

2-BAY MINI50 RIGHT ANGLE HEADER ASSEMBLY (P/N 34960-0200 SHOWN)

NOTES: VALID UNLESS OTHERWISE SPECIFIED

1. GENERAL:

a. CONNECTOR HEADER MUST BE VALIDATED TO THE FOLLOWING FUNCTIONAL REQUIREMENTS:

PRODUCT SPECIFICATION: PS-34959-001

b. APPLICATION REQUIREMENTS (REFERENCE ONLY):

APPLICATION SPECIFICATION: AS-34959-001

c. PACKAGING SPECIFICATION PER MOLEX DRAWING PK-31302-070 (TRAY)

d. PACKAGING SPECIFICATION PER MOLEX DRAWING PK-31301-688 (TUBE)

2. DESIGN: MATERIALS:

a. SHROUD (PLASTIC HOUSING):

RESIN - SPS 30%GF

COLOR:

POL A - BLACK

POL B - GRAY

POL C - DARK GREY

b. PIN ALIGNMENT PLATE:

RESIN - SPS 30%GF

COLOR: BLACK

c. 0.50mm BLADES:

BASE MATERIAL: C26800

PLATING TYPE: AS NOTED

d. 1.20mm BLADES:

BASE MATERIAL: C26800

PLATING TYPE: AS NOTED

3. PLATING REQUIREMENTS:

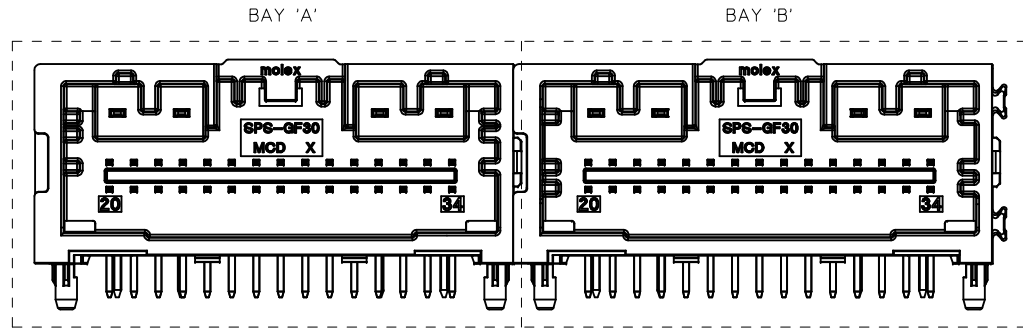
a. UNDERPLATING - OVERALL NICKEL

b. OVERPLATING - OVERALL REFLOW TIN

4. FOR DESCRIPTION OF INDIVIDUAL BAYS, REFER TO THE FOLLOWING

SINGLE BAY DRAWINGS:

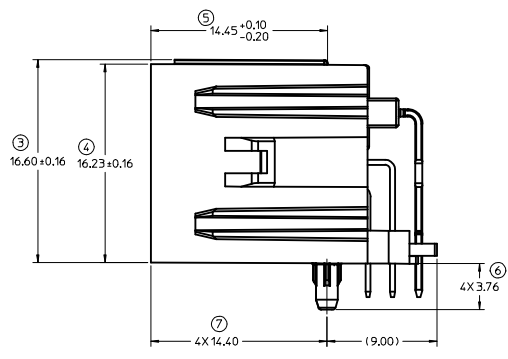
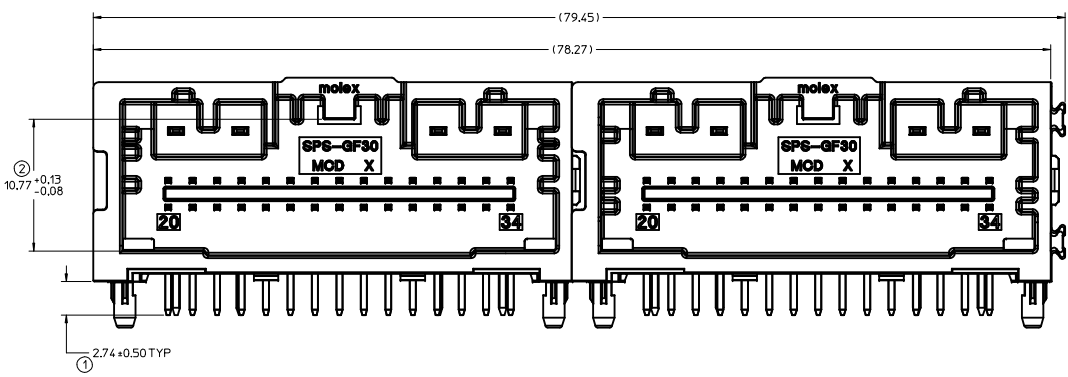
SD-34961-030



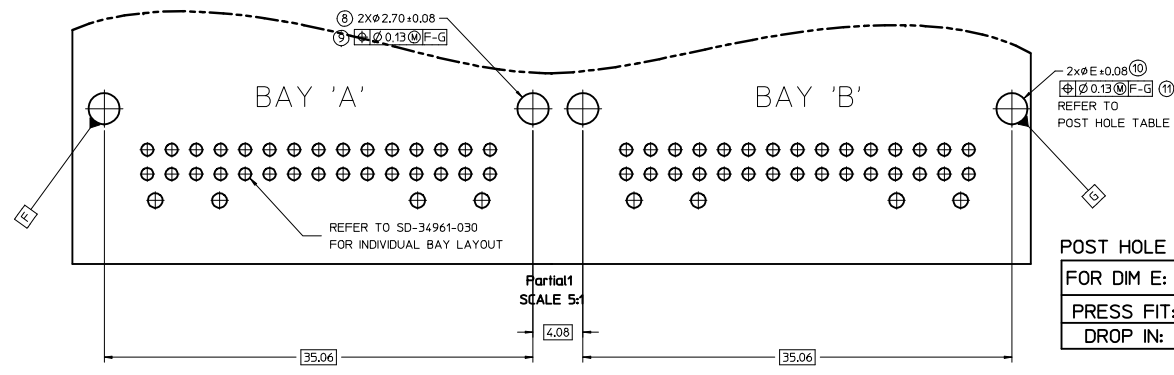
DIMENSIONAL CHART FOR MULTIBAY CONFIGURATION:

2 BAY PART NUMBER (TUBE PKG)	2 BAY PART NUMBER (TRAY PKG)	BAY A			BAY B		
		CKT	TYPE	POL	CKT	TYPE	POL
TBD	34960-0200	34	HYBRID	A	34	HYBRID	B
TBD	34960-0210	38	0.50mm	A	38	0.50mm	B
TBD	34960-0220	34	HYBRID	A	38	0.50mm	B
TBD	34960-0230	38	0.50mm	A	34	HYBRID	B
TBD	34960-0240	38	0.50mm	B	38	0.50mm	A

ENTER DESCRIPTION IEC NO: UAU2017-0815 DRAWN: J FISCHER01 2017/03/14 CHKD: APPR: RBAUMAN 2017/03/21 REV:	QUALITY SYMBOLS ▽=0 ▽=0 ▽=0	GENERAL TOLERANCES (UNLESS SPECIFIED)		DIMENSION STYLE MM ONLY		SCALE 5:1	DESIGN UNITS METRIC	THIRD ANGLE PROJECTION
		mm INCH		DRAWN BY DATE JF FISCHER01 2014/03/25				
		4 PLACES ±--- ±--- 3 PLACES ±--- ±--- 2 PLACES ±--- ±--- 1 PLACE ±--- ±--- 0 PLACE ±--- ±---		CHECKED BY DATE				
		ANGULAR ±---°		APPROVED BY DATE RBAUMAN 2014/03/31				
DRAFT WHERE APPLICABLE MUST REMAIN WITHIN DIMENSIONS				MATERIAL NO. SEE CHART		TITLE 34 & 38 CKT MINI50 2-BAY R/A HEADER ASSEMBLY SALES DRAWING		
				DOCUMENT NO. SD-34960-0200		SHEET NO. 1 OF 2		

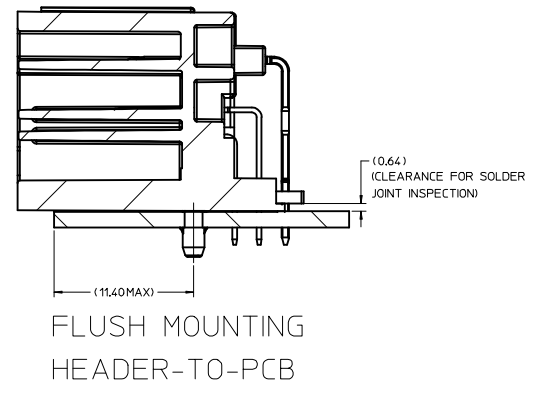


RECOMMENDED PCB LAYOUT



POST HOLE TABLE:
FOR DIM E:

PRESS FIT:	2.30
DROP IN:	2.65



DIN 16901	CODE LETTER	NOMINAL DIMENSION RANGE												
		OVER	0	1	3	6	10	15	22	30	40	53	70	90
PRECISION ENGINEERING	A	+0.10	+0.12	+0.14	+0.16	+0.20	+0.22	+0.24	+0.26	+0.28	+0.31	+0.35	+0.40	+0.50
	B	+0.05	+0.06	+0.07	+0.08	+0.10	+0.12	+0.14	+0.16	+0.18	+0.21	+0.25	+0.30	+0.40

A: FOR NON-MOLD RELATED DIMENSIONS (ACROSS PARTING LINE)
B: FOR MOLD RELATED DIMENSIONS (WITHIN MOLD COMPONENTS)

ENTER DESCRIPTION EIC NO. UAU2017-0815 DRAWN BY JFISCHER01 DATE 2017/03/14 CHKD: RBAUMAN APPR: RBAUMAN DATE 2017/03/21	QUALITY SYMBOLS ∇=0 ∇=0 ∇=0	GENERAL TOLERANCES (UNLESS SPECIFIED) mm INCH 4 PLACES ± --- ± --- 3 PLACES ± --- ± --- 2 PLACES ± --- ± --- 1 PLACE ± --- ± --- 0 PLACE ± --- ± ---	DIMENSION STYLE MM ONLY DRAWN BY DATE JFISCHER01 2014/03/25 CHECKED BY DATE APPROVED BY DATE RBAUMAN 2014/03/31	SCALE 5:1 DESIGN UNITS METRIC THIRD ANGLE PROJECTION	TITLE 34 & 38 CKT MIN50 2-BAY R/A HEADER ASSEMBLY SALES DRAWING molex	MATERIAL NO. SEE CHART	DOCUMENT NO. SD-34960-0200	SHEET NO. 2 OF 2
	THIS DRAWING CONTAINS INFORMATION THAT IS PROPRIETARY TO MOLEX INCORPORATED AND SHOULD NOT BE USED WITHOUT WRITTEN PERMISSION							