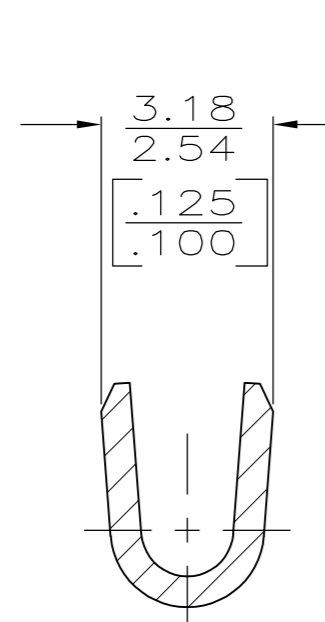
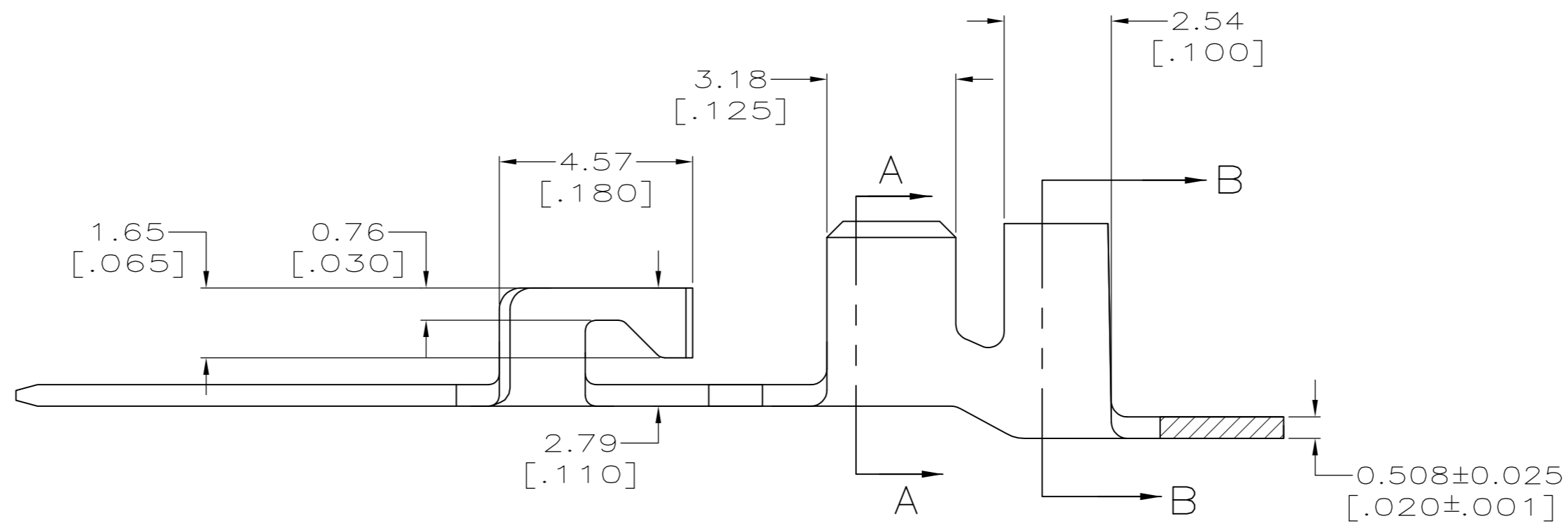
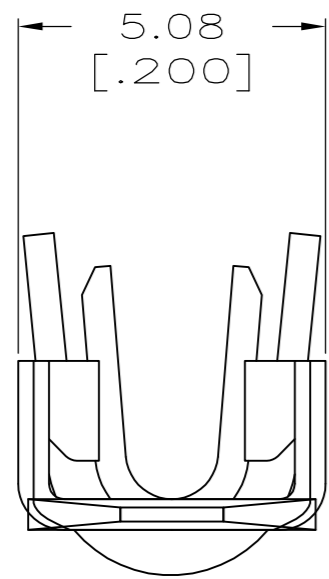
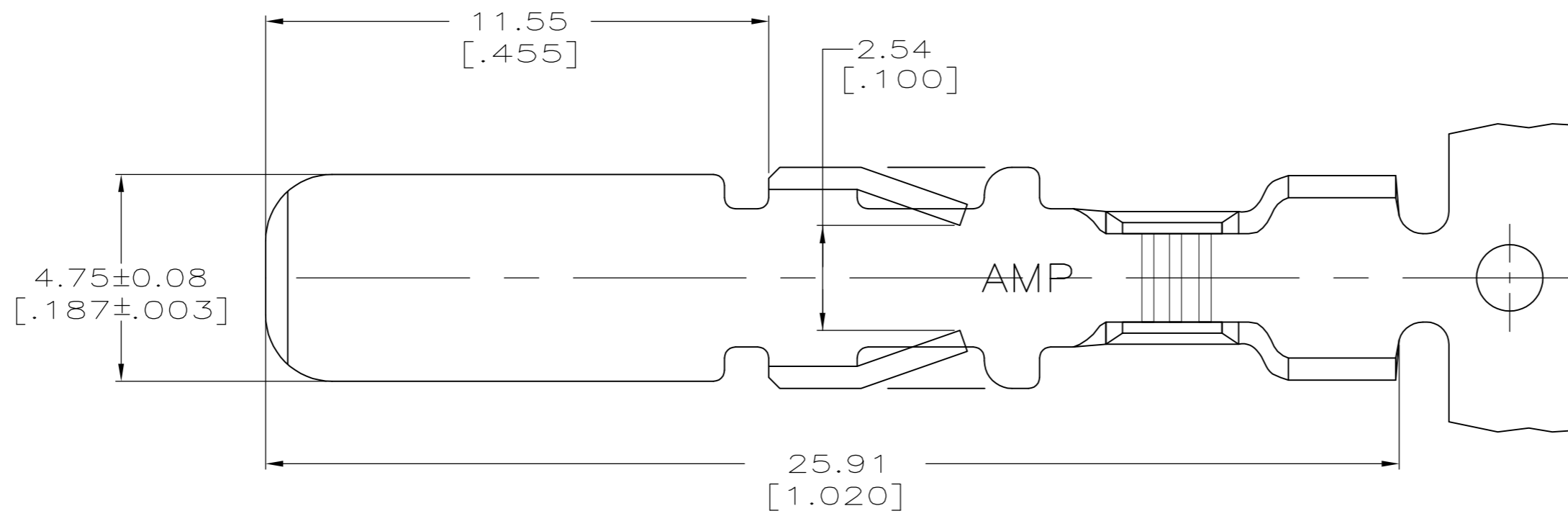


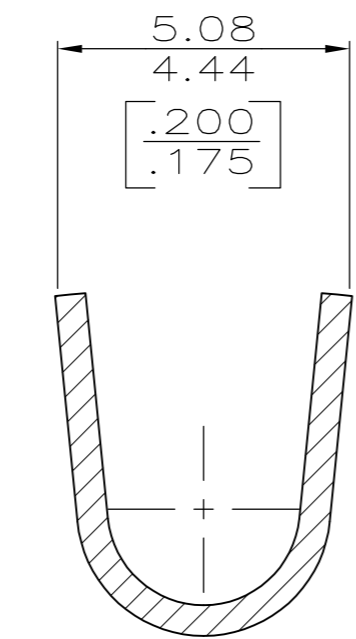
THIS DRAWING IS UNPUBLISHED. RELEASED FOR PUBLICATION
 © COPYRIGHT - By - ALL RIGHTS RESERVED.

LOC		DIST		REVISIONS			
P	LTR	DESCRIPTION		DATE	DWN	APVD	
AF	50	D1	REVISED PER ECR-12-019658		23NOV12	KH	GJ

- 1 CONTINUOUS STRIP ON REEL.
- △2 INSULATION DIAMETER 3.12[.123] MAXIMUM
- △3 WIRE SIZE 0.5 - 1.3 mm² [#20 - #16 AWG]



SECTION A-A



SECTION B-B

△2	△3	1217716-1
INSULATION RANGE	WIRE RANGE	PART NUMBER

THIS DRAWING IS A CONTROLLED DOCUMENT.		DWN	JR RUTH	27SEP01	 TE Connectivity
DIMENSIONS: mm [INCHES]		CHK	D.F. DECKER	27SEP01	
TOLERANCES UNLESS OTHERWISE SPECIFIED:		APVD	D.F. DECKER	27SEP01	
0 PLC ± - 1 PLC ± - 2 PLC ± 0.25 [.010] 3 PLC ± - 4 PLC ± - ANGLES ± -		PRODUCT SPEC	NAME		
MATERIAL: BRASS		FINISH	POST PLATED TIN		APPLICATION SPEC
WEIGHT		-		SIZE	A2
CUSTOMER DRAWING		SCALE	8:1	CAGE CODE	00779
		DRAWING NO	C=1217716		RESTRICTED TO
		SHEET	1 of 1		REV
					D1