

NOTES:

1. MATERIALS AND FINISHES:

BODY - BRASS - TIN PLATED
 CONTACT - BeCu - BRIGHT TIN PLATED
 FERRULE - BRASS - TIN PLATED
 INSULATOR - POLYPROPYLENE

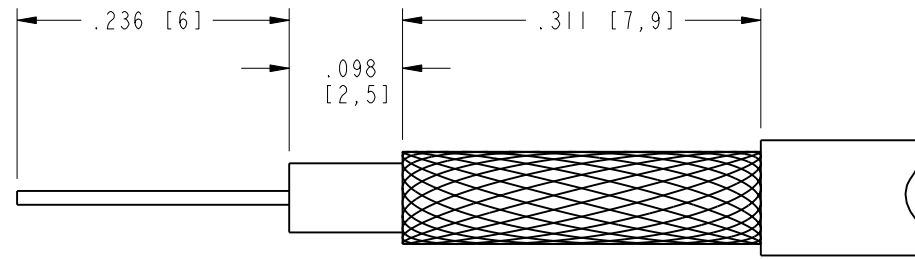
2. ELECTRICAL:

A. IMPEDANCE = 75 OHMS, NOMINAL
 B. VSWR [RETURN LOSS] (DC-1.0 GHz) = 1.25 : 1 MAX. [19.1 dB]
 (1.0-1.5 GHz) = 2.0 : 1 MAX. [9.5 dB]
 C. INSERTION LOSS (DC-1.0 GHz) = 0.10 dB MAX.
 (1.0-1.5 GHz) = 0.55 dB MAX.
 D. DIELECTRIC WITHSTANDING VOLTAGE = 1500 VRMS
 E. INSULATION RESISTANCE = 500 MEGOHMS MIN.

3. PHYSICAL:

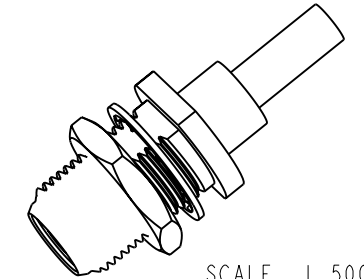
A. OPERATING TEMPERATURE = -40°F TO +140°F (-40°C TO +60°C)
 B. CENTER CONTACT TO ACCEPT Ø.022 TO Ø.042 PIN [Ø0.56 TO Ø1.07]
 C. INTERFACE IS COMPATIBLE WITH SCTE IPS-SP-401 "F" PLUGS

531-40078-1		REVISIONS			
DRAWING NO.	REV	DESCRIPTION	DATE	ECO	APPR
THIRD ANGLE PROJ.	A	RELEASE TO MFG	5/9/01	43761	CPM
	B	SEE SHEET 1	6/20/05	45590	CPM

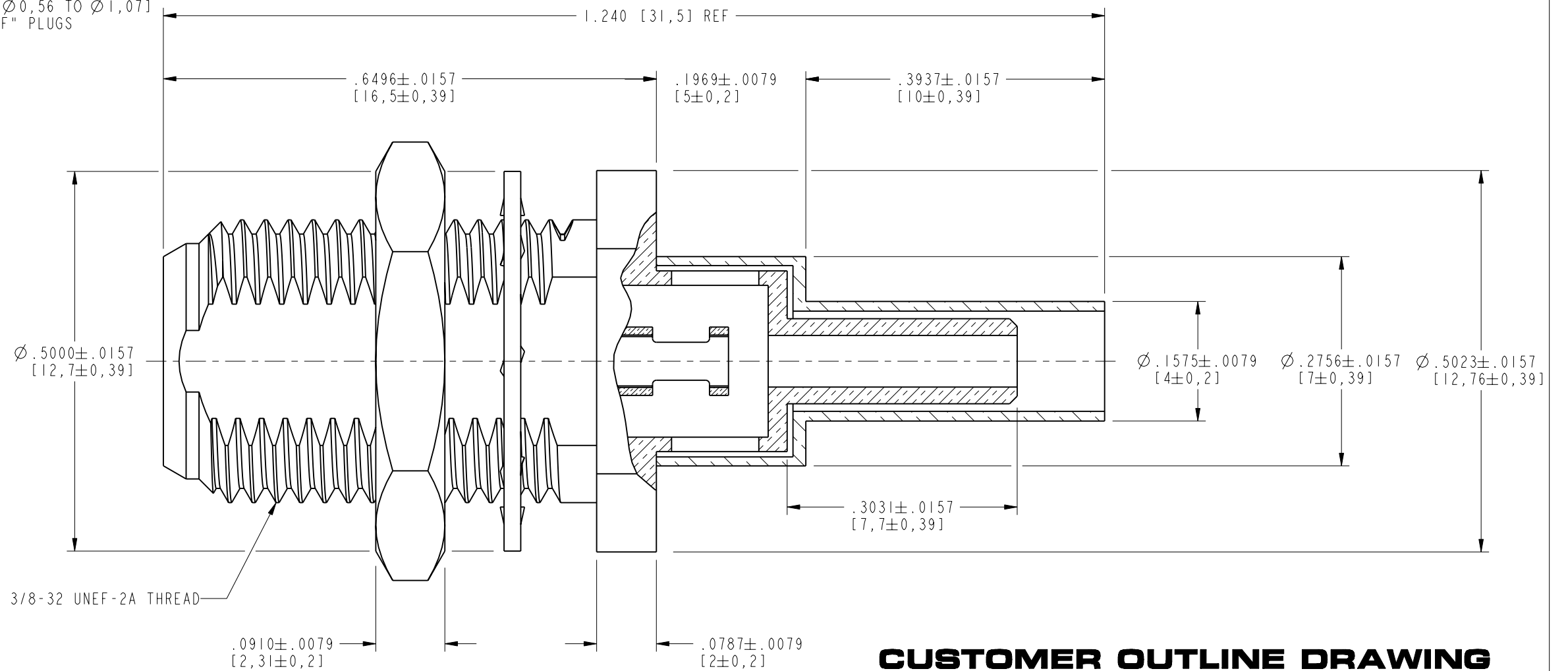
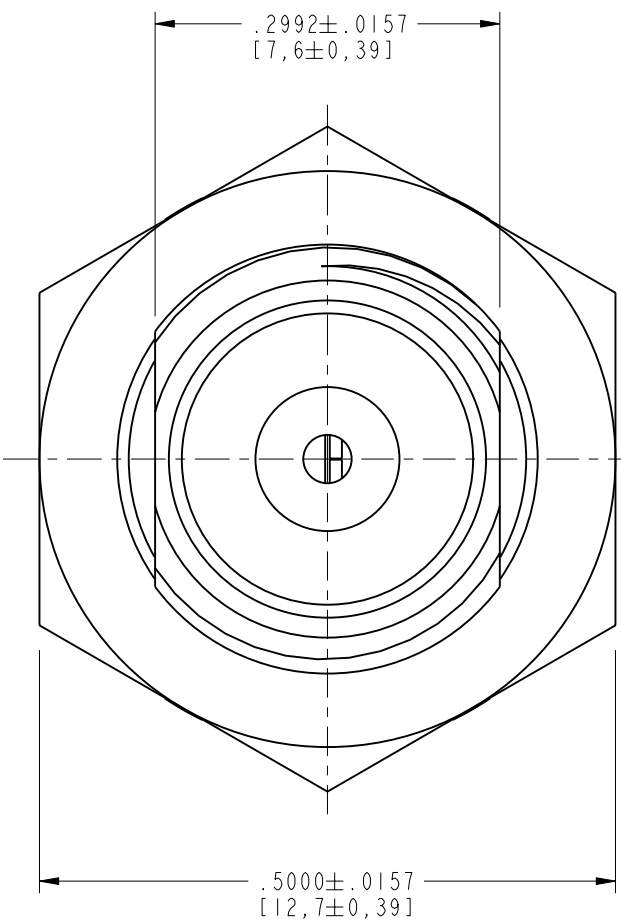


SCALE 6.000

RECOMMENDED CABLE STRIPPING DIMENSIONS



SCALE 1.500



CUSTOMER OUTLINE DRAWING
 ALL OTHER SHEETS ARE FOR INTERNAL USE ONLY

UNLESS OTHERWISE SPECIFIED, DIMENSIONS ARE IN INCHES AND TOLERANCES ARE: 2 PLACE DECIMAL ±.015 (0,381 mm) 3 PLACE DECIMAL ±.005 (0,127 mm) ANGLES ± 1°	MATERIAL	DRAWN C. McGRATH	DATE 5/9/01	TITLE 'F' RECEPTACLE, CRIMP TYPE, STRAIGHT FOR RG-179, W/ HARDWARE	Amphenol RF Danbury, CT, USA Tainan, Taiwan Shenzhen, China www.amphenolrf.com
	REFERENCE EAR 967494-0 GEN# ASSYF10_F	ENGINEER V. NGUYEN	DATE 5/9/01		
NOTICE - These drawings, specifications, or other data (1) are, and remain the property of Amphenol Corp. (2) must be returned upon request; and (3) are confidential and not to be disclosed to any person other than those to whom they are given by Amphenol Corp. The furnishing of these drawings, specifications, or other data by Amphenol Corp., or to any other person to anyone for any purpose is not to be regarded by implication or otherwise in any manner licensing, granting rights or permitting such holder or any other person to manufacture, use or sell any product, process or design, patented or otherwise, that may in any way be related to or disclosed by said drawings, specifications, or other data.	APPROVED O. BARTHELMES	DATE 5/9/01	SCALE: 6.0:1 SHEET 2 OF 2		
	CAD FILE I:\CATV\F&G\531-40078-1	CODE ID 74868	DWG SIZE B	DRAWING NO. 531-40078-1	REV B