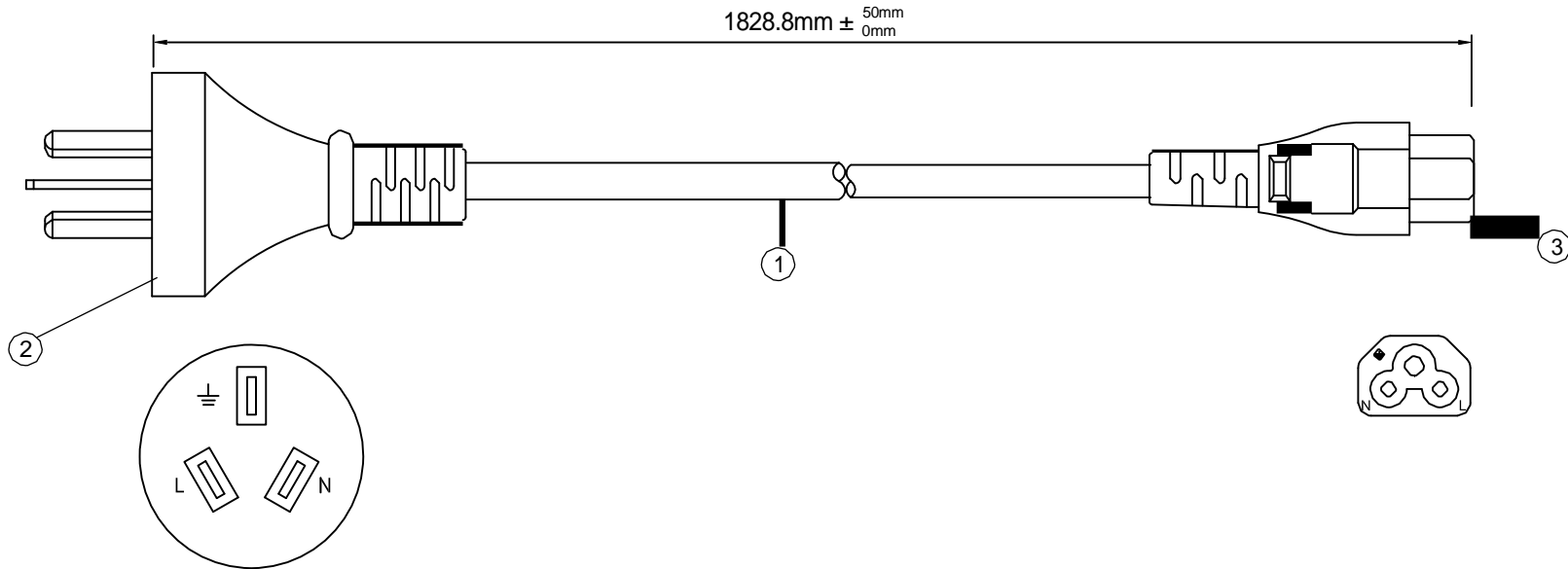


THESE DRAWINGS ARE THE PROPERTY OF QUALTEK ELECTRONICS AND NOT TO BE REPRODUCED FOR OR COMMUNICATED TO A THIRD PARTY WITHOUT THE EXPRESS WRITTEN PERMISSION OF AN OFFICER OF QUALTEK ELECTRONICS.

REVISION			
REV.	DESCRIPTION	DATE	APPROVED



**CONTROLLED**

NOTES:

1. CORDAGE: RVV, 3x0.75mm, <sup>2</sup> UNSHIELDED CEE COLOR CODE, TEMP. RATING: 70°C, RATING: 250V 2.5A, JACKET COLOR: BLACK
2. PLUG: GB 2099 GB 1002
3. CONNECTOR: IEC 60320 C5
4. APPROVALS: CCC
5. ROHS COMPLIANT

Dim range (mm)		Tolerance +/- (mm)		Qualtek Electronics Corp. PPC DIVISION		
0-1	0.15	Part Number: 399014-01		RoHS Compliant		
1-6	0.20	Description: POWER CORD				
6-18	0.30	RFQ# 2677B	UNIT: mm			
18-50	0.50	Drawn / Date	Checked / Date	Approved / Date		
50-120	0.70	R. Nuti 07-29-13	07-29-13	LY / 07-29-13		
120-250	0.90					
250-500	1.20					