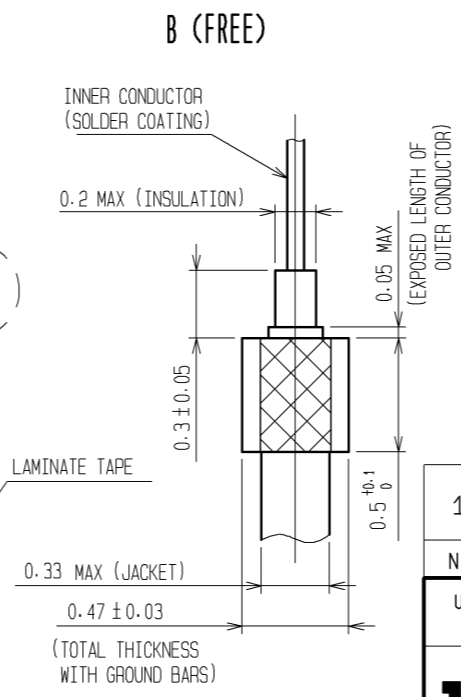
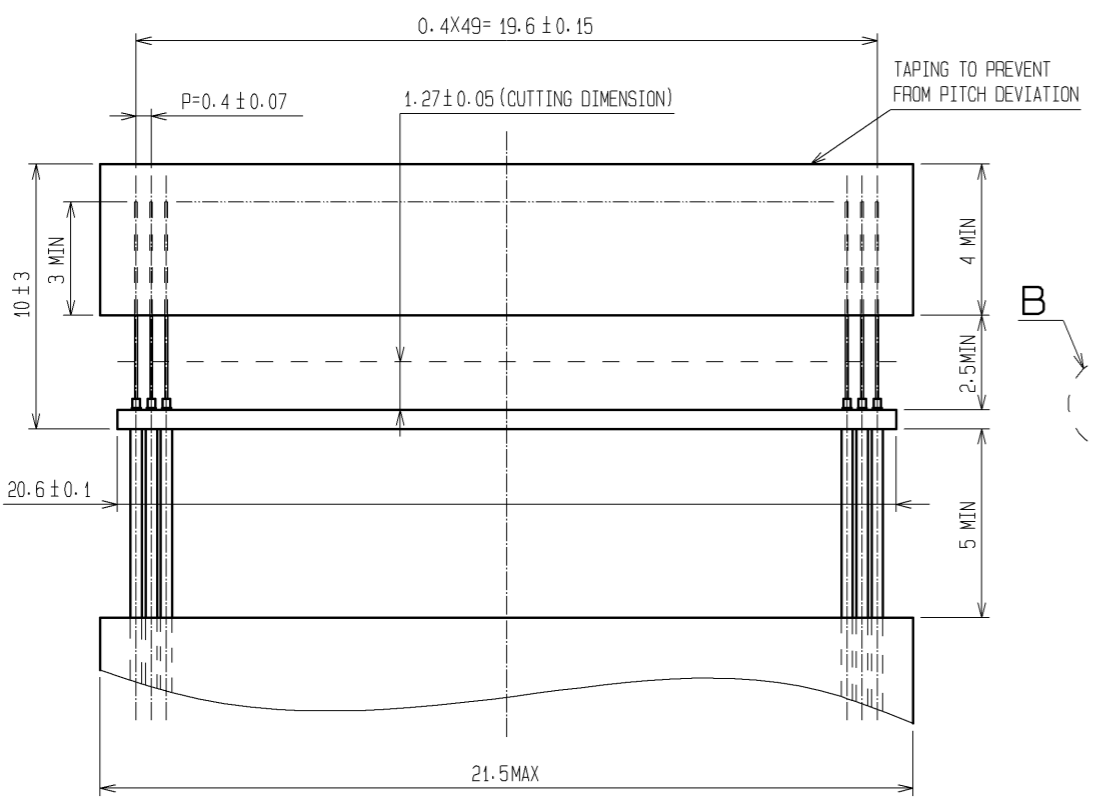
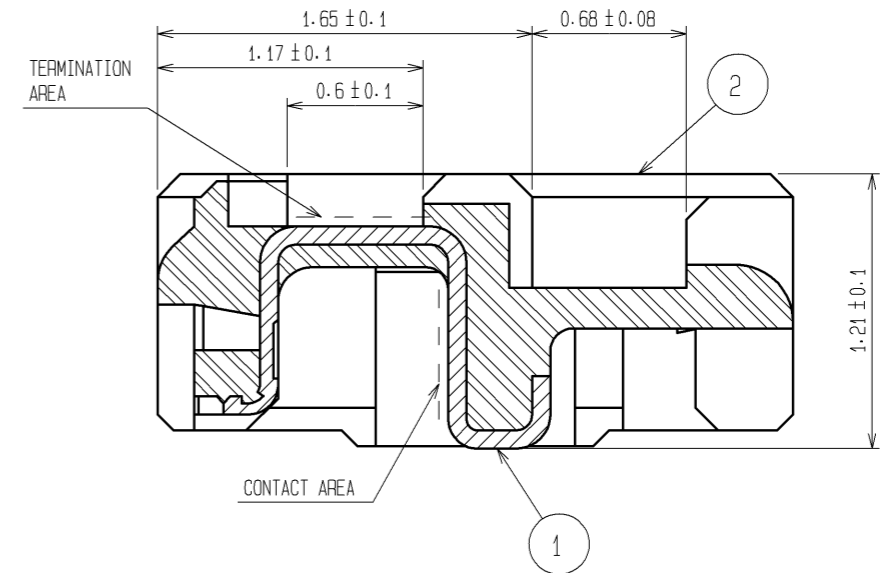


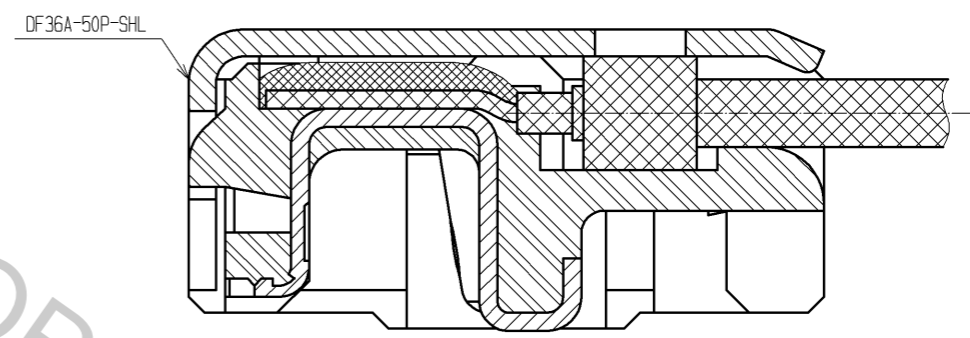
RECOMMENDED CABLE SUBASSEMBLY



A-A (FREE)



CABLE TERMINATION FIGURE (FREE)



- NOTES 1. APPLICABLE CABLE: THIN COAXIAL CABLE (AWG#42-AWG#46)  
 2. THIS CONNECTOR IS NOT HOT PLUGGABLE. MATE AND UNMATE WHILE THE POWER IS OFF.  
 3. THE ASSEMBLY IS COMPLETED BY COMBINING TWO PARTS (CONNECTOR UNIT, AND METAL SHIELDING). REFER TO THE TABLE FOR EACH ITEM No., PART NAME, PART No. AND CODE No.

ITEM No.	PART NAME	PART No.	CODE No.
1,2	CONNECTOR UNIT	DF36-50P-0.4SD(55)	CL662-4044-3-55
-	METAL SHIELDING	DF36A-50P-SHL	CL662-4045-6-00

5	PS	BLACK
4	POLYESTER	CLEAR
3	PS	CLEAR

NO.	MATERIAL	FINISH	REMARKS	NO.	MATERIAL	FINISH	REMARKS
1	PHOSPHOR BRONZE	CONTACT AREA : GOLD PLATING 0.1µm min TERMINATION AREA : GOLD PLATING 0.1µm min UNDER PLATING : NICKEL PLATING 1µm min		2	LCP		UL94V-0, BLACK

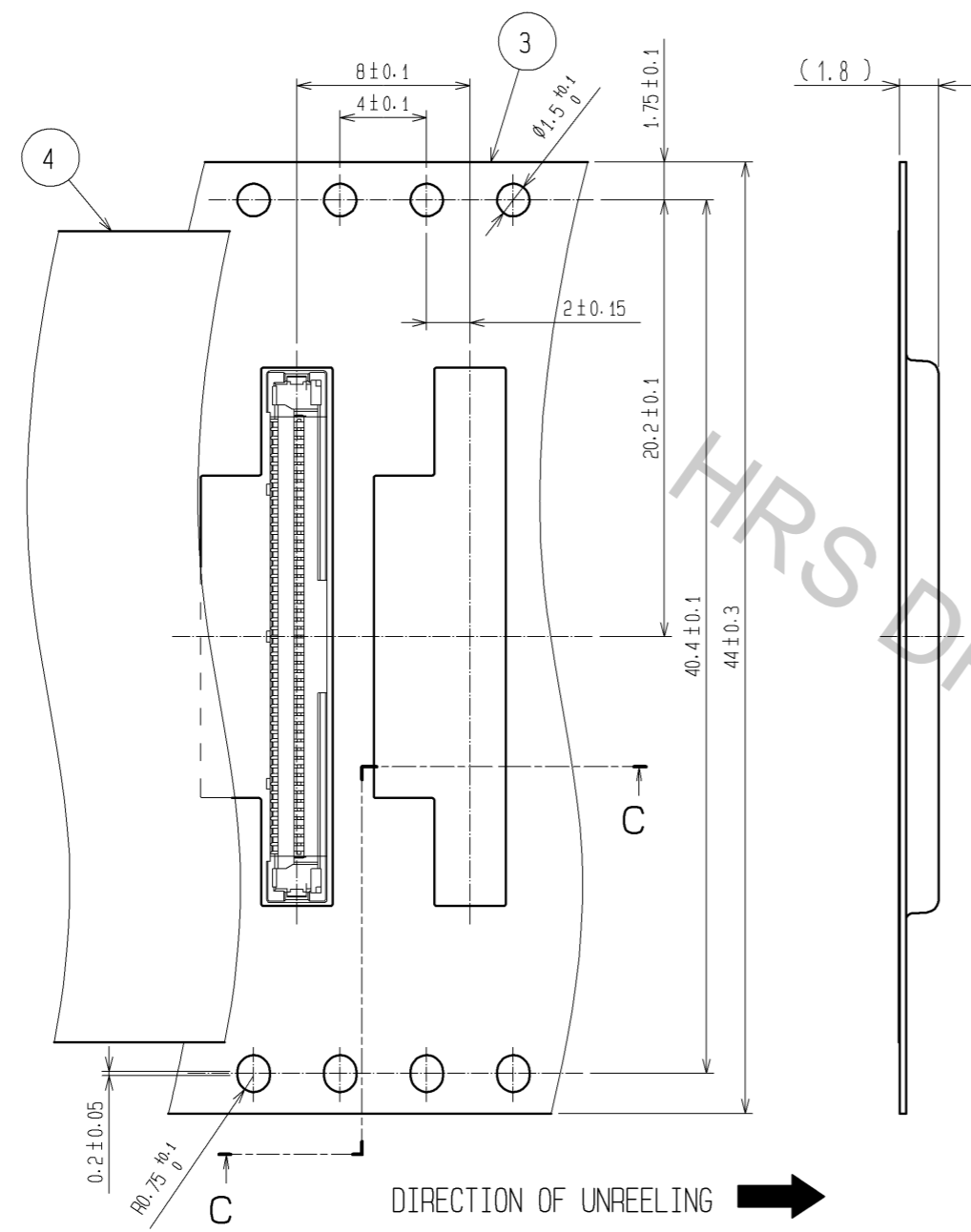
UNITS	SCALE	COUNT	DESCRIPTION OF REVISIONS	DESIGNED	CHECKED	DATE
mm	5 : 1	△				

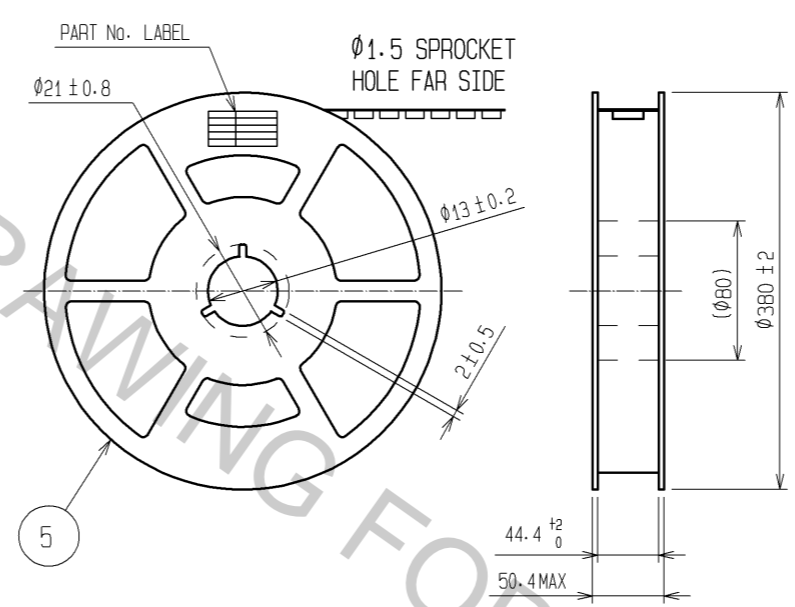
APPROVED : MH. YAMANE	14.07.18	DRAWING NO.	EDC3-320559-02
CHECKED : MH. TSUCHIDA	14.07.17	PART NO.	DF36-50P-0.4SD(55)
DESIGNED : AH. MIYAZAKI	14.07.16	CODE NO.	CL662-4044-3-55
DRAWN : AH. MIYAZAKI	14.07.16		

1 2 3 4 5 6 7 8

A  
B  
C  
D  
E  
F



STYLE AND DIMENSION OF REEL (FREE)

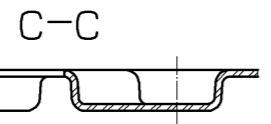


DETAIL OF PART No. LABEL

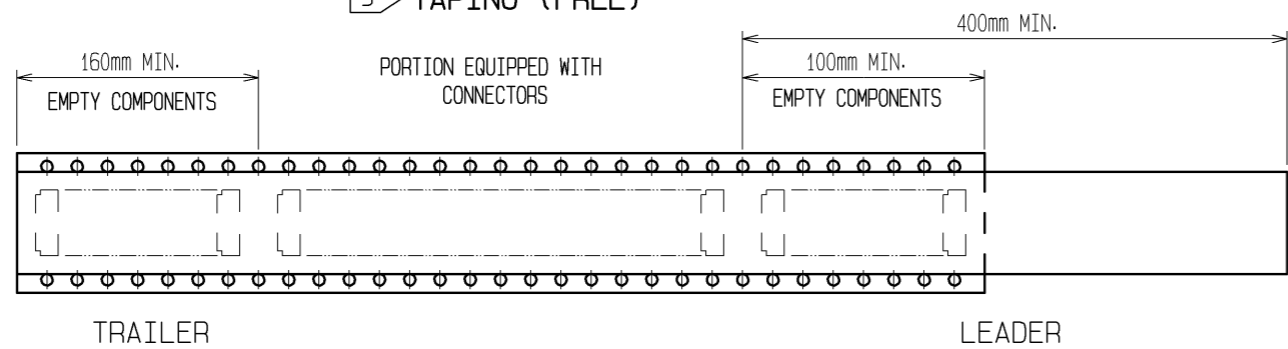
生産月日	年 月 日
製品コード	CL662-4044-3-55
製品名	DF36-50P-0.4SD(55)
納入数量	500pcs
納入者	ヒロセ電機(株)

\_\_\_\_\_ SUPPLIER  
 \_\_\_\_\_ QUANTITY  
 \_\_\_\_\_ PART No.  
 \_\_\_\_\_ CODE No.  
 \_\_\_\_\_ DATE OF MANUFACTURED

DIRECTION OF UNREELING →



5 TAPING (FREE)



NOTES 4. PER REEL: 500 COMPONENTS  
 5 REFER TO JIS C 0806. (PACKAGING OF COMPONENTS FOR AUTOMATIC HANDLING)  
 6. THE DIMENSIONS IN PARENTHESES ARE FOR REFERENCE.

<b>HRS</b>	DRAWING NO.	EDC3-320559-02
	PART NO.	DF36-50P-0.4SD(55)
	CODE NO.	CL662-4044-3-55
		△ 2/2