

NOTES:

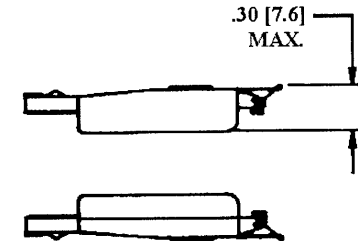
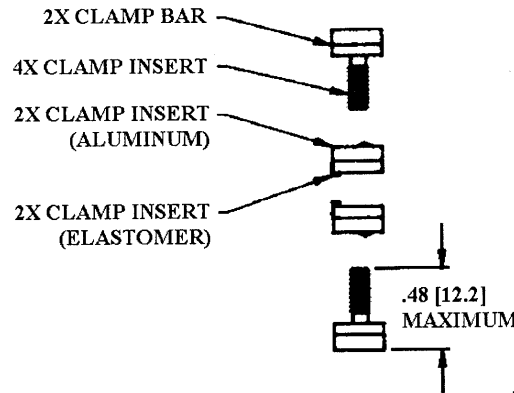
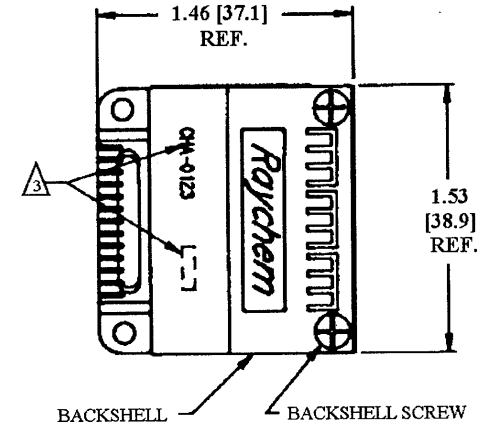
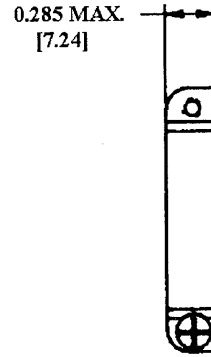
1. MATERIAL:

- A) BACKSHELL COPPER ALLOY 172 PER QQ-A-533
- B) BACKSHELL SCREW STAINLESS STEEL PER QQ-S-763, 300 SERIES
- C) CLAMP BAR STAINLESS STEEL PER QQ-S-763, 300 SERIES
- D) CLAMP INSERT SILICONE ELASTOMER PER MIL-R-25988
(ELASTOMER)
- E) CLAMP SCREW STAINLESS STEEL PER QQ-S-763, 300 SERIES
- F) CLAMP INSERT ALUMINUM ALLOY 6061-T6 PER QQ-A-225
(ALUMINUM)

2. FINISH:

- A) BACKSHELL CADMIUM PLATED PER QQ-P-416
- B) BACKSHELL SCREW CADMIUM PLATED PER QQ-P-416
- C) CLAMP BAR CADMIUM PLATED PER QQ-P-416
- D) CLAMP SCREW CADMIUM PLATED PER QQ-P-416
- E) CLAMP INSERT CADMIUM PLATED PER QQ-P-416
(ALUMINUM)

3. RAYCHEM PART NUMBER CHA-0123 AND DATE CODE ARE STAMPED APPROXIMATELY AS SHOWN. SEE TABULATION FOR PART NUMBERS.



SPECIFICATION CONTROL DRAWING © Raychem Corporation 1986

UNLESS OTHERWISE SPECIFIED DIMENSIONS ARE IN INCHES. METRIC DIMENSIONS ARE IN BRACKETS.	DESIGN	A.A.	12-4-85	Raychem <small>NATIONAL OPERATING DIVISION OF THE GENERAL ELECTRIC COMPANY</small>
	CHECKED	J.B.		
	APPROVED	J.BLAIR	12-9-85	
	APPROVED			
DECIMALS	CAD NAME			TITLE BACKSHELL, RECEPTACLE, EME WRAP AROUND SHIELD, 1", CADMIUM PLATED MTC SERIES
.XXX ± .005 [.13mm]	CHA-0123.PCX			
.XX ± .02 [.5mm]	THIRD ANGLE PROJECTION			REV C CODE 08090 DISC. NO. CHA-0123 SHEET 1 OF 1
ANGLES	WEIGHT:			
.X ±	17.6 GRAMS MAX.			

If this document is printed it becomes uncontrolled. Check with the web for latest revision.

CHA-0123