

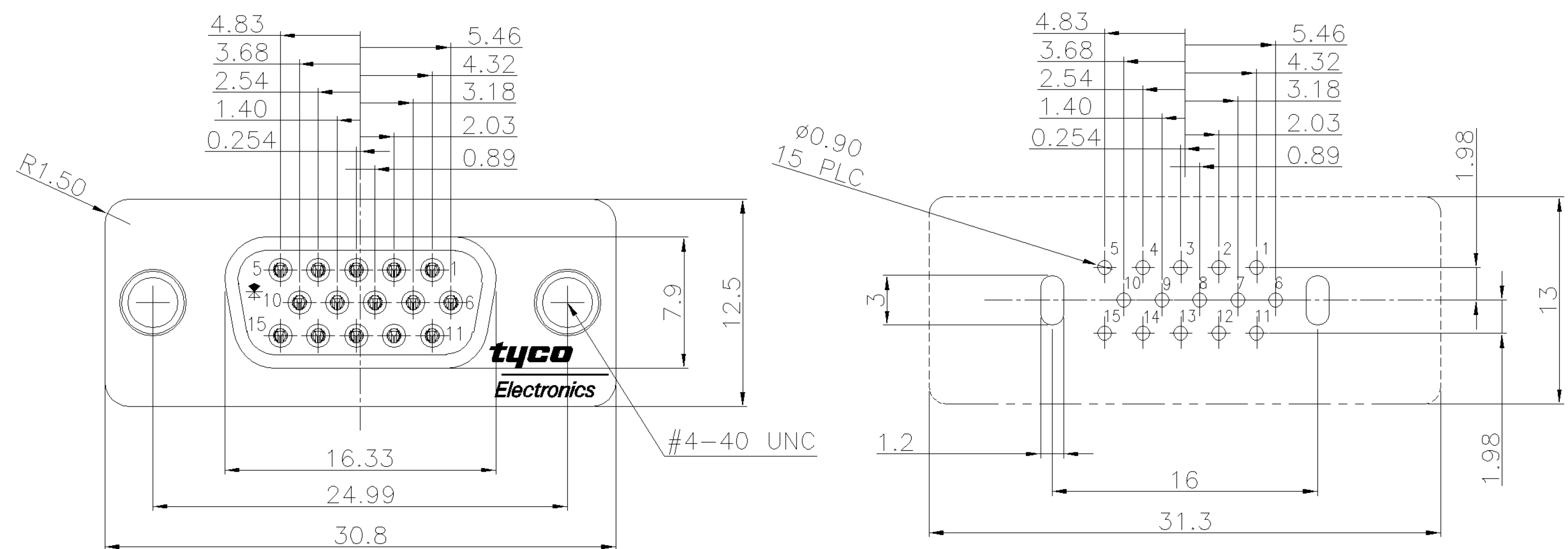
NUMBER C-1734608

3RD ANGLE PROJECTION

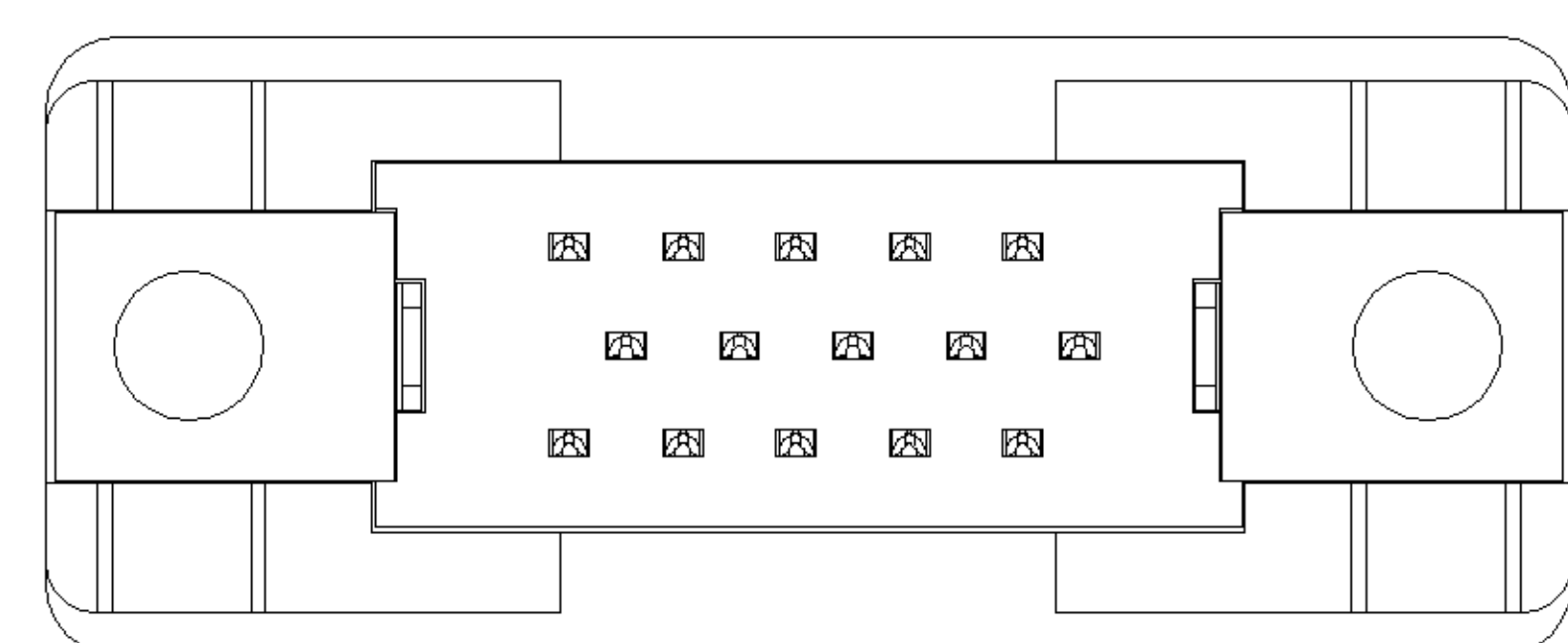
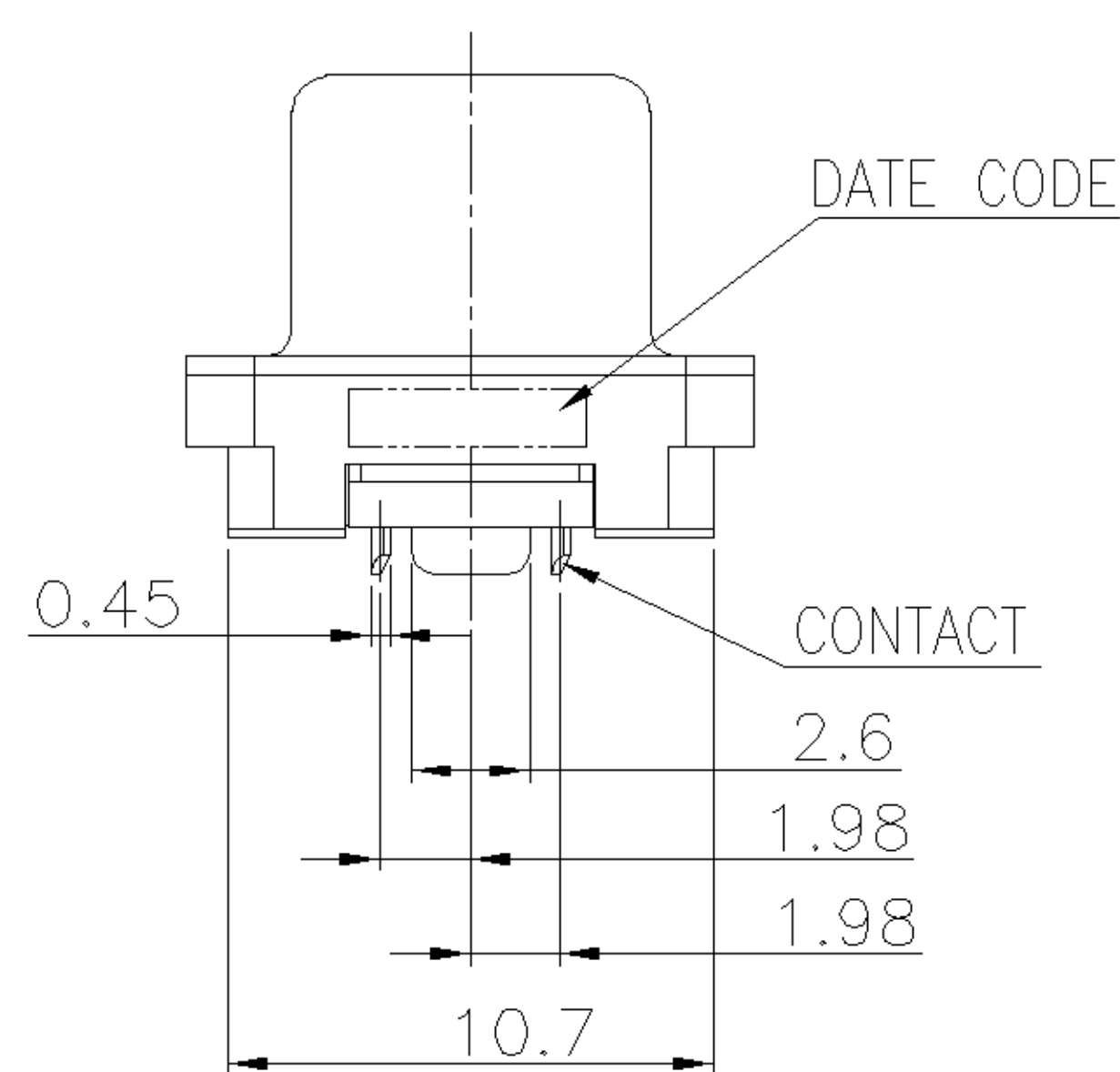
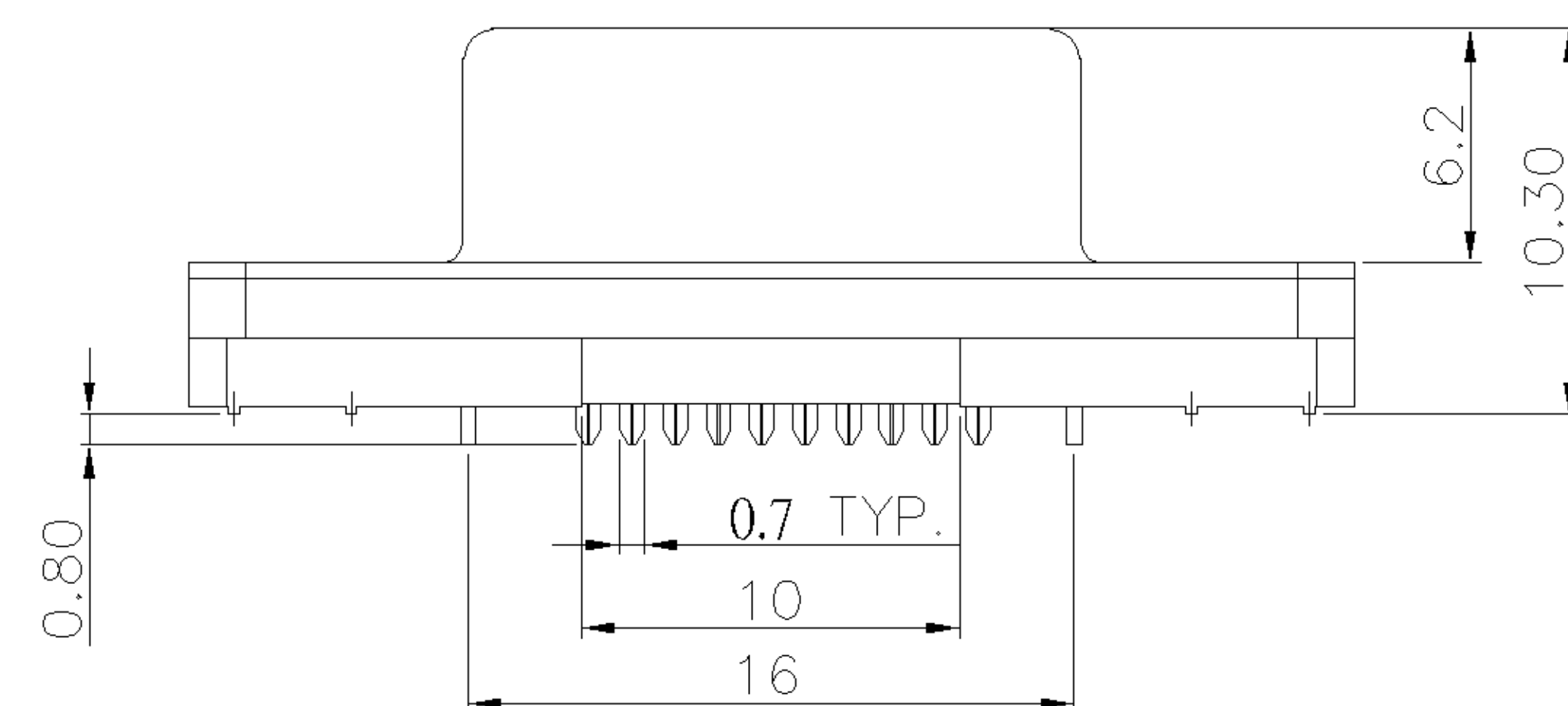
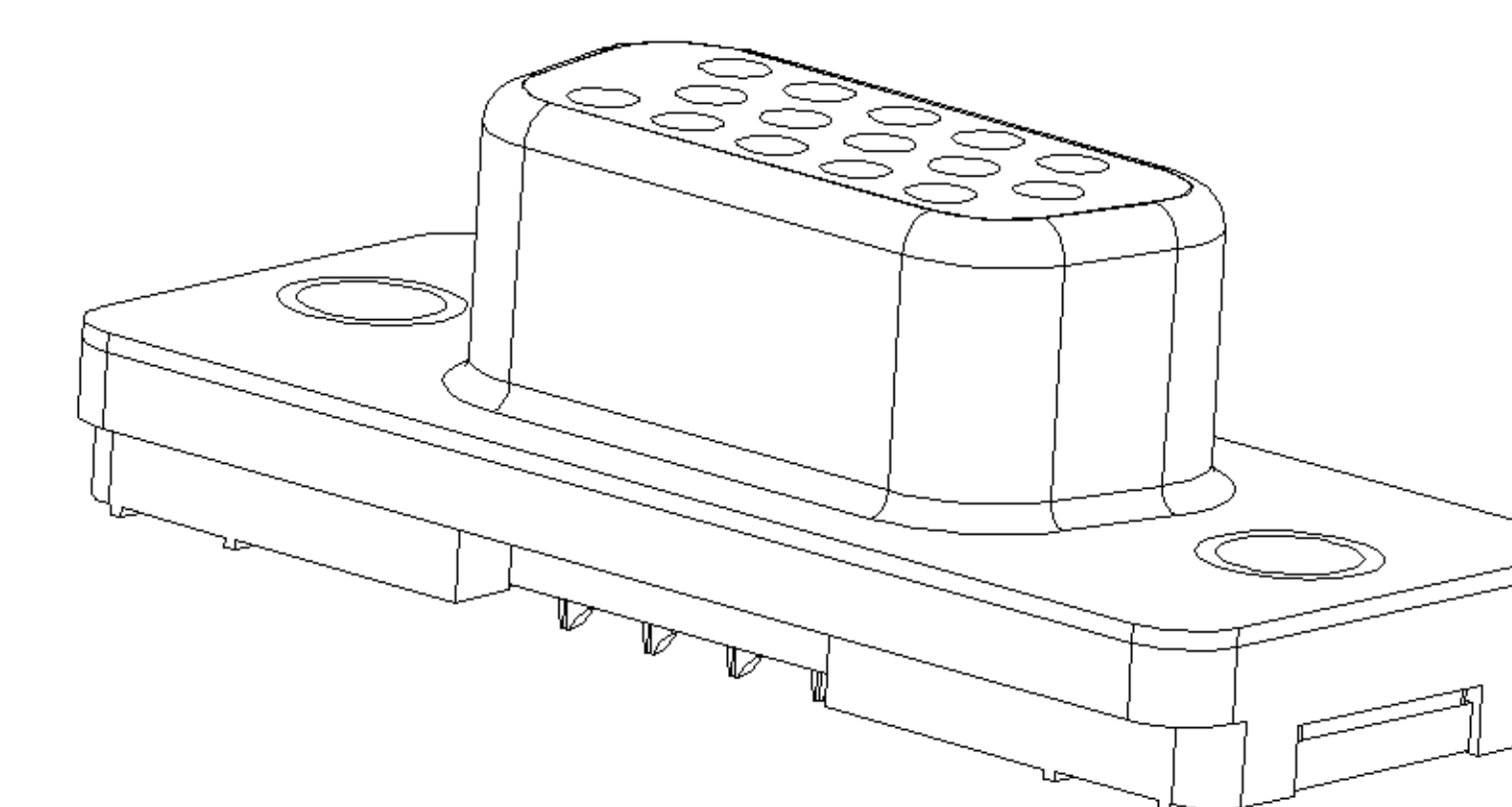
METRIC

THIS INFORMATION IS CONFIDENTIAL AND IS DISCLOSED TO YOU ON CONDITION THAT NO FURTHER DISCLOSURE IS MADE BY YOU TO OTHER THAN AMP PERSONNEL WITHOUT WRITTEN AUTHORIZATION FROM AMP (TAIWAN) LTD. DIMENSIONS IN MILLIMETERS. DO NOT SCALE PRINT.

PRINT DIST DW



RECOMMENDED PCB LAYOUT THICKNESS=1.20mm
TOLERANCE ±0.05mm



NOTES:

1. MATERIAL:
 - 1.1. HOUSING&COVER: HIGHT TEMP,THERMO PLASTIC UL94V-0, COLOR: BLACK
 - 1.2. CONTACT: PHOSPHOR BRONZE
 - 1.3. SHELL: CARBON STEEL
 - 1.4. THREAD INSERT: BRASS
2. FINISH:
 - 2.1. CONTACT:15u"MIN GOLD PLATING ON CONTACT AREA, 100u"MATTE TIN ON SOLDER TAIL. 50~80u"NICKEL PLATING OVER ALL.
 - 2.2. SHELL:50~80u"NICKEL
 - 2.3. THREAD INSERT:50~80u"NICKEL
3. APPLIED TO IR SOLDERING PROCESS

1734608-1
PART NUMBER

A	REVISED	FZ00-0028-05	SH WK	06MAY 2005
O	FIRST RELEASED	FZ00-0265-04	SH WK	12NOV 2004
LTR	REVISION RECORD	ECN	DWN CHK	DATE

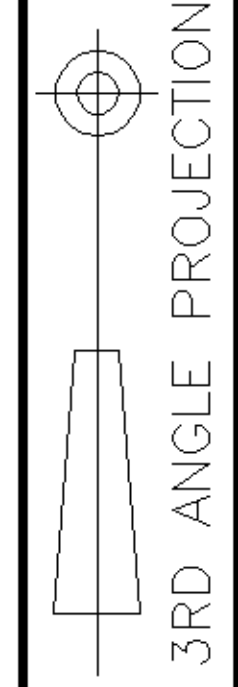
TOLERANCES UNLESS OTHERWISE SPECIFIED: 0 PLC ±0.30 1 PLC ±0.30 2 PLC ±0.30 3 PLC ±0.30 ANGLES ±3°		DWN S. HOU 06-MAY-2005	 TYCO HOLDINGS (BERMUDA) VII LTD. TAIWAN BRANCH
MATERIAL SEE NOTE		CHK W.J. KE 06-MAY-2005	
FINISH SEE NOTE		APVD W.J. KE 06-MAY-2005	NAME D-SUB 15P V/T, DIP TYPE
		PRODUCT SPEC 108-57283	LOC SIZE DRAWING NO DW A ₃ C-1734608
		QUALIFICATION TEST REPOERT 501-57312	REV A
		WEIGHT 4.45 GRAM	SCALE SHEET -- 1 OF 2

CUSTOMER DRAWING

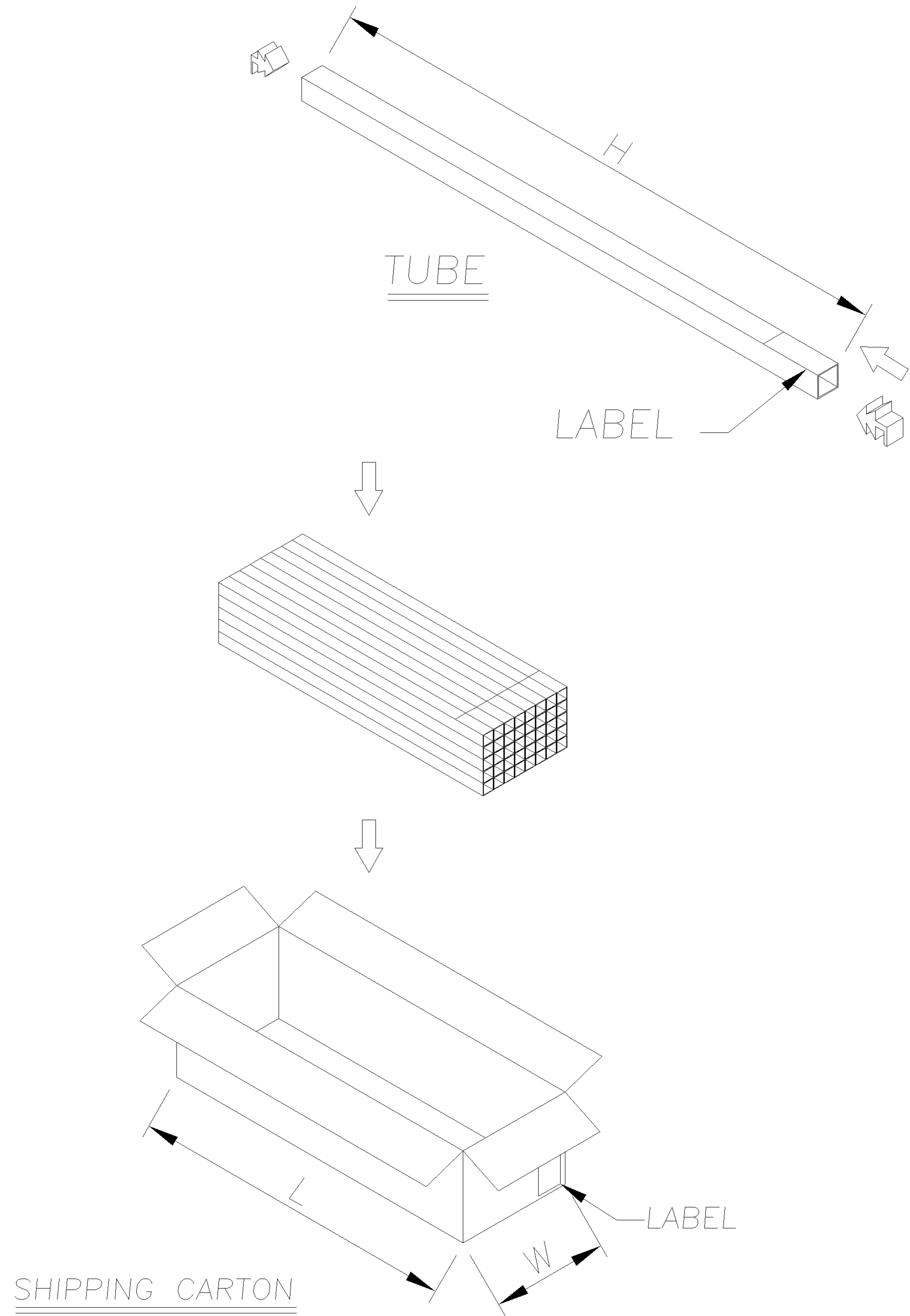
THIS INFORMATION IS CONFIDENTIAL AND IS DISCLOSED TO YOU ON CONDITION THAT YOU WILL NOT DISCLOSE IT TO OTHER THAN AMP PERSONNEL WITHOUT WRITTEN AUTHORIZATION FROM AMP (TAIWAN) LTD. DIMENSIONS IN MILLIMETERS. DO NOT SCALE PRINT.

PRINT DIST
DW

METRIC



NUMBER
C-1734608



- NOTE:
1. MATERIAL :
 - 1.1 TUBE : PVC
 - 1.2 SHIPPING CARTON : CORRUGATED FIBER
 2. DIMENSION:
 - 2.1 TUBE: L=16.9,W=14.5, H=510
 - 2.2 SHIPPING CARTON: L=525, W=160, H=125
 3. QUANTITY:
 - 3.1 PRIMARY PACKING: 15 PCS/TUBE
 - 3.2 SECONDARY PACKING: 72 TUBE/CARTON(1,080PCS)
 4. WEIGHT :
 - 4.1 NET WEIGHT : 4.80KG
 - 4.2 GROSS WEIGHT : 9.26KG

TOLERANCES UNLESS OTHERWISE SPECIFIED: 0 PLC ± 1 PLC ±0.3 2 PLC ±0.2 3 PLC ± ANGLES ±3'	DWN	S. HOU	TYCO HOLDINGS (BERMUDA) VII LTD. TAIWAN BRANCH	
		06-MAY-2005		
MATERIAL SEE NOTE	CHK	W.J. KE	NAME D-SUB 15P V/T, DIP TYPE	
		06-MAY-2005		
FINISH SEE NOTE	APVD	W.J. KE	LOC DW SIZE A ₃ DRAWING NO C-1734608 REV A	
		06-MAY-2005		
	PRODUCT SPEC		SCALE	
	APPLICATION SPEC		SHEET	
	WEIGHT		2 OF 2	

SEE SHEET 1				
LTR	REVISION RECORD	ECN	DWN CHK	DATE