

EC centrifugal fan

forward curved, single inlet

with housing (flange)

ebm-papst Mulfingen GmbH & Co. KG

Bachmühle 2 · D-74673 Mulfingen

Phone +49 7938 81-0

Fax +49 7938 81-110

info1@de.ebmpapst.com

www.ebmpapst.com

Limited partnership · Headquarters Mulfingen

County court Stuttgart · HRA 590344

General partner Elektrobau Mulfingen GmbH · Headquarters Mulfingen

County court Stuttgart · HRB 590142

Nominal data

Type	G3G120-BB13-02	
Motor	M3G055-BD	
Phase		1~
Nominal voltage	VAC	115
Frequency	Hz	50/60
Type of data definition		ml
State		prelim.
Speed	min ⁻¹	2320
Power input	W	46
Current draw	A	0.70
Min. back pressure	Pa	0
Min. ambient temperature	°C	-25
Max. ambient temperature	°C	60

ml = max. load · me = max. efficiency · fa = running at free air · cs = customer specs · cu = customer unit
Subject to alterations



EC centrifugal fan

forward curved, single inlet
with housing (flange)

Technical features

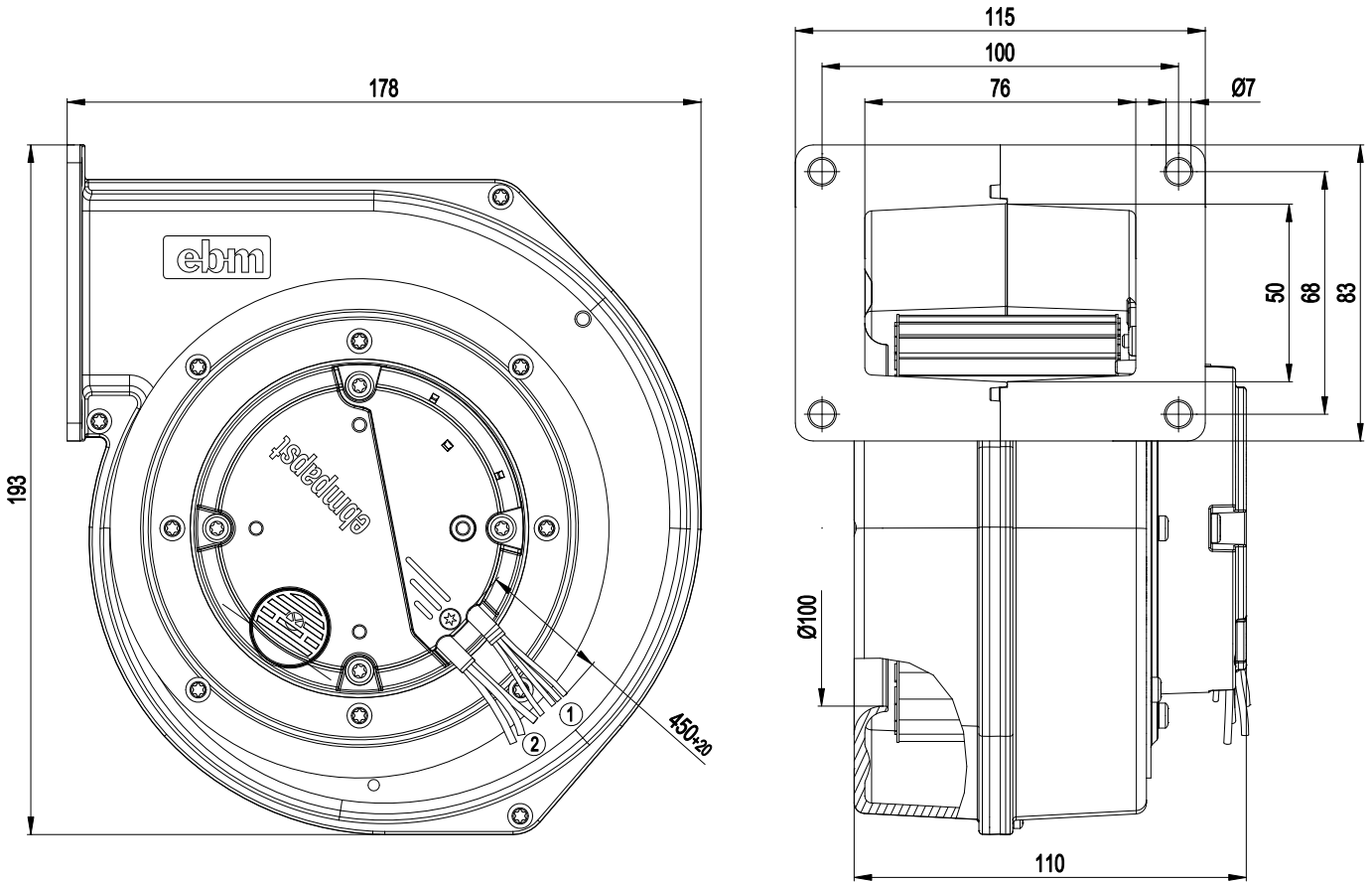
Mass	1.8 kg
Size	120 mm
Surface of rotor	Galvanised
Material of electronics housing	Die-cast aluminium
Material of impeller	Hot-dip galvanized sheet steel
Housing material	Die-cast aluminium
Direction of rotation	Clockwise, seen on rotor
Type of protection	IP 44
Insulation class	"B"
Humidity class	F3-1
Max. permissible ambient motor temp. (transp./ storage)	+ 80 °C
Min. permissible ambient motor temp. (transp./storage)	- 40 °C
Mounting position	Shaft horizontal or rotor on bottom; rotor on top on request
Condensate discharge holes	Rotor-side
Operation mode	S1
Motor bearing	Ball bearing
Technical features	Control input 0-10 VDC / PWM, output 10 VDC max. 1.1 mA, tach output, locked rotor protection
EMC interference immunity	Acc. to EN 61000-6-2
EMC interference emission	Acc. to EN 61000-6-3 (household environment)
Touch current acc. IEC 60990 (measuring network Fig. 4, TN system)	<= 3.5 mA
Motor protection	Thermal overload protector (TOP) wired internally
Cable exit	Variable
Protection class	I (if protective earth is connected by customer)
Product conforming to standard	EN 60335-1
Approval	GOST; UL 2111



EC centrifugal fan

forward curved, single inlet
with housing (flange)

Product drawing



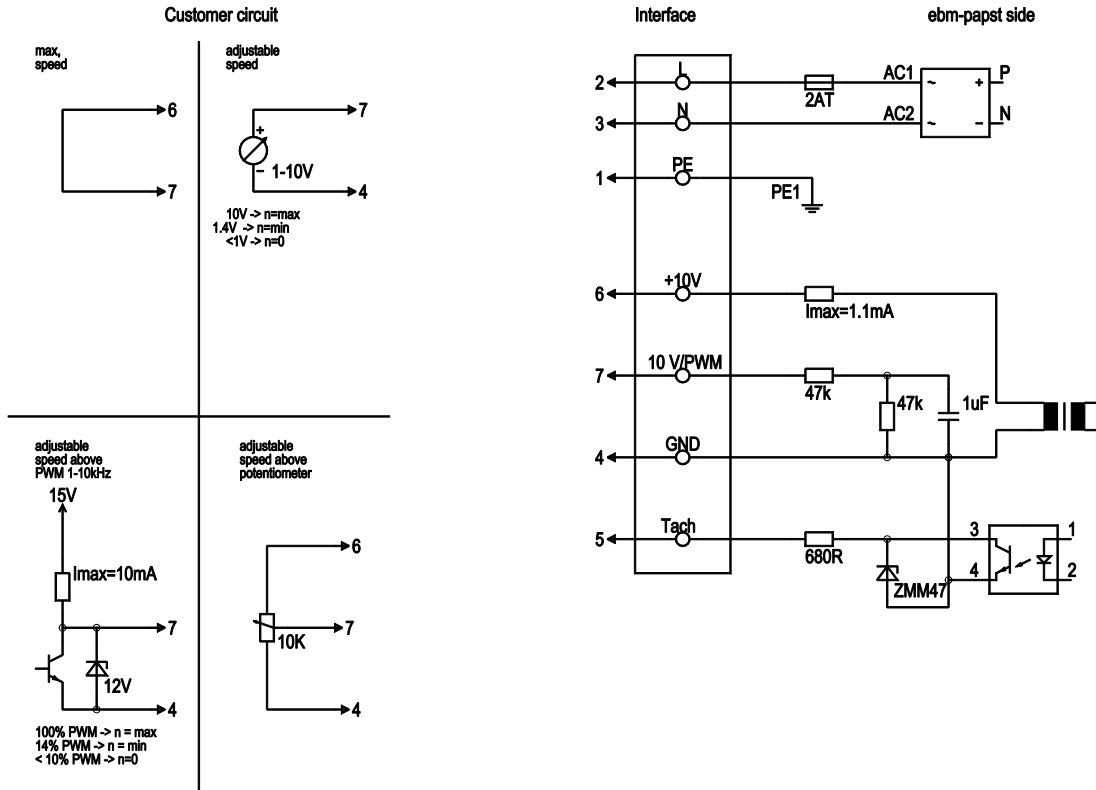
- | | |
|---|---|
| 1 | Connection line, special arrangement, 4x receptacle crimped |
| 2 | Connection line, special arrangement, 3x receptacle crimped |



EC centrifugal fan

forward curved, single inlet
with housing (flange)

Connection screen



Line	No.	Signal	Colour	Function / assignment
	1	PE	green/yellow	Protective earth
	2	L	brown	Power supply 115 VAC, 50-60 Hz, see type plate for voltage range
	3	N	blue	Neutral conductor
	4	GND	blue	GND - Connection for control interface
	5	Tach	white	Tach output: open collector, 1 pulse per revolution, electrically isolated
	6	10V/ max. 1,1mA	red	Voltage output 10 V/ 1.1 mA, electrically isolated
	7	0-10V PWM	yellow	Control input 0 - 10 V or PWM, electrically isolated

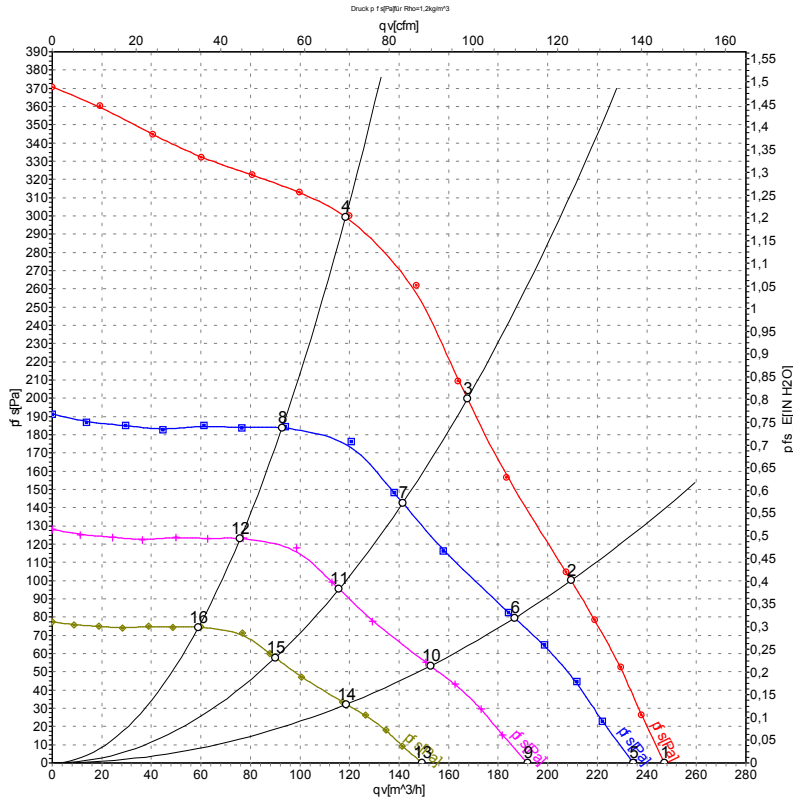


EC centrifugal fan

forward curved, single inlet

with housing (flange)

Charts: Air flow 50 Hz



Measurement: LU-73162

Air performance measured as per ISO 5801 Installation category A. For detailed information on the measuring set-up, please contact ebm-papst. Suction-side noise levels: LwA measured as per ISO 13347 / LpA measured with 1m distance to fan axis. The values given are valid under the measuring conditions mentioned above and may vary according to the actual installation situation. With any deviation from the standard set-up, the specific values have to be checked and reviewed with the unit installed.

Measured values

	U	f	n	P _{ed}	I	qv	P _{fs}
	V	Hz	min ⁻¹	W	A	m ³ /h	Pa
1	115	50	2320	46	0.70	245	0
2	115	50	2470	41	0.60	210	100
3	115	50	2605	35	0.52	170	200
4	115	50	2810	28	0.42	120	300
5	115	50	2200	39	0.57	235	0
6	115	50	2200	29	0.43	185	79
7	115	50	2200	21	0.31	140	142
8	115	50	2200	13	0.20	95	184
9	115	50	1800	21	0.31	190	0
10	115	50	1800	16	0.23	155	53
11	115	50	1800	11	0.17	115	95
12	115	50	1800	7.3	0.11	75	124
13	115	50	1400	10	0.15	150	0
14	115	50	1400	7.4	0.11	120	32
15	115	50	1400	5.4	0.08	90	58
16	115	50	1400	3.4	0.05	60	75

U = Supply voltage · f = Frequency · n = Speed · P_{ed} = Power input · I = Current draw · qv = Air flow · p_{fs} = Pressure increase

