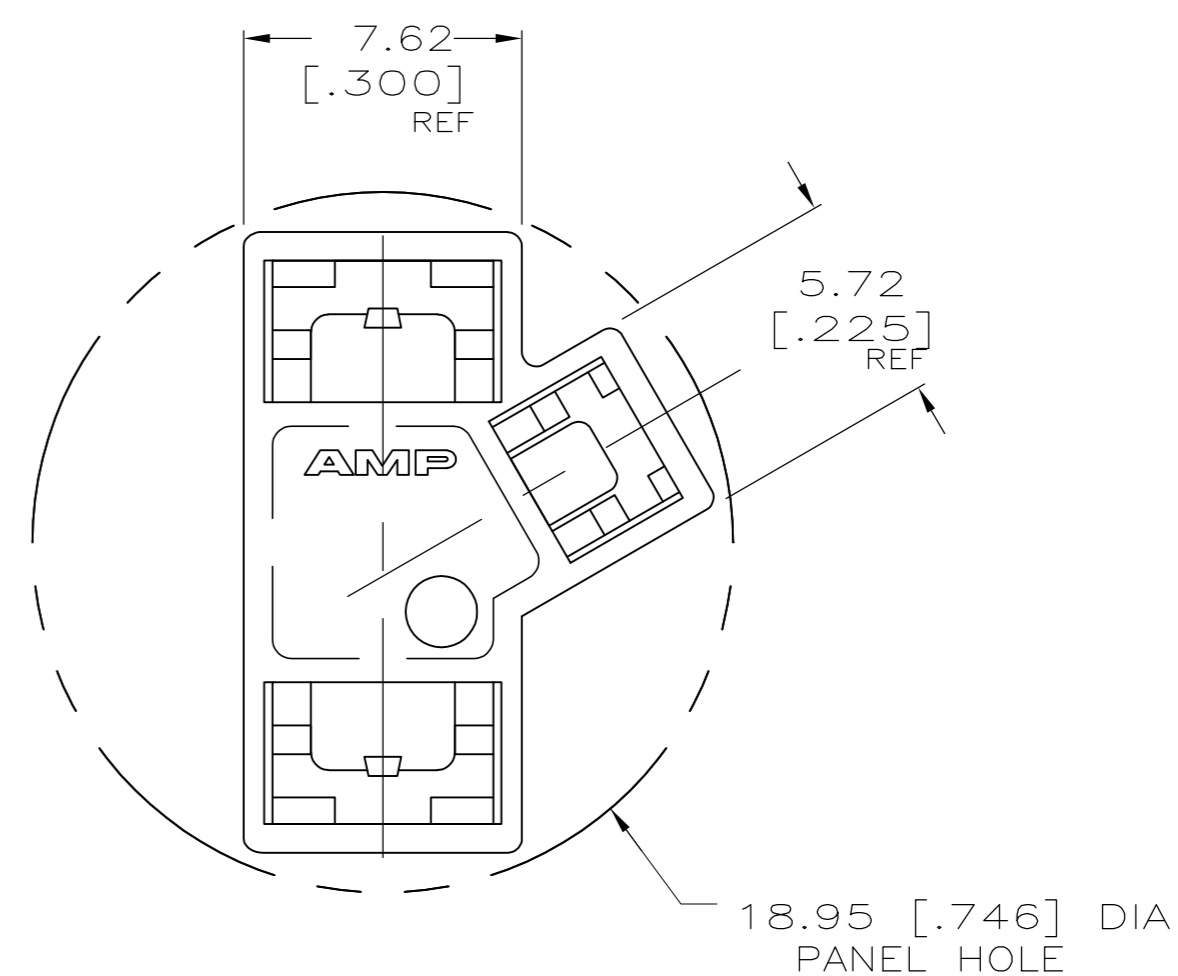
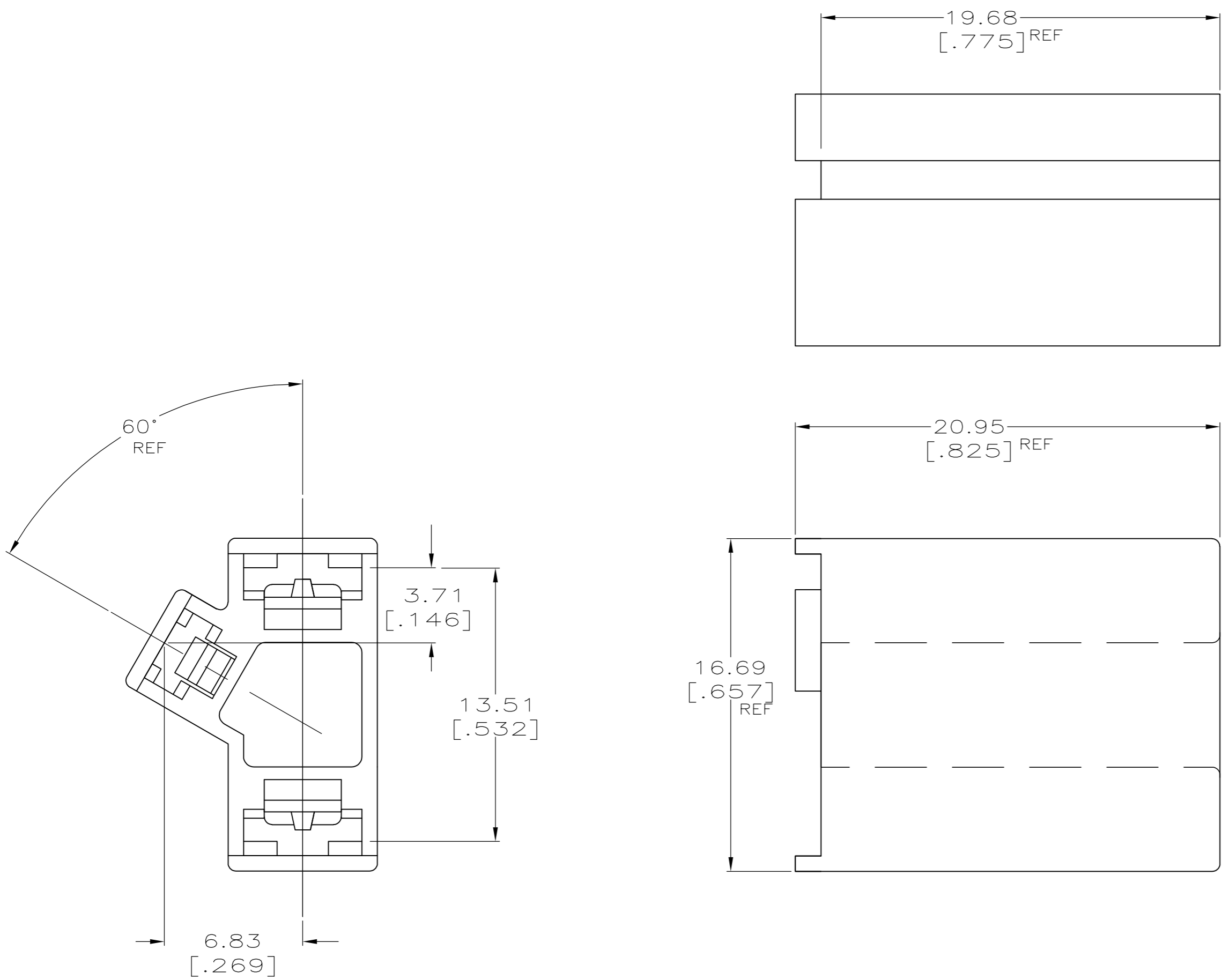


THIS DRAWING IS UNPUBLISHED. RELEASED FOR PUBLICATION
 © COPYRIGHT - By - ALL RIGHTS RESERVED.

LOC	DIST	REVISIONS			
P	LTR	DESCRIPTION	DATE	DWN	APVD
AF	50	F1	REV PER ECO 12-019158	31OCT12	JR PD

1 PRELIMINARY - NOT FOR PRODUCTION



6 NYLON, V0, 150°C	1 520978-3
4/6 NYLON 150°C	520978-2
6/6 NYLON	520978-1
MATERIAL	PART NO.

THIS DRAWING IS A CONTROLLED DOCUMENT.		DWN	JR RUTH	10/2/90		TE Connectivity						
DIMENSIONS: MM [INCHES]		CHK	MS FEHER	10/2/90		NAME						
TOLERANCES UNLESS OTHERWISE SPECIFIED:		APVD	C MEYERS	10/2/90		HOUSING, RECEPTACLE, FASTON, 2.79 [.110] & 4.75 [.187] SERIES						
0 PLC ± - 1 PLC ± - 2 PLC ± - 3 PLC ± 0.25 [.010] 4 PLC ± - ANGLES ± -		PRODUCT SPEC	-			SIZE	A2	CAGE CODE	00779	DRAWING NO	C=520978	RESTRICTED TO
MATERIAL	SEE TABLE	FINISH	NATURAL	WEIGHT	-	SCALE	5:1	SHEET	1 of 1	REV	F1	
CUSTOMER DRAWING												