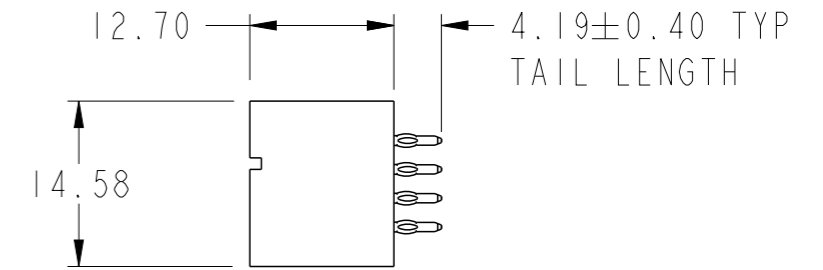
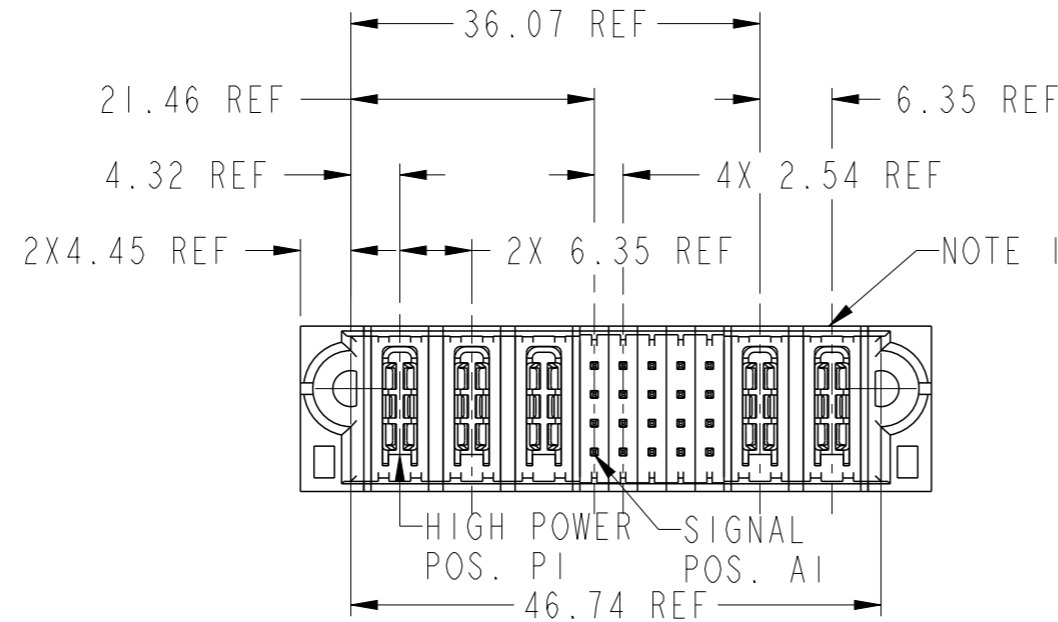
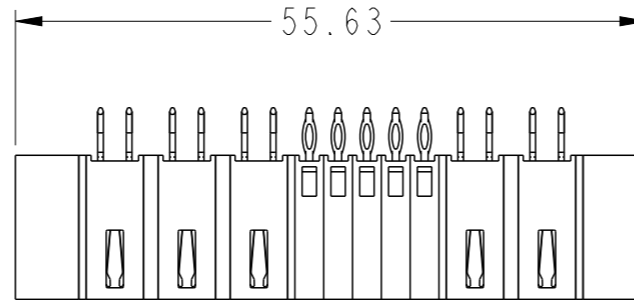
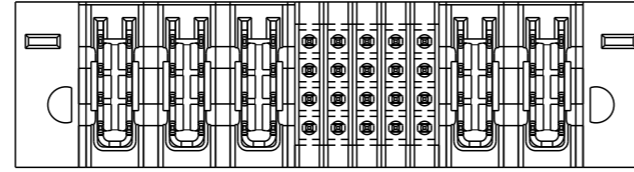


PART NUMBER SEE SHEET 2



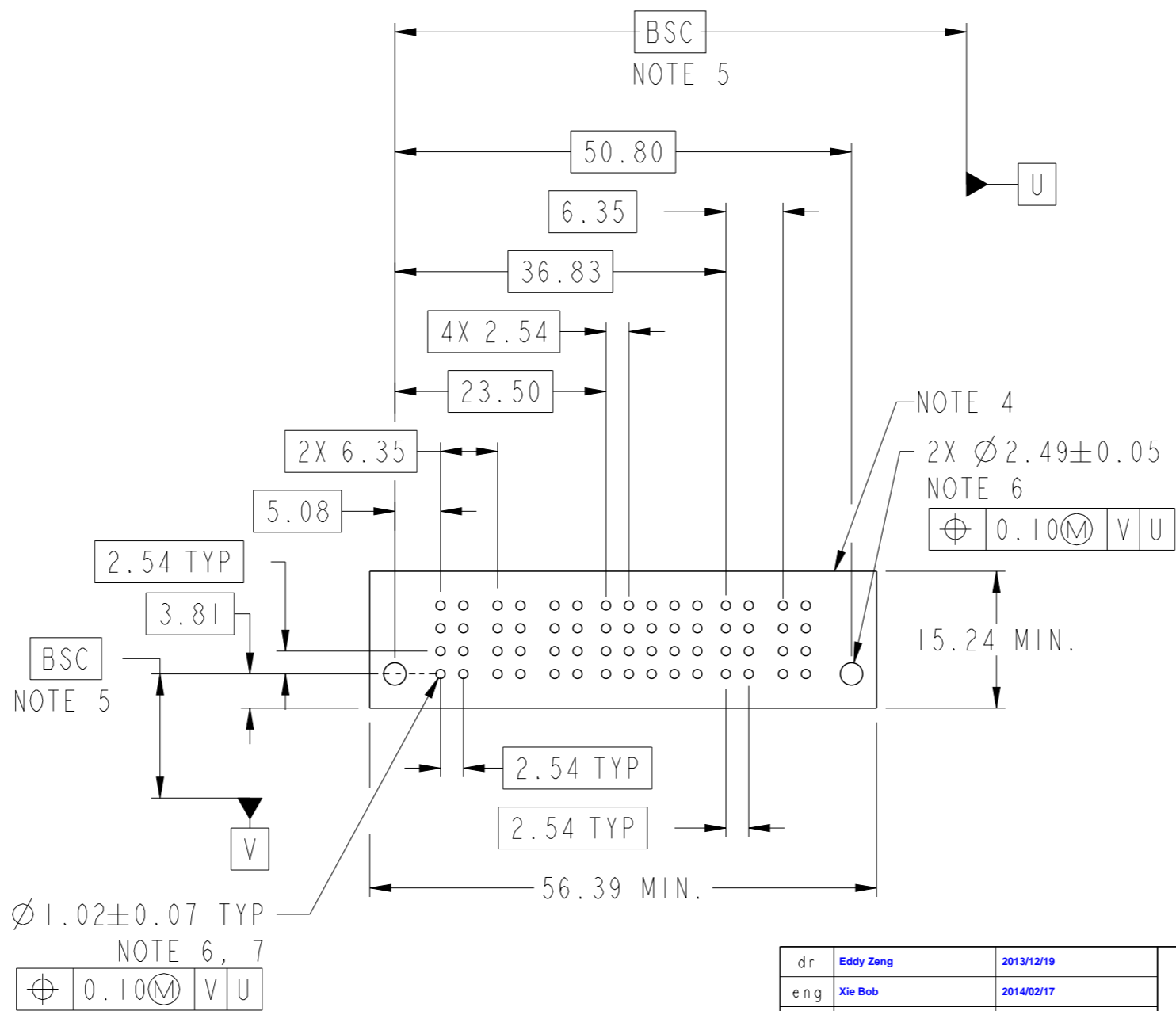
spec ref	*	dr	Eddy Zeng	2013/12/19	projection	MM	size	A3	scale	3:2															
tolerance std	ASME Y14.5	eng	Xie Bob	2014/02/17			ecn no		-																
TOLERANCES UNLESS OTHERWISE SPECIFIED		chr	Li-He	2014/02/16			product family		PwrBlade+	rel level		Released													
surface	 ASME Y14.5	appr	Pei-Ming Zheng	2014/02/17			3HP + 20S + 2HP VERTICAL PF HEADER		cat. no.	Product - Customer Drw	sheet 1 of 3														
	<table border="1"> <tr> <td>linear</td> <td>0.X</td> <td>±0.5</td> </tr> <tr> <td></td> <td>0.XX</td> <td>±0.25</td> </tr> <tr> <td></td> <td>0.XXX</td> <td>±0.10</td> </tr> <tr> <td>angular</td> <td>0°</td> <td>±2°</td> </tr> </table>	linear	0.X	±0.5		0.XX	±0.25		0.XXX	±0.10	angular	0°	±2°	<table border="1"> <tr> <td>dwg no</td> <td>10106129-5005001</td> <td>rev</td> <td>A</td> </tr> </table>		dwg no	10106129-5005001	rev	A						
linear	0.X	±0.5																							
	0.XX	±0.25																							
	0.XXX	±0.10																							
angular	0°	±2°																							
dwg no	10106129-5005001	rev	A																						



Copyright FCI.

PRODUCT NO.	ROWS	HP				SIGNAL					HP		E2
		E1	P1	P2	P3	1	2	3	4	5	P4	P5	
10106129-5005001LF	DCBA												

CODE	DESCRIPTION
G	STD SIGNAL CONTACT
H4	STD HIGH POWER CONTACT



dr	Eddy Zeng	2013/12/19	projection	MM	size	A3	scale	3:2	
eng	Xie Bob	2014/02/17		← →	ecn no	-	rel level	Released	
chr	Li-He	2014/02/16							
appr	Pei-Ming Zheng	2014/02/17	product family	PwrBlade+					
			3HP + 20S + 2HP		dwg no	10106129-5005001		rev	A
www.fci.com			VERTICAL PF HEADER		cat. no.		Product - Customer Drw		sheet 2 of 3

Copyright FCI.

A

B

C

D

A

B

C

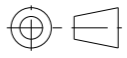
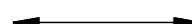

D

NOTES:

- 1) "FCI", PART NUMBER AND DATE CODE TO BE MARKED ON THIS SURFACE.  
THE MARK CAN BE OMITTED IF THERE IS NOT ENOUGH SPACE ON THIS SURFACE.
- 2) MATERIALS:  
-HOUSING - GLASS FILLED WITH HIGH TEMP THERMOPLASTIC, UL94V-0.  
-SIGNAL CONTACT - COPPER ALLOY.  
-POWER CONTACT - HIGH CONDUCTIVITY COPPER ALLOY.
- 3) PLATING SPECIFICATION REFER TO FCI 10116351
- 4) DENOTES CONNECTOR KEEP OUT ZONE.
- 5) DATUM AND BASIC DIMENIONS WERE ESTABLISHED BY CUSTOMER.
- 6) ALL HOLE DIAMETERS ARE FINISHED HOLE SIZES.
- 7) 1.15±0.025MM DRILLED HOLE PLATED WITH 0.00762MM MIN Sn  
OVER 0.0254-0.0762MM Cu PLATING TO ACHIEVE A 1.02±0.07MM HOLE.
- 8) PRODUCT SPECIFICATION REFER TO FCI GS-12-658.  
APPLICATION SPECIFICATION REFER TO FCI GS-20-141.  
PRODUCT PACKAGED IN TRAYS, REFER TO FCI GS-14-1502.



Copyright FCI.

dr	Eddy Zeng	2013/12/19	projection 	MM 	size	A3	scale	3:2
eng	Xie Bob	2014/02/17			ecn no	-		
chr	Li-He	2014/02/16			product family	PwrBlade+	rel level	Released
appr	Pei-Ming Zheng	2014/02/17			 3HP + 20S + 2HP VERTICAL PF HEADER		dwg no 10106129-5005001	rev A
www.fci.com		cat. no.	Product - Customer Drw			sheet 3 of 3		