



## User's Manual for

### **865**

Universal 48-pin drive Programmer,  
expandable up to 256.

### **866**

Universal 48-pin drive Programmer with USB/LPT interface and ISP  
capability

### **864**

Universal 48-pin drive Programmer

### **844USB**

Universal 40-pin drive Programmer with USB interface and ISP  
capability

### **844A**

Universal 40-pin drive Programmer with ISP capability

### **848**

Universal Memory Programmer

### **848A**

Universal Memory Programmer

### **849**

MCS51 Series and Atmel AVR Microcontrollers Programmer with ISP  
capability



---

**COPYRIGHT © 1997 - 2005  
B+K Precision Corporation**

This document is copyrighted by B+K Precision, Yorba Linda - California. All rights reserved. This document or any part of it may not be copied, reproduced or translated in any form or in any way without the prior written permission of B+K Precision

The control program is copyright B+K Precision, Yorba Linda - California. The control program or any part of it may not be analyzed, disassembled or modified in any form, on any medium, for any purpose.

Information provided in this manual is intended to be accurate at the moment of release, but we continuously improve all our products. Please consult manual on [www.bkprecision.com](http://www.bkprecision.com) .

B+K Precision assumes no responsibility for misuse of this manual.

B+K Precision reserves the right to make changes or improvements to the product described in this manual at any time without notice. This manual contains names of companies, software products, etc., which may be trademarks of their respective owners. B+K Precision respects those trademarks.

---

## ***How to use this manual***

This manual explains how to install the control program and how to use your programmer. It is assumed that the user has some experience with PCs and installation of software. Once you have installed the control program we recommend you consult the context sensitive HELP within the control program rather than the printed User's Manual. Revisions are implemented in the context sensitive help before the printed Users Manual.

**Note:** *Because this User's manual is common for more than one B+K Precision programmers, read section(s) respective programmer you have bought, please.*

This manual contains two main sections:

### ***Quick Start***

Read this section if you are an experienced user. You will find only specific information regarding installation of the control program and use of your programmer. For more detailed instructions you may read the **Description in detail** section or the **Troubleshooting** chapter for the respective programmer.

### ***Detailed description***

Read this section for the respective programmer if you are a less experienced user or if you need detailed information. You may find some less relevant features of programmer described here, but all programmer features are described in this section along with details regarding installation of the control program. Read this section to explore all of the features provided by your programmer.

---

*Please, download actual version of manual from B+K Precision WEB site ([www.bkprecision.com](http://www.bkprecision.com)), if current one will be out of date.*



---

## **Table of contents**

How to use this manual.....	3
<b>Introduction.....</b>	<b>7</b>
Products configuration .....	10
PC requirements .....	10
<b>Quick Start .....</b>	<b>12</b>
<b>Detailed description .....</b>	<b>14</b>
<b>865.....</b>	<b>15</b>
Introduction .....	16
865 elements .....	19
Connecting 865 to the PC.....	20
Manipulation with the programmed device .....	21
In-system serial programming by 865.....	21
Self test and Calibration.....	23
Technical specification.....	23
<b>866.....</b>	<b>29</b>
Introduction .....	30
866 elements .....	32
Connecting 866 to the PC.....	33
Manipulation with the programmed device .....	34
In-system serial programming by 866.....	34
Multiprogramming by 866 .....	36
Selftest and calibration.....	36
Technical specification.....	37
<b>864.....</b>	<b>42</b>
Introduction .....	43
864 elements .....	45
Connecting 864 to the PC.....	46
Manipulation with the programmed device .....	47
Self test and Calibration.....	47
Technical specification.....	48
<b>844USB .....</b>	<b>52</b>
Introduction .....	53
844USB elements .....	55
Connecting 844USB to PC .....	56
Manipulation with the programmed device .....	56
In-system serial programming by 844USB .....	56
Selftest and calibration.....	58
Technical specification.....	58
<b>844A.....</b>	<b>63</b>
Introduction .....	64
844A elements .....	66
Connecting 844A to PC .....	67
Manipulation with the programmed device .....	67
In-system serial programming by 844A .....	68
Self test and calibration.....	69
Technical specification.....	70
<b>848.....</b>	<b>74</b>
Introduction .....	75
848 elements .....	76

Connecting 848 programmer to PC.....	77
Manipulation with the programmed device.....	77
Self test and calibration.....	78
Technical specification.....	78
<b>848A.....</b>	<b>82</b>
Introduction.....	83
848A elements.....	84
Connecting 848A programmer to PC.....	84
Manipulation with the programmed device.....	85
Technical specification.....	86
<b>849.....</b>	<b>89</b>
Introduction.....	90
849 elements.....	92
849 elements.....	92
Connecting 849 programmer to PC.....	92
Manipulation with the programmed device.....	93
In-System serial programming by 849.....	93
Selftest and calibration.....	95
Technical specification.....	95
<b>Software.....</b>	<b>99</b>
The programmer software.....	100
File.....	102
Buffer.....	107
Device.....	113
Programmer.....	137
Options.....	142
Help.....	146
<b>Common notes.....</b>	<b>149</b>
Software.....	150
Hardware.....	151
ISP (In-System Programming).....	152
Other.....	161
<b>Troubleshooting and warranty.....</b>	<b>164</b>
Throubleshooting.....	165
If you have an unsupported target device.....	166
Warranty terms.....	167
<b>Appendix.....</b>	<b>169</b>
Appendix A - Device Problem Report form.....	170
Appendix C - AlgOR service.....	171



## ***Conventions used in the manual***

References to the control program functions are in bold, e.g. **Load**, **File**, **Device**, etc. References to control keys are written in brackets <>, e.g. <F1>.

## ***Terminology used in the manual:***

- Device** any kind of programmable integrated circuits or programmable devices
- ZIF socket** Zero Insertion Force socket used for insertion of target device
- Buffer** part of memory or disk, used for temporary data storage
- Printer port** type of port of PC (parallel), which is primarily dedicated for printer connection.
- HEX data format** - format of data file, which may be read with standard text viewers; e.g. byte 5AH is stored as characters '5' and 'A', which mean bytes 35H and 41H. One line of this HEX file (one record) contains start address, data bytes and all records are secured with checksum.

---

# *Introduction*

---



---

This user's manual covers some B+K Precision programmers: **865, 866, 864, 844USB, 844A, 848, 848A and 849.**

**865** is a universal programmer and logic IC tester with 48 powerful pindrivers in base configuration, expandable up to 256. This design allows to easily adding new devices to the device list. 865 provides very competitive price but excellent hardware design for reliable programming. Best "value for money" in this class.

**866** is a fast universal USB/LPT interfaced universal programmer and logic IC tester with 48 powerful pindrivers. Using build-in in-circuit serial programming (ISP) connector the programmer is able to program ISP capable chips in-circuit. This design allows easily add new devices to the device list. 866 is a true universal and a true low cost programmer, providing one of the best "value for money" in today's market.

**864** is a universal programmer and logic IC tester with 48 powerful pindrivers. This design allows to easily adding new devices to the device list. 864 is a true universal and a true low cost programmer, providing one of the best "value for money" in today's market.

**844USB** is a small, fast and powerful USB interfaced programmer of all kinds of programmable devices. Using build-in in-circuit serial programming (ISP) connector the programmer is able to program ISP capable chips in-circuit. It has design, which allows easily add new devices to the device list. Nice "value for money" in this class.

**844A** is a small, fast and powerful programmer of all kinds of programmable devices. Using build-in in-circuit serial programming (ISP) connector the programmer is able to program ISP capable chips in-circuit. It has design, which allows to easily adding new devices to the device list. Nice "value for money" in this class.

**848** is a small and powerful EPROM, EEPROM, Flash EPROM and serial EEPROM programmer and static RAM tester, designed for professional mobile applications. In addition, 848 programmer with auxiliary modules support also microprocessors (MCS48, MCS51, PIC, AVR), GALs, etc. Programmer can work with 'true LV' device too - from 2V.

**848A** is a little and powerful programmer for EPROM, EEPROM, Flash EPROM, NVRAM, serial EEPROM and static RAM tester.

**849** is little, powerful and very fast portable programmer for MCS51 series and Atmel AVR Microcontrollers with ISP



---

capability. 849 enables also programming serial EEPROM with interface types IIC (24Cxx), Microwire (93Cxx) and SPI (25Cxx).

All our programmers work with almost any IBM PC Pentium compatible or higher, portable or desktop personal computers. No special interface card is required to connect to the PC, since programmers use the parallel (printer) port or USB port.

All programmers function flawlessly on systems running Windows 95/98/Me/NT/2000/XP.

All programmers are driven by an **easy-to-use, control program** with pull-down menus, hot keys and online help. Control program is common for all these B+K PRECISION programmers (865, 866, 864, 844USB, 844A, 848, 848A and 849).

Advanced design, including protection circuits, original brand components and careful manufacturing allows us to provide a **one-year warranty** on parts and labor for these programmers (limited 25,000 cycle warranty on ZIF socket).

#### **Free additional services:**

- free technical support (phone/fax/e-mail).
- free lifetime software update via Web site.

<p><b>Free software updates</b> are available from our Internet address <b><a href="http://www.bkprecision.com">www.bkprecision.com</a></b></p>
---

We also offer the following new services in our customer support program: Keep-Current and AlgOR.

- **Keep-Current** is a service by which B+K PRECISION ships to you the latest version of the control program for programmer and the updated user documentation. A Keep-Current service is your hassle-free guarantee that you always have access to the latest software and documentation, at minimal cost.
- **AlgOR** (Algorithm On Request) service allows you to receive from B+K PRECISION software support for programming devices not yet available in the current device list.

**Note:** *We don't recommend use programmers 864, 848 and 848A for In-circuit programming.*



## Products configuration

Before installing and using your programmer, please carefully check that your package includes all next mentioned parts.

	865	866	864	844USB	844A	848A	848	849
programmer	•	•	•	•	•	•	•	•
LPT cable	•	•	•	-	•	•	•	•
USB cable	-	•	-	•	-	-	-	-
power supply	•	•	•	•	•	•	•	•
diagnostic POD	•	•	•	•	•	-	•	•
ISP cable	-	•	-	•	•	-	-	•
ZIF anti-dust cover	•	•	•	•	•	-	•	•
User's manual	•	•	•	-	•	-	-	-
Quick Guide	-	-	-	•	-	•	•	•
registration card	•	•	•	•	•	•	•	•
shipping case	•	•	•	•	•	•	•	•

If you find any discrepancy with respective parts list and/or if any of these items are damaged, please contact your distributor immediately.

## PC requirements

### Minimal PC requirements

- PC Pentium 166
- 32MB RAM
- one CD drive
- HDD, 40 MB free space
- operating system Windows 95/98/Me/NT/2000/XP
- one parallel (LPT) port with nothing attached (for programmers connected via LPT port)
- USB port ver. 1.1 or later (for programmers connected via USB port)

### Recommended PC requirements

- Pentium PC III 800 MHz or higher

- 
- 256 MB free RAM
  - one CD drive
  - HDD, 50 MB free space
  - operating system: Windows XP
  - LPT printer port supporting EPP/ECP modes (for programmers connected via LPT port)
  - USB port ver. 1.1 or later (for programmers connected via USB port)

**Note:** *For convenience, we suggest that you use a supplementary multi I/O card to provide an additional printer port (LPT2 for example), in order to avoid sharing the same LPT port between printer and programmer.*



---

## *Quick Start*

---

---

## ***Installing programmer hardware***

- switch off the PC and programmer
- connect the communication port of programmer to a printer port of PC using cable supplied
- switch on the PC
- connect the connector of the power supply adapter to the programmer

## ***Installing the programmer software***

Run the installation program from the CD (Setup.exe) and follow the on-screen instructions. Please, for latest information about the programmer hardware and software see [www.bkprecision.com](http://www.bkprecision.com) .

## ***Using programmer software***

Launch PG4UW.exe to enter the control program. The menu **Device** contains the device manipulation commands. The menu **File** contains commands for files and directories. The menu **Buffer** is to be used for buffer manipulation.

## ***Programming a device - the shortest way***

Use the hot key **<Alt+F5>** to input the device name and/or manufacturer to select the desired type of target device. If you want to copy an existing device, insert it into the ZIF socket of the programmer and then press key **<F7>**. If you want to program a target device with data from a disk press key **<F3>** and read the appropriate file into the buffer. Then insert your target device into the ZIF socket. To check if the device is blank - press key **<F6>**. Now you can program the device by pressing key **<F9>**. After programming you may perform additional verification by pressing key **<F8>**.



---

## *Detailed description*

---

---

# 865

---





## Introduction

**865** is a new generation of Windows 95/98/Me/NT/2000/XP based B+K PRECISION universal programmers built to meet the rigorous demands of the leading engineers and programming centers.

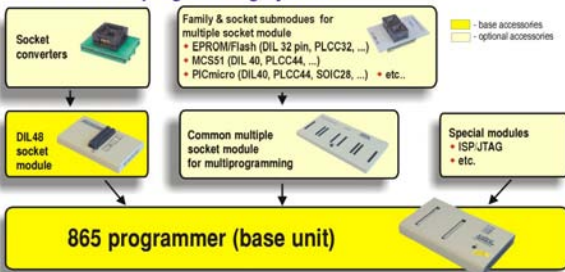
**865** supports all kinds of types and silicon technologies of programmable devices. It provides very competitive price but excellent hardware design for reliable programming. Best "value for money" in this class.

**865** interfaces with the IBM PC Pentium compatible or higher, portable or desktop personal computers. Programmer allows you to directly connect to your PC through **any standard parallel (printer) port** (no special interface card needed). We recommend use **parallel (printer) port on PCI bus, IEEE 1284 compatible (ECP/EPP)**. The 865 control program support standard IEEE1284 also.

**865** offer very fast programming due high-speed FPGA driven hardware and support of ECP/EPP parallel port. Consequently and due special protocol is communication between PC and 865 programmer fast and very reliable. The programming AT29C040A takes about 28 seconds it is faster than most its competitors. As a result, this programmer is optional solution for middle quantities programming in production or programming centers.

### Scheme of 865 programming system

#### Scheme of 865 programming system



#### 865, base configuration

- 865, base unit
- 865, DIL48 socket module

For following text, term 865 means 865 in base configuration.



---

**865** has 48 powerful pindrivers in base unit, expandable up to 256 pindrivers using "pindriver expansion" modules. Advanced pin drivers incorporate high-quality high-speed circuitry to deliver programming and testing performance without overshoot or ground bounce for all device technologies. Pin drivers operate down to 1.8V so you'll be ready to program the full range of today's advanced low-voltage devices.

Modular design of 865 allows adapting the programmer according to customers needs either as very flexible universal programmer for laboratory or high efficient multi-programmer in production line. Multiprogramming capability for most of supported devices is accomplished by using "multiple socket" modules.

Powerful pindriver provides logic level, pull-up/pull-down, clock, ground, one VCC supply and two programming supply and, certainly read, on each of all 48 pins independently. This advanced design give it the ability to program almost every programmable device in DIL up to 48 pins without adapter or family specific module. Support for today and tomorrow programmable devices gives engineers the freedom to choose the optimum device for new design.

**865** isn't only programmer, but also **tester** of TTL/CMOS logic ICs and memories. Furthermore, it allows generate of user-definable **test pattern sequences**.

The programmer has on-board intelligence, comprise of powerful Microcontroller system and support devices. 865 has been designed for **multitasking operating systems** and is able to perform time-critical programming sequences independently of the PC operating system status and without being interrupted by any another parallel process running on the PC. Consequently, 865 works without any problem on systems running Windows 95/98/Me/NT/2000/XP.

The programmer performs **device insertion test** (wrong or backward position) and contact check (poor contact pin-to-socket) before it programs each device. These capabilities, supported by over current protection and signature-byte check help prevent chip damage due to operator error.

**Built-in protection circuits** eliminate damage of programmed device due to mains supply fluctuations, communication error or if PC is frozen. In event of such errors Microcontroller in programmer performs, independently on the PC, exactly specified sequence of steps, so that programmed target device remains intact. Programmer's hardware offers enough resources for **self test**, that control program is any time be able to check pindrivers, present and correct level of all



---

voltages, check the timing and communication between programmer and PC.

An optimally designed printed circuit minimizes negative programming effects at the socket (such as ground bouncing, supply voltage instability). All the inputs of the 865 programmer, including the ZIF socket, connection to PC and power supply input, are **protected against ESD** to protect the programmer and programmed circuits against damage due ESD.

**865** performs programming **verification** at the marginal level of supply voltage, which, obviously, improves programming yield, and guarantees long data retention.

Various socket converters are available to handle device in PLCC, SOIC, PSOP, SSOP, TSOP, TSSOP, TQFP, QFN (MLF), SDIP, BGA and other packages.

Devices with more than 48 pins are supported by

- pindriver expansion module and universal single socket module
- simple special package converters

**865** programmer is driven by an **easy-to-use** control program with pull-down menu, hot keys and on-line help. Selecting of device is performed by its class, by manufacturer or simply by typing a fragment of vendor name and/or part number.

**Standard** device-related commands (read, blank check, program, verify, erase) are boosted by some **test functions** (insertion test, signature-byte check), and some **special functions** (autoincrement, production mode - start immediately after insertion of chip into socket).

All known data formats are supported. Automatic file format detection and conversion during load of file.

The rich-featured **autoincrement function** enables to assign individual serial numbers to each programmed device - or simply increments a serial number, or the function enables to read serial numbers or any programmed device identification signatures from a file.

The software also provide a many informations about programmed device. As a special, the drawing of all available packages are provided. The software provide also explanation of chip labeling (the meaning of prefixes and suffixes at the chips) for each supported chip.

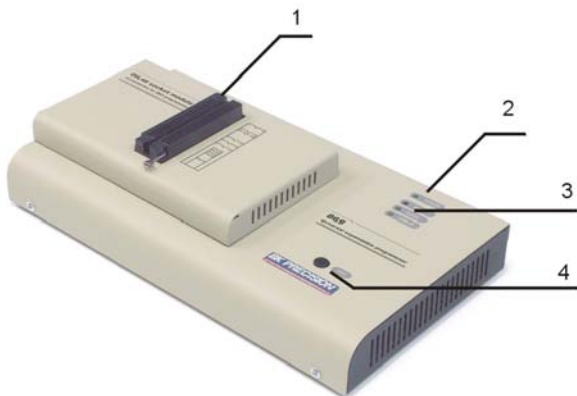
It is important to remember that in most cases new devices require **only a software upgrade** since the 865 has 48 true

pin drivers, which can perform as required under program control. With our prompt service new devices can be added to the current list within hours!

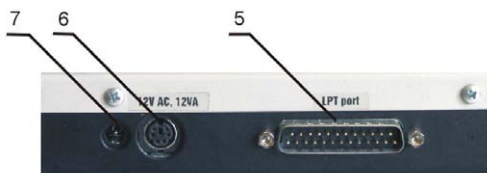
Advanced design including protection circuits, original brand components and careful manufacturing allows us to provide a **one-year warranty** on parts and labor for the 865 (limited 25,000-cycle warranty on ZIF socket).

## 865 elements

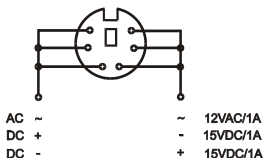
- ① DIL48 socket module with 48 pin ZIF socket
- ② LED indicator power/sleep
- ③ LED indicators for work result
- ④ YES! Button



- ⑤ Connector for PC <-> 865 communication cable
- ⑥ Power supply connector
- ⑦ Internal use connector



Power supply connector





---

**Note:** Due to low power consumption of 865 in inactive mode, it doesn't require power switch. When the power LED indicator glows with a low intensity, the 865 is in inactive mode.

## Connecting 865 to the PC

Switch off PC and programmer. Insert the communication cable included with your 865 programmer package to a free printer port on your PC. If your computer is equipped with only one printer port, substitute the programmer cable for the printer cable. Connect the opposite cable end to the programmer. Screw on both connectors to counter-connectors. This is very important. It may be uncomfortable to switch between printer cable and programmer cable, though it is not recommended to operate the 865 programmer through a mechanical printer switch. Use of an electronic printer switch is impossible. But you can install a second multi-I/O in your computer, thus obtaining a supplementary printer port, says LPT2. So your printer may remain on LPT1 while the programmer on LPT2.

Switch on the PC.

Connect the mains connector of the power supply (or the wall-plug power supply itself) to a mains plug, and then connect the mini-DIN connector to the programmer's connector labeled "12VAC". At this time all 'work result' LEDs (and 'POWER' LED) light up successive and then switch off. Once the POWER LED lights with low brightness then the 865 programmer is ready to run.

Next run the control program for 865.

**Caution!** If you don't want to switch off your PC when connecting the 865, proceed as follows:

- **When connecting** the programmer to the PC: **FIRST** insert the **communications cable** and **THEN** the **power-supply connector**.
- **When disconnecting** the programmer from the PC: **FIRST** disconnect the **power-supply connector** and **THEN** the **communication cable**.

From 865's point of view the connecting and disconnecting sequence is irrelevant. Protection circuits on all programmer inputs keep it safe. **But think of your PC please.**

## Problems related to the 865 ⇔ PC interconnection, and their removing

If you have any problems with 865 ⇔ PC interconnection, see section **Common notes** please.

---

## ***Manipulation with the programmed device***

After selection of desired device for your work, you can insert into the open ZIF socket (the lever is up) and close socket (the lever is down). The correct orientation of the programmed device in ZIF socket is shown on the picture near ZIF socket on the programmer's cover. The programmed device is necessary to insert into the socket also to remove from the socket when LED BUSY light off.

**Note:** *Programmer's protection electronics protect the target device and the programmer itself against either short or long-term power failures and, partly, also against a PC failure. However, it is not possible to grant the integrity of the target device due to incorrect, user-selected programming parameters. Target device may be not destroyed by forced interruption of the control program (reset or switch-off PC), by removing the physical connection to the programmer, but the content of actually programmed cell may remains undefined. Don't unplug the target device from the ZIF socket during work with devices (LED BUSY shine).*

## ***In-system serial programming by 865***

For ISP programming by 865 is **necessary change DIL48 socket module by ISP module.**

ISP module attached to 865 programmer is manual operated ISP programming solution, suitable for development and low/middle volume production application.

Optimized advanced pindriver deliver programming performance without overshoot or ground bounce for all device technologies. Pin drivers operate down to 1.8V so you'll be ready to program the full range of today's advanced low-voltage devices.

The ISP programming solution performs programming verification at the marginal level of supply voltage, which, obviously, improves programming yield, and guarantees long data retention.

The ISP programming solution provide also the power supply for the target system.

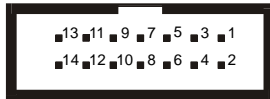


This ISP programming solution provides very competitive price but excellent hardware design for reliable programming.

This ISP programming solution is driven by the same software as the 865 programmer. The software provide full information for ISP implementation: Description of ISP connector pins for currently selected chip, recommended target design around in-circuit programmed chip and other necessary information.

For general definition, recommendation and direction about ISP see section **Common notes / ISP** please.

### **Description of ISP connector**

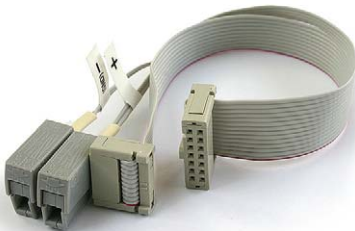


Front view at ISP connector.

Specification of ISP connector pins depends on the device, which you want to program. You can find it in the control SW for programmer (PG4UW), menu **Device / Device Info (Ctrl+F1)**. Be aware, the ISP programming way of respective device must be selected. It is indicated by (ISP) suffix after name of selected device.

These specifications correspond with application notes published of device manufacturers. Used application notes you may find on [www.bkprecision.com](http://www.bkprecision.com), section application notes.

**Note:** Pin no. 1 is signed by triangle scratch on ISP cable connectors.

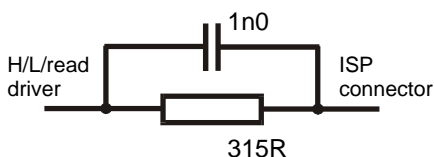


865 ISP cable

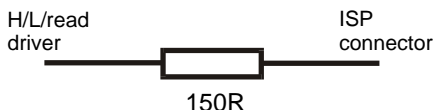
**Warnings:**

- Use only **attached ISP cable**. When you use other ISP cable (other material, length...), programming may occur unreliable.
- **865 can supply** programmed device (pin 1 of ISP connector) and target system (pin 5, 13, 14 of ISP connector) with limitation (see Technical specification / ISP connector), but target system **cannot supply 865**.
- 865 apply programming voltage to target device and checks his value (target system can modify programming voltage). If the programming voltage is different as expected, no action with target device will be executed.

**Note:** H/L/read driver on pins 3 and 10

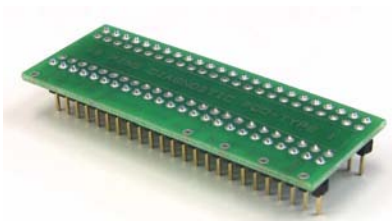


H/L/read driver on pins 2, 4, 6 and 8



## Self test and Calibration

If you feel that your programmer does not react according to your expectation, please run the programmer self test using Diagnostic POD, enclosed with the standard delivery package. For optimal results with programmer we recommend you undertake every 6 months, an extended test and to check the calibration. See instructions for self test in the **Diagnostics** menu of PG4UW.



## Technical specification



---

## **HARDWARE**

### **Base unit, DACs**

- FPGA based IEEE 1284 slave printer port, up to 1MB/s transfer rate
- on-board powerful microprocessor (20MHz) supported by FPGA based state machine, 20MHz powered
- three D/A converters for VCCP, VPP1, and VPP2, controllable rise and fall time
- VCCP range 0..8V/1A
- VPP1, VPP2 range 0..26V/1A
- auto calibration
- self test capability
- protection against surge and ESD on power supply input, parallel port connection
- banana jack for ESD wrist straps

### **Socket, pindriver**

- pin drivers: 48 as standard max. 256
- 1x VCC, 2x VPP can be connected to each pin
- perfect ground for each pin
- FPGA based TTL driver provides H, L, CLK, pull-up, pull-down on all pindriver pins
- analog pindriver output level selectable from 1.8 V up to 26V
- current limitation, over current shutdown, power failure shutdown
- ESD protection on each pin of socket (IEC1000-4-2: 15kV air, 8kV contact)
- continuity test: each pin is tested before every programming operation

### **Socket, base configuration**

- 48-pin DIL ZIF (Zero Insertion Force) socket accepts both 300/600 mil devices up to 48-pin

## **DEVICE SUPPORT**

### **865 with DIL48 socket module**

- EPROM: NMOS/CMOS, 2708\*, 27xxx and 27Cxxx series, with 8/16 bit data width, full support for LV series
- EEPROM: NMOS/CMOS, 28xxx, 28Cxxx, 27EExxx series, with 8/16 bit data width
- Flash EPROM: 28Fxxx, 29Cxxx, 29Fxxx, 29BVxxx, 29LVxxx, 29Wxxx, 49Fxxx series, from 256Kbit to 32Mbit, with 8/16 bit data width, full support for LV series



- 
- Serial E(E)PROM: 24Cxxx, 24Fxxx, 25Cxxx, 45Dxxx, 59Cxxx, 25Fxxx, 25Pxxx, 85xxx, 93Cxxx, NVM3060, MDAxxx series, full support for LV series
  - Configuration (EE)PROM: XCFxxx, XC17xxxx, XC18Vxxx, EPCxxx, AT17xxx, 37LVxx
  - 1-Wire E(E)PROM: DS1xxx, DS2xxx
  - PROM: AMD, Harris, National, Philips/Signetics, Tesla, TI
  - NV RAM: Dallas DSxxx, SGS/Inmos MKxxx, SIMTEK STKxxx, XICOR 2xxx, ZMD U63x series
  - PLD: Altera: MAX 3000A, MAX 7000A, MAX 7000B, MAX 7000S, MAX7000AE
  - PLD: Lattice: ispGAL22V10x, ispLSI1xxx, ispLSI1xxxEA, ispLSI2xxx, ispLSI2xxxA, ispLSI2xxxE, ispLSI2xxxV, ispLSI2xxxVE, ispLSI2xxxVL, LC4xxxB/C/V/ZC, M4-xx/xx, M4A3-xx/xx, M4A5-xx/xx, M4LV-xx/xx
  - PLD: Xilinx: XC9500, XC9500XL, XC9500XV, CoolRunner XPLA3, CoolRunner-II
  - other PLD: SPLD/CPLD series: AMI, Atmel, AMD-Vantis, Gould, Cypress, ICT, Lattice, NS, Philips, STM, VLSI, TI
  - Microcontrollers 48 series: 87x41, 87x42, 87x48, 87x49, 87x50 series
  - Microcontrollers 51 series: 87xx, 87Cxxx, 87LVxx, 89Cxxx, 89Sxxx, 89LVxxx, all manufacturers, Philips 87C748..752 series, Philips LPC series, Cygnal/Silicon Laborat. C8051 series
  - Microcontrollers Intel 196 series: 87C196 KB/KC/KD/KT/KR/...
  - Microcontrollers Atmel AVR: AT90Sxxxx, ATtiny, ATmega series
  - Microcontrollers Cypress: CY8Cxxxxx
  - Microcontrollers ELAN: EM78Pxxx
  - Microcontrollers Microchip PICmicro: PIC10xxx, PIC12xxx, PIC16xxx, PIC17Cxxx, PIC18xxx, dsPIC series
  - Microcontrollers Motorola: 68HC05, 68HC08, 68HC11 series
  - Microcontrollers National: COP8xxx series
  - Microcontrollers NEC: uPD78Pxxx series
  - Microcontrollers Scenix (Ubicom): SXxxx series
  - Microcontrollers SGS-Thomson: ST6xx, ST7xx, ST10xx series
  - Microcontrollers TI: MSP430 and MSC121x series
  - Microcontrollers ZILOG: Z86/Z89xxx and Z8xxx series
  - Microcontrollers other: EM Microelectronic, Fujitsu, Goal Semiconductor, Princeton, Macronix, Winbond, Hitachi, Holtek, Infineon(Siemens), NEC, Samsung, Toshiba, ...

### ***I.C. Tester***

- TTL type: 54,74 S/LS/ALS/H/HC/HCT series
- CMOS type: 4000, 4500 series
- static RAM: 6116.. 624000
- user definable test pattern generation



## 865 with ISP module

- Serial E(E)PROM: IIC series
- Microcontrollers Atmel: AT89Sxxx, AT90Sxxxx, ATtiny, ATmega series
- Microcontrollers Cypress: CY8C2xxxx
- Microcontrollers Elan: EM78Pxxx
- Microcontrollers EM Microelectronic: 4 and 8 bit series
- Microcontrollers Microchip PICmicro: PIC10xxx, PIC12xxx, PIC16xxx, PIC17xxx, PIC18xxx, dsPIC series
- Microcontrollers Motorola/Freescale: HC08 GT, LJ, QY, QT series
- Microcontrollers Philips: LPC series
- Microcontrollers TI: MSP430
- PLD: Lattice: ispGAL22xV10x, ispLSI1xxxEA, ispLSI2xxxE, ispLSI2xxxV, ispLSI2xxxVE, ispLSI2xxxVL, M4-xx/xx, M4LV-xx/xx, M4A3-xx/xx, M4A5-xx/xx, LC4xxxB/C/V/ZC
- Various PLD (also by Jam player/JTAG support):
- Altera: MAX 3000A, MAX 7000A, MAX 7000B, MAX 7000S, MAX 9000, MAX II
- Xilinx: XC9500, XC9500XL, XC9500XV, CoolRunner XPLA3, CoolRunner-II

### Notes:

- *Devices marked \* are obsolete, programming with additional module*
- *For all supported devices see actual **Device list***

## Package support

- package support includes DIP, PLCC, SOIC, PSOP, SSOP, TSOP, TSSOP, TQFP, QFN (MLF), SDIP, BGA and other
- support all devices in DIP with default socket
- support devices in non-DIP packages up to 48 pins with universal adapters
- programmer is compatible with third-party adapters for non-DIP support

## Programming speed

Device	Operation	Time
27C010	programming and verify	21 sec
AT29C040A	programming and verify	31 sec
AM29F040	programming and verify	35 sec
PIC16C67	programming and verify	10 sec
PIC18F452	programming and verify	4 sec

**Conditions:**

*P4, 2,4GHz,ECP, Windows XP*

---

## **SOFTWARE**

- **Algorithms:** only manufacturer approved or certified algorithms are used. Custom algorithms are available at additional cost.
- **Algorithm updates:** software updates are available approx. every 2 weeks, free of charge.
- **Main features:** revision history, session logging, on-line help, device and algorithm information

### ***Device operations***

- **standard:**
  - intelligent device selection by device type, manufacturer or typed fragment of part name
  - automatic ID-based selection of EPROM/Flash EPROM
  - blank check, read, verify
  - program
  - erase
  - configuration and security bit program
  - illegal bit test
  - checksum
- **security**
  - insertion test, reverse insertion check
  - contact check
  - ID byte check
- **special**
  - production mode (automatic start immediately after device insertion)
  - auto device serial number increment
  - statistic
  - count-down mode

### ***Buffer operations***

- view/edit, find/replace
- fill/copy, move, byte swap, word/dword split
- checksum (byte, word)
- print

### ***Supported file formats***

- unformatted (raw) binary
- HEX: Intel, Intel EXT, Motorola S-record, MOS, Exormax, Tektronix, ASCII-space-HEX
- Altera POF, JEDEC (ver. 3.0.A), eg. from ABEL, CUPL, PALASM, TANGO PLD, OrCAD PLD, PLD Designer ISDATA, etc.



---

## **PC system requirements**

See section *Introduction/ PC requirements*

### **GENERAL**

- operating voltage 12..15V AC, max. 1A or 15..18V DC, max. 1A
- power consumption max. 12W active, 2.5W inactive
- dimensions 275x157x58 mm (10.8x6.2x2.3 inch)
- weight (without external adapter) 1.8kg (4 lb)
- temperature 5°C ÷ 40°C (41°F ÷ 104°F)
- humidity 20%..80%, non condensing

### **Package included**

- 865, base unit
- 865, DIL48 socket module
- connection cable PC-programmer
- diagnostic POD for self test
- anti-dust cover for ZIF socket
- switched power adapter 100..240V AC/15V DC/1A
- user manual
- software
- registration card
- transport case

### **Additional services**

- AlgOR
- free technical support (phone/fax/e-mail).
- free lifetime software update via Web site.

---

# 866

---





---

## Introduction

**866** is a first member of new USB-compatible generation of Windows 95/98/Me/NT/2000/XP based B+K PRECISION **universal programmers** built to meet the strong demand of the developers' community for the fast, the all programmer user community of users.

**866** supports all kinds of types and silicon technologies of today and tomorrow programmable devices without family-specific module. Using build-in in-circuit serial programming (ISP) connector the programmer is able to program ISP capable chips in circuit.

**866** isn't only programmer, but also tester of TTL/CMOS logic ICs and memories. Furthermore, it allows generating user-definable test pattern sequences.

**866** provides very competitive price but excellent hardware design for reliable programming. Probably it has best "value for money" programmer in this class.

**866** provides **very fast programming** due to high-speed FPGA driven hardware and execution of time-critical routines inside of the programmer. It is least fast than competitors in this category.

**866** interfaces with the IBM PC Pentium compatible or higher, portable or desktop personal computers through USB (2.0) port or any standard parallel (printer) port. Programmer also supports IEEE1284 (ECP/EPP) high-speed parallel port. Support of USB/LPT port connection give you choice to connect the 866 programmer to any PC, from latest notebook to older desktop without USB port.

**866** has a FPGA based totally reconfigurable 48 powerful TTL pindrivers provide H/L/pull\_up/pull\_down and read capability for each pin of socket. Advanced pindrivers incorporate **high-quality high-speed** circuitry to deliver signals without overshoot or ground bounce for all supported devices. Pin drivers operate down to 1.8V so you'll be ready to program the full range of today's advanced low-voltage devices.

**866** performs device **insertion test** (wrong or backward position) and **contact check** (poor contact pin-to-socket) before it programs each device. These capabilities, supported by **overcurrent protection** and **signature-byte check** help prevent chip damage due to operator error.

Built-in **protection circuits** eliminate damage of programmer and/or programmed device due environment or operator

---

failure. All the inputs of the 866 programmer, including the ZIF socket, connection to PC and power supply input, are **protected against ESD** up to 15kV.

**866** programmer performs programming **verification** at the **marginal level** of supply voltage, which, obviously, improves programming yield, and guarantees long data retention.

Various **socket converters** are available to handle device in PLCC, SOIC, PSOP, SSOP, TSOP, TSSOP, TQFP, QFN (MLF), SDIP, BGA and other packages.

**866** programmer is driven by an **easy-to-use** control program with pull-down menu, hot keys and on-line help. Selecting of device is performed by its class, by manufacturer or simply by typing a fragment of vendor name and/or part number.

**Standard** device-related commands (read, blank check, program, verify, erase) are boosted by some **test functions** (insertion test, signature-byte check), and some **special functions** (autoincrement, production mode - start immediately after insertion of chip into socket).

All known data formats are supported. Automatic file format detection and conversion during load of file.

The rich-featured **autoincrement function** enables to assign individual serial numbers to each programmed device - or simply increments a serial number, or the function enables to read serial numbers or any programmed device identification signatures from a file.

The software also provides a many informations about programmed device. As a special, the drawing of all available packages are provided. The software provide also explanation of chip labeling (the meaning of prefixes and suffixes at the chips) for each supported chip.

It is important to remember that in most cases new devices require **only a software update** due to the 866 is truly universal programmer. With our prompt service you can have new devices can be added to the current list within hours!

Advanced design including protection circuits, original brand components and careful manufacturing allows us to provide a **three-year warranty** on parts and labor for the 866 (limited 25,000-cycle warranty on ZIF socket).



## 866 elements

- ① 48 pin ZIF socket
- ② LED indicator power/sleep
- ③ LED indicators for work result
- ④ YES! Button



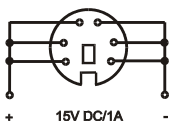
- ⑤ LPT connector for PC <-> 866 communication cable
- ⑥ USB connector for PC <-> 866 communication cable
- ⑦ Power supply connector



- ⑧ ISP connector



Power supply connector





---

**Note:** *Due to low power consumption of 866 in inactive state, it doesn't require power switch. When the power LED indicator glows with a low intensity the 866 is in inactive mode.*

## Connecting 866 to the PC

### Using LPT port

Switch off PC and programmer. Insert the communication cable included with your 866 programmer package to a free printer port on your PC. If your computer is equipped with only one printer port, substitute the programmer cable for the printer cable. Connect the opposite cable end to the programmer. Screw on both connectors to counter-connectors. This is very important. It may be uncomfortable to switch between printer cable and programmer cable, though it is not recommended to operate the 866 programmer through a mechanical printer switch. Use of an electronic printer switch is impossible. But you can install a second multi-I/O in your computer, thus obtaining a supplementary printer port, says LPT2. So your printer may remain on LPT1 while the programmer on LPT2.

Switch on the PC.

Connect the mains connector of the power supply to a mains plug, and then connect the mini-DIN connector to the programmer's connector labeled "15VDC". At this time all 'work result' LEDs (and 'POWER' LED) light up successive and then switch off. Once the POWER LED lights with low brightness then the 866 programmer is ready to run.

Next run the control program for 866.

**Caution!** *If you don't want to switch off your PC when connecting the 866, proceed as follows:*

- **When connecting** the programmer to the PC: **FIRST** insert the **communications cable** and **THEN** the **power-supply connector**.
- **When disconnecting** the programmer from the PC: **FIRST** disconnect the **power-supply connector** and **THEN** the **communication cable**.

From 866's point of view the connecting and disconnecting sequence is irrelevant. Protection circuits on all programmer inputs keep it safe. **But think of your PC please.**

### Using USB port

In this case, order of connecting USB cable and power supply to programmer is irrelevant.



---

## **Problems related to the 866 ⇔ PC interconnection, and their removing**

If you have any problems with 866 ⇔ PC interconnection, see section **Common notes** please.

## **Manipulation with the programmed device**

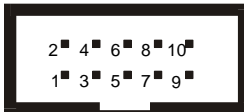
After selection of desired device for your work, you can insert into the open ZIF socket (the lever is up) and close socket (the lever is down). The correct orientation of the programmed device in ZIF socket is shown on the picture near ZIF socket on the programmer's cover. The programmed device is necessary to insert into the socket also to remove from the socket when LED BUSY light off.

**Note:** *Programmer's protection electronics protect the target device and the programmer itself against either short or long-term power failures and, partly, also against a PC failure. However, it is not possible to grant the integrity of the target device due to incorrect, user-selected programming parameters. Target device may be not destroyed by forced interruption of the control program (reset or switch-off PC), by removing the physical connection to the programmer, but the content of actually programmed cell may remains undefined. Don't unplug the target device from the ZIF socket during work with device (LED BUSY shine).*

## **In-system serial programming by 866**

For general definition, recommendation and direction about ISP see section **Common notes / ISP** please.

### **Description of 866 ISP connector**



Front view at ISP connector of programmer.

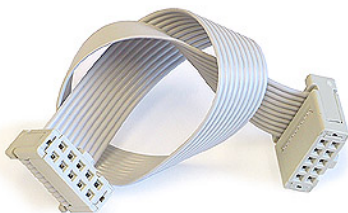
Specification of ISP connector pins depends on the device, which you want to program. You can find it in the control SW

---

for programmer (PG4UW), menu **Device / Device Info (Ctrl+F1)**. Be aware, the ISP programming way of respective device must be selected. It is indicated by (ISP) suffix after name of selected device.

These specifications correspond with application notes published of device manufacturers. Used application notes you may find on [www.bkprecision.com](http://www.bkprecision.com).

**Note:** Pin no. 1 is signed by triangle scratch on ISP cable connectors.

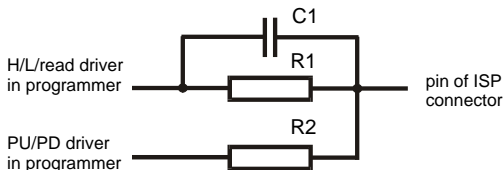


866 ISP cable

**Warnings:**

- **When you use 866 as ISP programmer, don't insert device to ZIF socket.**
- **When you program devices in ZIF socket, don't insert ISP cable to ISP connector.**
- Use only **attached ISP cable**. When you use other ISP cable (other material, length...), programming may occur unreliable.
- **866 can supply** programmed device (pin 1 of ISP connector) and target system (pin 5 of ISP connector) with limitation (see Technical specification / ISP connector), but target system **cannot supply 866**.
- 866 apply programming voltage to target device and checks his value (target system can modify programming voltage). If the programming voltage is different as expected, no action with target device will be executed.

**Note:** H/L/read 866 driver





## ***Multiprogramming by 866***

Attaching of more 866 programmers to the same PC (through USB port) is achieved a powerful multiprogramming system with as much chips supported as 866 can and without obvious decreasing of programming speed. It is important to know, there is a concurrent multiprogramming - each programmer works independently and each programmer can program different chip, if necessary.

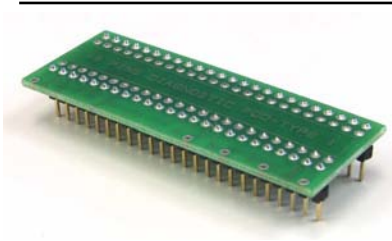
During installation of PG4UW at Select Additional Tasks window check, if is allowed install 866 multiprogramming control support.

For start of 866 multiprogramming is necessary run special control program **pg4uwmc.exe**. At this program user assign 866 to control programs, may load projects for all 866 and run PG4UW for every connected and assigned 866.



## ***Selftest and calibration***

If you feel that your programmer does not react according to your expectation, please run the programmer selftest using Diagnostic POD, enclosed with the standard delivery package. For optimal results with programmer we recommend you undertake every 6 months, an extended test and to check the calibration. See instructions for selftest in the **Diagnostics** menu of PG4UW.



## ***Technical specification***

### ***HARDWARE***

#### ***Base unit, DACs***

- USB 2.0 port
- FPGA based IEEE 1284 slave printer port, up to 1MB/s transfer rate
- on-board intelligence: powerful microprocessor and FPGA based state machine
- three D/A converters for VCCP, VPP1, and VPP2, controllable rise and fall time
- VCCP range 0..8V/1A
- VPP1, VPP2 range 0..26V/1A
- autocalibration
- selftest capability
- protection against surge and ESD on power supply input, parallel port connection

#### ***Socket, pindriver***

- 48-pin DIL ZIF (Zero Insertion Force) socket accepts both 300/600 mil devices up to 48-pin
- pindrivers: 48 universal
- VCCP / VPP1 / VPP2 can be connected to each pin
- perfect ground for each pin
- FPGA based TTL driver provides H, L, CLK, pull-up, pull-down on all pindriver pins
- analog pindriver output level selectable from 1.8 V up to 26V
- current limitation, overcurrent shutdown, power failure shutdown
- ESD protection on each pin of socket (IEC1000-4-2: 15kV air, 8kV contact)
- continuity test: each pin is tested before every programming operation



## **ISP connector**

- 10-pin male type with missinsertion lock
- 6 TTL pindrivers, provides H, L, CLK, pull-up, pull-down; level H selectable from 1.8V up to 5V to handle all (low-voltage including) devices.
- 1x VCCP voltage (range 2V..7V/100mA) and 1x VPP voltage (range 2V..25V/50mA)
- programmed chip voltage (VCCP) with both source/sink capability and voltage sense
- target system supply voltage (range 2V..6V/250mA)

## **DEVICE SUPPORT**

### **Programmer, in ZIF socket**

- EPROM: NMOS/CMOS, 2708\*, 27xxx and 27Cxxx series, with 8/16 bit data width, full support for LV series
- EEPROM: NMOS/CMOS, 28xxx, 28Cxxx, 27EExxx series, with 8/16 bit data width
- Flash EPROM: 28Fxxx, 29Cxxx, 29Fxxx, 29BVxxx, 29LVxxx, 29Wxxx, 49Fxxx series, from 256Kbit to 32Mbit, with 8/16 bit data width, full support for LV series
- Serial E(E)PROM: 24Cxxx, 24Fxxx, 25Cxxx, 45Dxxx, 59Cxxx, 25Fxxx, 25Pxxx, 85xxx, 93Cxxx, NVM3060, MDAxxx series, full support for LV series
- Configuration (EE)PROM: XCFxxx, XC17xxxx, XC18Vxxx, EPCxxx, AT17xxx, 37LVxx
- 1-Wire E(E)PROM: DS1xxx, DS2xxx
- PROM: AMD, Harris, National, Philips/Signetics, Tesla, TI
- NV RAM: Dallas DSxxx, SGS/Inmos MKxxx, SIMTEK STKxxx, XICOR 2xxx, ZMD U63x series
- PLD: Altera: MAX 3000A, MAX 7000A, MAX 7000B, MAX 7000S, MAX7000AE
- PLD: Lattice: ispGAL22V10x, ispLSI1xxx, ispLSI1xxxEA, ispLSI2xxx, ispLSI2xxxA, ispLSI2xxxE, ispLSI2xxxV, ispLSI2xxxVE, ispLSI2xxxVL, LC4xxxB/C/V/ZC, M4-xx/xx, M4A3-xx/xx, M4A5-xx/xx, M4LV-xx/xx
- PLD: Xilinx: XC9500, XC9500XL, XC9500XV, CoolRunner XPLA3, CoolRunner-II
- other PLD: SPLD/CPLD series: AMI, Atmel, AMD-Vantis, Gould, Cypress, ICT, Lattice, NS, Philips, STM, VLSI, TI
- Microcontrollers 48 series: 87x41, 87x42, 87x48, 87x49, 87x50 series
- Microcontrollers 51 series: 87xx, 87Cxxx, 87LVxx, 89Cxxx, 89Sxxx, 89LVxxx, all manufacturers, Philips LPC series
- Microcontrollers Intel 196 series: 87C196 KB/KC/KD/KT/KR/...
- Microcontrollers Atmel AVR: AT90Sxxxx, ATtiny, ATmega series

- 
- Microcontrollers Cypress: CY8Cxxxxx
  - Microcontrollers ELAN: EM78Pxxx
  - Microcontrollers Microchip PICmicro: PIC10xxx, PIC12xxx, PIC16xxx, PIC17Cxxx, PIC18xxx, dsPIC series
  - Microcontrollers Motorola: 68HC05, 68HC08, 68HC11 series
  - Microcontrollers National: COP8xxx series
  - Microcontrollers NEC: uPD78Pxxx series
  - Microcontrollers Scenix (Ubicom): SXxxx series
  - Microcontrollers SGS-Thomson: ST6xx, ST7xx, ST10xx series
  - Microcontrollers TI: MSP430 and MSC121x series
  - Microcontrollers ZILOG: Z86/Z89xxx and Z8xxx series
  - Microcontrollers other: EM Microelectronic, Fujitsu, Goal Semiconductor, Hitachi, Holtek, Princeton, Macronix, Winbond, Infineon(Siemens), NEC, Samsung, Toshiba, ...

### ***Programmer, through ISP connector***

- Serial E(E)PROM: IIC series
- Microcontrollers Atmel: AT89Sxxx, AT90Sxxxx, ATtiny, ATmega series
- Microcontrollers Cypress: CY8C2xxxx
- Microcontrollers Elan: EM78Pxxx
- Microcontrollers EM Microelectronic: 4 and 8 bit series
- Microcontrollers Microchip PICmicro: PIC10xxx, PIC12xxx, PIC16xxx, PIC17xxx, PIC18xxx, dsPIC series
- Microcontrollers Motorola/Freescale: HC08 GT, LJ, QY, QT series
- Microcontrollers Philips: LPC series
- Microcontrollers TI: MSP430
- PLD: Lattice: ispGAL22xV10x, ispLSI1xxxEA, ispLSI2xxxE, ispLSI2xxxV, ispLSI2xxxVE, ispLSI2xxxVL, M4-xx/xx, M4LV-xx/xx, M4A3-xx/xx, M4A5-xx/xx, LC4xxxB/C/V/ZC
- Various PLD (also by JAM player/JTAG support):
- Altera: MAX 3000A, MAX 7000A, MAX 7000B, MAX 7000S, MAX 9000, MAX II
- Xilinx: XC9500, XC9500XL, XC9500XV, CoolRunner XPLA3, CoolRunner-II

#### **Notes:**

- *Devices marked \* are obsolete, programming with additional module*
- *For all supported devices see actual **Device list***

### ***I.C. Tester***

- TTL type: 54,74 S/LS/ALS/H/HC/HCT series
- CMOS type: 4000, 4500 series
- static RAM: 6116.. 624000
- user definable test pattern generation

### ***Package support***

- package support includes DIP, PLCC, SOIC, PSOP, SSOP, TSOP, TSSOP, TQFP, QFN (MLF), SDIP, BGA and other



- support all devices in DIP with default socket
- support devices in non-DIP packages up to 48 pins with universal adapters
- programmer is compatible with third-party adapters for non-DIP support

## Programming speed

Device	Operation	Time B
AT29C040A	programming and verify	21 sec
AM29DL323DB	programming and verify	38 sec
AM29DL640	programming and verify	76 sec
AT45D081	programming and verify	43 sec
AT89C51RD2	programming and verify	15 sec
PIC18F452	programming and verify	4 sec

Conditions: P4, 2,4GHz,ECP, Windows XP

## SOFTWARE

- **Algorithms:** only manufacturer approved or certified algorithms are used. Custom algorithms are available at additional cost.
- **Algorithm updates:** software updates are available approx. every 2 weeks, free of charge.
- **Main features:** revision history, session logging, on-line help, device and algorithm information

## Device operations

- **standard:**
  - intelligent device selection by device type, manufacturer or typed fragment of part name
  - automatic ID-based selection of EPROM/Flash EPROM
  - blank check, read, verify
  - program
  - erase
  - configuration and security bit program
  - illegal bit test
  - checksum
- **security**
  - insertion test, reverse insertion check
  - contact check
  - ID byte check
- **special**
  - production mode (automatic start immediately after device insertion)
  - auto device serial number increment
  - statistic
  - count-down mode



---

## **Buffer operations**

- view/edit, find/replace
- fill/copy, move, byte swap, word/dword split
- checksum (byte, word)
- print

## **Supported file formats**

- unformatted (raw) binary
- HEX: Intel, Intel EXT, Motorola S-record, MOS, Exormax, Tektronix, ASCII-space-HEX
- Altera POF, JEDEC (ver. 3.0.A), e.g. from ABEL, CUPL, PALASM, TANGO PLD, OrCAD PLD, PLD Designer ISDATA, etc.

## **PC system requirements**

See section *Introduction/ PC requirements*

## **GENERAL**

- operating voltage 15..18V DC, max. 1A
- power consumption max. 12W active, about 2W inactive
- dimensions 160x190x42 mm (6.3x7.5x1.7 inch)
- weight (without external adapter) 900g (2lbs)
- temperature 5°C ÷ 40°C (41°F ÷ 104°F)
- humidity 20%..80%, non condensing

## **Package included**

- 866 programmer
- connection cable PC-programmer, LPT port
- connection cable PC-programmer, USB port
- ISP cable
- diagnostic POD for selftest
- anti-dust cover for ZIF socket
- switching power adapter 100..240V AC/15V DC/1A
- user manual
- software
- registration card
- transport case

## **Additional services**

- Keep Current.
- AlgOR
- free technical support (phone/fax/e-mail).
- free lifetime software update via Web site.



---

**864**

---



---

## Introduction

**864** is a universal **programmer** that supports programmable integrated circuits or devices manufactured in various technologies. Powerful internal pin-driver electronics controls logic levels, pull-up/pull-down, clock, ground, one power supply and two programming supplies and is able to read all 48 pins independently. This advanced design gives 864 the ability to handle almost every programmable device in DIL package up to 48 pins without any adapters and/or family modules. This design philosophy allows B+K PRECISION to easily add new devices to the device list, giving you the freedom to implement the optimum device in your designs.

**864** is also a **tester** of TTL/CMOS logic circuits and various memories. Furthermore, it can generate user-definable **test pattern sequences**. 864 is a true universal and a true low-cost programmer, providing the best "value for money" in today's market.

**864** works with the IBM PC Pentium compatible or higher, portable or desktop personal computers. No special interface card is required to connect to the PC since 864 uses the **standard parallel printer port**. The 864 control program also supports bi-directional protocols for the parallel connection to the PC printer port providing fast and reliable **communication speed**.

The programmer has on-board intelligence and is controlled by powerful Microcontroller system and support devices. 864 has been designed for **multitasking operating systems** and is able to perform time-critical programming sequences independently of the PC operating system status and without being interrupted by any other parallel process running on the PC. Consequently, 864 works without any problem on systems running Windows 95/98/Me/NT/2000/XP.

**864** performs **device insertion test** (wrong or backward position) and contact check (poor contact pin-to-socket) before it programs any device. These capabilities, supported by current limit protection and signature-byte check, help prevent chip damage due to operator error.

**Built-in protection circuits** help prevent damage of the target device due to mains supply fluctuations, communication errors or if the PC operating system fails. In the event of such errors the 864 performs independently of the PC exactly specified special sequences so that the target device remains intact. 864 performs **self test** (diagnostic tests), including verification of pin-driver voltage/level, for accurate timing of the signals



---

applied to the target device and for reliable communication with the PC.

**864** incorporates optimal PCB design criteria to minimize unwanted effects at the pins of the target socket (such as ground-bouncing and supply/programming voltage glitches). All the inputs of the 864, including the socket, are **protected against ESD** and whilst inserted the target device is also protected against ESD damage.

**864** performs programming **verification** at the marginal level of supply voltage, which, obviously, improves programming yield and guarantees long data retention.

Various **socket converters** are available to handle device in PLCC, SOIC, PSOP, SSOP, TSOP, TSSOP, TQFP, QFN (MLF), SDIP, BGA and other packages.

**864** programmer is driven by an **easy-to-use** control program with pull-down menu, hot keys and on-line help. Selecting of device is performed by its class, by manufacturer or simply by typing a fragment of vendor name and/or part number.

**Standard** device-related commands (read, blank check, program, verify, erase) are boosted by some **test functions** (insertion test, signature-byte check), and some **special functions** (autoincrement, production mode - start immediately after insertion of chip into socket).

All known data formats are supported. Automatic file format detection and conversion during load of file.

The rich-featured **autoincrement function** enables to assign individual serial numbers to each programmed device - or simply increments a serial number, or the function enables to read serial numbers or any programmed device identification signatures from a file.

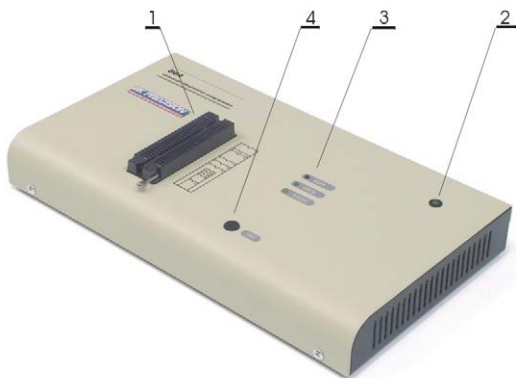
The software also provides a many informations about programmed device. As a special, the drawing of all available packages are provided. The software provide also explanation of chip labeling (the meaning of prefixes and suffixes at the chips) for each supported chip.

It is important to remember that in most cases new devices require **only a software upgrade** since the 864 has 48 true pin drivers, which can perform as required under program control. With our prompt service new devices can be added to the current list within hours!

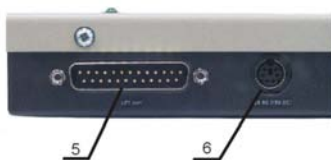
Advanced design, including protection circuits, original brand components and careful manufacturing allows us to provide a **one-year warranty** on parts and labor for the 864 (limited 25,000-cycle warranty on ZIF socket).

## 864 elements

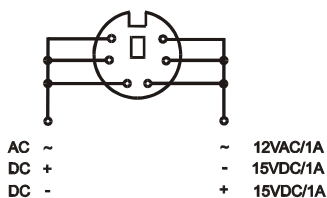
- ① 48 pin ZIF (Zero Insertion Force) socket
- ② LED indicator power/sleep
- ③ LED indicators for work result
- ④ YES! Button



- ⑤ Connector for PC <-> 864 communication cable
- ⑥ Power supply connector



Power supply connector





---

**Note:** *Due to low power consumption of 864 in inactive state, it doesn't require power switch. When the power LED indicator glows with a low intensity the 864 is in inactive mode.*

## Connecting 864 to the PC

Switch off PC and programmer. Insert the communication cable included with your 864 programmer package to a free printer port on your PC. If your computer is equipped with only one printer port, substitute the programmer cable for the printer cable. Connect the opposite cable end to the programmer. Screw on both connectors to counter-connectors. This is very important. It may be uncomfortable to switch between printer cable and programmer cable, though it is not recommended to operate the 864 programmer through a mechanical printer switch. Use of an electronic printer switch is impossible. But you can install a second multi-I/O in your computer, thus obtaining a supplementary printer port, says LPT2. So your printer may remain on LPT1 while the programmer on LPT2.

Switch on the PC.

Connect the mains connector of the power supply (or the wall-plug power supply itself) to a mains plug, then connect the mini-DIN connector to the programmer's connector labeled "12VAC". At this time all 'work result' LEDs (and 'POWER' LED) light up successive and then switch off. Once the POWER LED lights with low brightness then the 864 programmer is ready to run.

Next run the control program for 864.

**Note:** *When the PC is switch off and you turn on programmer, LED maybe not blinking, before programmer maybe permanent on reset.*

**Caution!** *If you don't want to switch off your PC when connecting the 864, proceed as follows:*

- **When connecting** the programmer to the PC: **FIRST** insert the **communications cable** and **THEN** the **power-supply connector**.
- **When disconnecting** the programmer from the PC: **FIRST** disconnect the **power-supply connector** and **THEN** the **communication cable**.

From 864's point of view the connecting and disconnecting sequence is irrelevant. Protection circuits on all programmer inputs keep it safe. **But think of your PC please.**

---

## **Problems related to the 864 ⇔ PC interconnection, and their removing**

If you have any problems with 864 ⇔ PC interconnection, see section **Common notes** please.

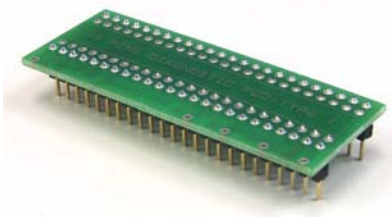
## **Manipulation with the programmed device**

After selection of desired device for your work, you can insert into the open ZIF socket (the lever is up) and close socket (the lever is down). The correct orientation of the programmed device in ZIF socket is shown on the picture near ZIF socket on the programmer's cover. The programmed device is necessary to insert into the socket also to remove from the socket when LED BUSY light off.

**Note:** *Programmer's protection electronics protect the target device and the programmer itself against either short or long-term power failures and, partly, also against a PC failure. However, it is not possible to grant the integrity of the target device due to incorrect, user-selected programming parameters. Target device may be not destroyed by forced interruption of the control program (reset or switch-off PC), by removing the physical connection to the programmer, but the content of actually programmed cell may remains undefined. Don't unplug the target device from the ZIF socket during work with devices (LED BUSY shine).*

## **Self test and Calibration**

If you feel that your programmer does not react according to your expectation, please run the programmer self test using Diagnostic POD, enclosed with the standard delivery package. For optimal results with programmer we recommend you undertake every 6 months, an extended test and to check the calibration. See instructions for self test in the **Diagnostics** menu of PG4UW.





## Technical specification

### HARDWARE

#### Socket, pin drivers and DACs

- 48-pin DIL ZIF (Zero Insertion Force) socket accepts both 300/600 mil devices up to 48-pin
- Three D/A converters for VCCP, VPP1, and VPP2, with controllable rise and fall time and current limitation
- TTL driver provides H, L, CLK, pull-up, pull-down, or tri-state on all 48 pins
- full support of Low Voltage circuits from 1.8 V up
- autocalibration

### DEVICE SUPPORT

#### Programmer

- EPROM: NMOS/CMOS, 1702\*, 2708\*, 27xxx and 27Cxxx series, with 8/16 bit data width, full support for LV series
- EEPROM: NMOS/CMOS, 28xxx, 28Cxxx, 27EExxx series, with 8/16 bit data width
- Flash EPROM: 28Fxxx, 29Cxxx, 29Fxxx, 29BVxxx, 29LVxxx, 29Wxxx, 49Fxxx series, from 256Kbit to 32Mbit, with 8/16 bit data width, full support for LV series
- Serial E(E)PROM: 24Cxxx, 24Fxxx, 25Cxxx, 45Dxxx, 59Cxxx, 25Fxxx, 25Pxxx, 85xxx, 93Cxxx, NVM3060, MDAxxx series, full support for LV series
- Configuration (EE)PROM: XCFxxx, XC17xxxx, XC18Vxxx, EPCxxx, AT17xxx, 37LVxx
- PROM: AMD, Harris, National, Philips, Signetics, Tesla, TI
- NV RAM: Dallas DSxxx, SGS/Inmos MKxxx, SIMTEK STKxxx, XICOR 2xxx, ZMD U63x series
- PLD: Altera: MAX 3000A, MAX 7000A, MAX 7000B, MAX 7000S, MAX7000AE
- PLD: Lattice: ispGAL22V10x, ispLSI1xxx, ispLSI1xxxEA, ispLSI2xxx, ispLSI2xxxA, ispLSI2xxxE, ispLSI2xxxV, ispLSI2xxxVE, M4-xx/xx, M4A3-xx/xx, M4A5-xx/xx, M4LV-xx/xx
- PLD: Xilinx: XC9500, XC9500XL, XC9500XV, CoolRunner XPLA3, CoolRunner-II
- other PLD: SPLD/CPLD series: AMI, Atmel, AMD-Vantis, Gould, Cypress, ICT, Lattice, NS, Philips, STM, VLSI, TI
- Microcontrollers 48 series: 87x41, 87x42, 87x48, 87x49, 87x50 series
- Microcontrollers 51 series: 87xx, 87Cxxx, 87LVxx, 89Cxxx, 89Sxxx, 89LVxxx, all manufacturers, Philips 87C748..752



---

series, Philips LPC series, Cygnal/Silicon Laborat. C8051 series

- Microcontrollers Intel 196 series: 87C196 KB/KC/KD/KT/KR/...
- Microcontrollers Atmel AVR: AT90Sxxxx, ATtiny series
- Microcontrollers ELAN: EM78Pxxx
- Microcontrollers Microchip PICmicro: PIC10xxx, PIC12Cxxx, PIC16C5x, PIC16Cxxx, PIC17Cxxx, PIC18Cxxx, dsPIC series
- Microcontrollers Motorola: 68HC11 series (1)
- Microcontrollers National: COP8xxx series
- Microcontrollers NEC: uPD78Pxxx series
- Microcontrollers Scenix (Ubicom): SXxxx series
- Microcontrollers SGS-Thomson: ST6xx series
- Microcontrollers TI: MSP430 series
- Microcontrollers ZILOG: Z86xxx series
- Microcontrollers other: Cypress, EM Microelectronic, Fujitsu, Goal Semiconductor, Princeton, Macronix, Winbond, Hitachi, Holtek, Infineon(Siemens), NEC, Samsung, Toshiba, ...

**Note:**

- *Devices marked \* are obsolete, programming with additional module*
- *For all supported devices see actual **Device list***

### **I.C. Tester**

- TTL type: 54,74 S/LS/ALS/H/HC/HCT series
- CMOS type: 4000, 4500 series
- static RAM: 6116 .. 624000
- user definable test pattern generation

### **Package support**

- package support includes DIP, PLCC, SOIC, PSOP, SSOP, TSOP, TSSOP, TQFP, QFN (MLF), SDIP, BGA and other
- support all devices in DIP with default ZIF-48 socket
- support devices in non-DIP packages up to 48 pin with universal adapter (optional accessory, to be ordered separately)
- compatible with third-party adapters for non-DIP support

### **Programming speed**

Device	Operation	Time
27C010	programming and verify	39 sec
AT29C040A	programming and verify	75 sec
AM29F040	programming and verify	165 sec
PIC16C67	programming and verify	30 sec

**Conditions:**

*P4, 2,4GHz,ECP, Windows XP*



---

## **SOFTWARE**

- **Algorithms:** only manufacturer approved or certified algorithms are used.
- **Algorithm updates:** software updates are available approx. every 2 weeks, free of charge.
- **Main features:** revision history, session logging, on-line help, device and algorithm information

## **Device operations**

- **standard:**
  - automatic ID-based selection of EPROM/Flash EPROM
  - blank check
  - read
  - program
  - verify
  - erase
  - configuration and security bit program
  - illegal bit test
  - checksum
- **security**
  - insertion test
  - contact check
  - ID byte check
- **special**
  - production mode (automatic start immediately after device insertion)
  - automatic device serial number incrementation
  - statistics
  - count-down

## **Buffer operations**

- view/edit, find/replace
- fill/copy, move, byte swap, word/dword split
- checksum (byte, word)
- print

## **Supported file formats**

- unformatted (raw) binary
- HEX: Intel, Intel EXT, Motorola S, MOS, Exormax, Tektronix, ASCII-space-HEX
- POF (Altera), JEDEC (ver. 3.0.A), for example from ABEL, CUPL, PALASM, TANGO PLD, OrCAD PLD, PLD Designer ISDATA etc.

---

## ***PC system requirements***

See section *Introduction/ PC requirements*

### ***GENERAL***

- operating voltage 12..15V AC, max.1A or 15..18V DC, max. 1A
- power consumption - max. 12W in active, 1.5W inactive
- dimensions 275x157x47 mm (10.8x6.2x1.9 inch)
- weight (without external adapter) 1.5kg (3.3 lb)
- temperature 5°C ÷ 40°C (41°F ÷ 104°F)
- humidity 20%.80%, non condensing

### ***Package included***

- 864 programmer
- connection cable PC-programmer
- diagnostic POD for self test
- anti-dust cover to ZIF socket
- switching power adapter 100..240V AC/15V DC/1A
- user manual
- software
- registration card
- transport case

### ***Additional services***

- AlgOR
- free technical support (phone/fax/e-mail).
- free lifetime software update via Web site.



---

# 844USB

---



---

## Introduction

**844USB** is next member of new generation of Windows 95/98/Me/NT/2000/XP based B+K PRECISION universal programmers. Programmer is built to meet the demands of the development labs and field engineers to universal, but portable programmer.

**844USB** is a small, fast and powerful programmer of all kinds of programmable devices. Using build-in in-circuit serial programming (ISP) connector the programmer is able to program ISP capable chips in-circuit.

**844USB** provides very competitive price but excellent hardware design for reliable programming. Nice "value for money" in this class.

Very fast programming due to high-speed FPGA driven hardware and USB 2.0 full speed port. It is surely faster than competitors in this category.

**844USB** interfaces with the IBM PC Pentium compatible or higher, portable or desktop personal computers through USB port. Therefore you can take programmer and move it to another PC without assembly/disassembly of PC.

**844USB** has 40 powerful TTL pindrivers provide H/L/pull\_up/pull\_down and read capability for each pin of socket. Advanced pindrivers incorporate high-quality high-speed circuitry to deliver signals without overshoot or ground bounce for all supported devices. Pin drivers operate down to 1.8V so you'll be ready to program the full range of today's advanced low-voltage devices.

The programmer performs **device insertion test** (wrong device position in socket) and contact check (poor contact pin-to-socket) before it programs each device. These capabilities, supported by signature-byte check help prevent chip damage due to operator error.

Programmer's hardware offers enough resources for **selftest**, that control program is any time be able to check pindrivers, present and correct level of all voltages, check the timing and communication between programmer and PC.

**844USB** programmer performs programming **verification** at the marginal level of supply voltage, which, obviously, improves programming yield, and guarantees long data retention.



---

**844USB** programmer is driven by an **easy-to-use** control program with pull-down menu, hot keys and on-line help. Selecting of device is performed by its class, by manufacturer or simply by typing a fragment of vendor name and/or part number.

**Standard** device-related commands (read, blank check, program, verify, erase) are boosted by some **test functions** (insertion test, signature-byte check), and some **special functions** (autoincrement).

All known data formats are supported. Automatic file format detection and conversion during load of file.

The rich-featured **autoincrement function** enables to assign individual serial numbers to each programmed device - or simply increments a serial number, or the function enables to read serial numbers or any programmed device identification signatures from a file.

The software also provides a many informations about programmed device. As a special, the drawings of all available packages are provided. The software provides also explanation of chip labeling (the meaning of prefixes and suffixes at the chips) for each supported chip.

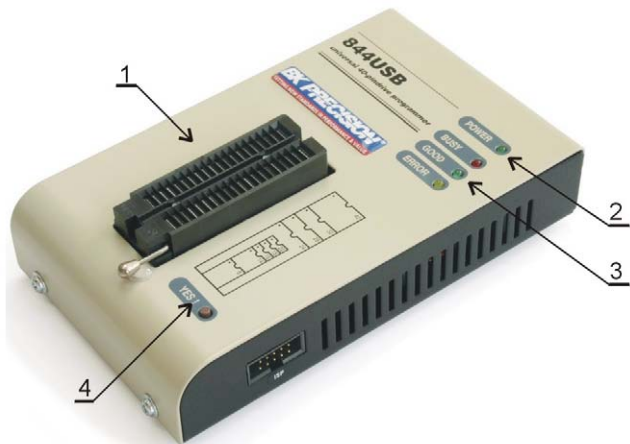
Various **socket converters** are available to handle device in PLCC, SOIC, SSOP, TSOP, TSSOP, TQFP, QFN (MLF) and other packages.

Advanced design, including protection circuits, original brand components and careful manufacturing allows us to provide a **three-year warranty** on parts and labor for the 844USB (limited 25,000-cycle warranty on ZIF socket).

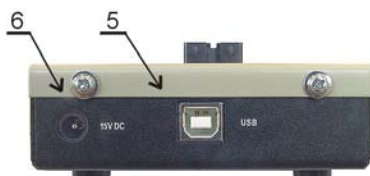
---

## 844USB elements

- ① 40 pin ZIF socket
- ② LED power/sleep
- ③ LED, which indicate work result
- ④ YES! button



- ⑤ USB connector for PC ↔ 844USB communication cable
- ⑥ Power supply connector



- ⑦ Connector for ISP



Power supply connector





---

**Note:** Due to low power consumption of 844USB in inactive state, it doesn't require power switch. When the power LED indicator glows with a low intensity the 844USB is in inactive mode.

## Connecting 844USB to PC

For 844USB order of connecting USB cable and power supply to programmer is irrelevant.

### **Problems related to the 844USB ↔ PC interconnection, and their removing**

If you have any problems with 844USB ↔ PC interconnection, see section **Common notes** please.

## Manipulation with the programmed device

After selection of desired device for your work, you can insert into the open ZIF socket (the lever is up) and close socket (the lever is down). The correct orientation of the programmed device in ZIF socket is shown on the picture near ZIF socket on the programmer's cover. The programmed device is necessary to insert into the socket also to remove from the socket when LED BUSY light off.

**Warning:** 844USB programmer hasn't protection devices, which protect the content of programmed device against critical situations, for example power failures and PC failure (interrupted cable...). Moreover, a device is usually destroyed in the programming mode due to forced interruption of the control program run (Reset or switching the computer off) due to removing the connecting cable, or unplugging the programmed device from the ZIF socket. Incorrectly placed device in the ZIF socket can cause its damage or destruction.

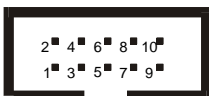
## In-system serial programming by 844USB

For general definition, recommendation and direction about ISP see section **Common notes / ISP** please.



---

## Description of 844USB ISP connector

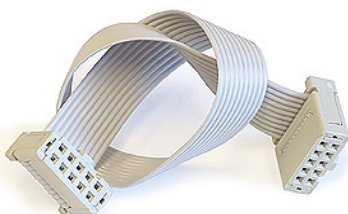


Front view at ISP connector of programmer.

Specification of ISP connector pins depends on the device, which you want to program. You can find it in the control SW for programmer (PG4UW), menu **Device / Device Info (Ctrl+F1)**. Be aware, the ISP programming way of respective device must be selected. It is indicated by (ISP) suffix after name of selected device.

These specifications correspond with application notes published of device manufacturers. Used application notes you may find on [www.bkprecision.com](http://www.bkprecision.com), section application notes.

**Note:** Pin no. 1 is signed by triangle scratch on ISP cable connectors.

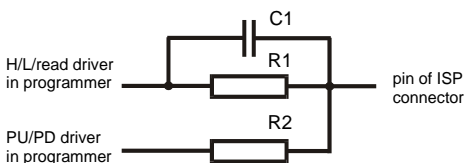


844USB ISP cable

### Warnings:

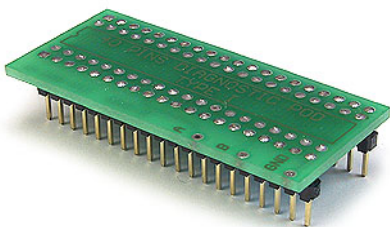
- **When you use 844USB as ISP programmer, don't insert device to ZIF socket.**
- **When you program devices in ZIF socket, don't insert ISP cable to ISP connector.**
- Use only **attached ISP cable**. When you use other ISP cable (other material, length...), programming may occur unreliable.
- **844USB can supply programmed device only, but target system cannot supply 844USB.**
- 844USB apply programming voltage to target device and checks his value (target system can modify programming voltage). If the programming voltage is different as expected, no action with target device will be executed.

**Note:** H/L/read 844USB driver



## ***Selftest and calibration***

If you feel that your programmer does not react according to your expectation, please run the programmer selftest using Diagnostic POD, enclosed with the standard delivery package. For optimal results with programmer we recommend you undertake every 6 months, an extended test and to check the calibration. See instructions for selftest in the **Diagnostics** menu of PG4UW.



## ***Technical specification***

### ***HARDWARE***

#### ***Programmer***

- two D/A converters for VCCP and VPP, controllable rise and fall time
- VCCP range 0..7V/350mA
- VPP range 0..25V/200mA
- USB 2.0/1.1 compatible interface
- autocalibration
- selftest capability

#### ***ZIF socket, pindriver***

- 40-pin DIL ZIF (Zero Insertion Force) socket accepts both 300/600 mil devices up to 40-pins

- 
- pindriver: 40 TTL pindrivers, universal GND/VCC/VPP pindriver
  - FPGA based TTL driver provides H, L, CLK, pull-up, pull-down on all pindriver pins, level H selectable from 1.8 V up to 5V
  - in-circuit serial programming (ISP) capability included
  - continuity test: each pin is tested before every programming operation

## ***ISP connector***

- 10-pin male type with missinsertion lock
- 6 TTL pindrivers, provides H, L, CLK, pull-up, pull-down; level H selectable from 1.8V up to 5V to handle all (low-voltage including) devices.
- 1x VCCP voltage (range 2V..7V/100mA) and 1x VPP voltage (range 2V..25V/50mA)
- programmed chip voltage (VCCP) with both source/sink capability and voltage sense

## ***DEVICE SUPPORT***

### ***Programmer, in ZIF socket***

- EPROM: NMOS/CMOS, 27xxx and 27Cxxx series, with 8/16 bit data width, full support of LV series (\*1\*2)
- EEPROM: NMOS/CMOS, 28xxx, 28Cxxx, 27EExxx series, with 8/16 bit data width, full support of LV series (\*1\*2)
- Flash EPROM: 28Fxxx, 29Cxxx, 29Fxxx, 29BVxxx, 29LVxxx, 29Wxxx, 49Fxxx series, with 8/16 bit data width, full support of LV series (\*1\*2)
- Serial E(E)PROM: 24Cxxx, 24Fxxx, 25Cxxx, 45Dxxx, 59Cxxx, 25Fxxx, 25Pxxx, 85xxx, 93Cxxx, full support for LV series (\*1)
- Configuration (EE)PROM: XCFxxx, 37LVxx, XC17xxxx, EPCxxx, AT17xxx, LV series including
- NV RAM: Dallas DSxxx, SGS/Inmos MKxxx, SIMTEK STKxxx, XICOR 2xxx, ZMD U63x series
- PLD: series: Atmel, AMD-Vantis, Cypress, ICT, Lattice, NS, ... (\*1)
- microcontrollers 51 series: 87Cxxx, 87LVxx, 89Cxxx, 89Sxxx, 89LVxxx, LPC series from Atmel, Atmel W&M, Intel, Philips, SST, Winbond (\*1\*2)
- microcontrollers Atmel AVR: ATtiny, AT90Sxxx, ATmega series (\*1\*2)
- Microcontrollers Cypress: CY8Cxxxxx
- Microcontrollers ELAN: EM78Pxxx
- Microcontrollers EM Microelectronic: 4 and 8 bit series
- microcontrollers Microchip PICmicro: PIC10xxx, PIC12xxx, PIC16xxx, PIC17Cxxx, PIC18xxx, dsPIC series, 8-40 pins (\*1\*2)
- microcontrollers Scenix (Ubicom): SXxxx series



## Programmer, through ISP connector

- Serial E(E)PROM: IIC series
- Microcontrollers Atmel: AT89Sxxx, AT90Sxxxx, ATtiny, ATmega series
- Microcontrollers Cypress: CY8C2xxxx
- Microcontrollers Elan: EM78Pxxx
- Microcontrollers EM Microelectronic: 4 and 8 bit series
- Microcontrollers Microchip PICmicro: PIC10xxx, PIC12xxx, PIC16xxx, PIC17xxx, PIC18xxx, dsPIC series
- Microcontrollers Philips: LPC series

### Notes:

- (\*1) - suitable adapters are available for non-DIL packages
- (\*2) - There exist only few adapters for devices with more than 40 pins. Therefore think please about more powerful programmer (865, 866, 864), if you need to program devices with more than 40 pins
- For all supported devices see actual **Device list** on [www.bkprecision.com](http://www.bkprecision.com).

## I.C. Tester

- Static RAM: 6116 .. 624000

## Programming speed

Device	Operation	Mode	Time
27C010	programming and verify	in ZIF	29 sec
AT29C040A	programming and verify	in ZIF	41 sec
AM29F040	programming and verify	in ZIF	95 sec
PIC16C67	programming and verify	in ZIF	10 sec
PIC18F452	programming and verify	in ZIF	7 sec
AT89C52	programming and verify	in ZIF	17 sec
PIC16F876A	programming and verify	ISP	5 sec
PIC12C508	programming and verify	ISP	3 sec

Conditions: P4, 2,4GHz, USB 2.0, Windows XP

## SOFTWARE

- **Algorithms:** only manufacturer approved or certified algorithms are used. Custom algorithms are available at additional cost.
- **Algorithm updates:** software updates are available approx. every 2 weeks, free of charge.
- **Main features:** revision history, session logging, on-line help, device and algorithm information

## Device operations

- **standard:**
  - intelligent device selection by device type, manufacturer or typed fragment of part name
  - blank check, read, verify

- 
- program
  - erase
  - configuration and security bit program
  - illegal bit test
  - checksum
  - **security**
    - insertion test
    - contact check
    - ID byte check
  - **special**
    - auto device serial number increment
    - statistic
    - count-down mode

### ***Buffer operations***

- view/edit, find/replace
- fill, copy, move, byte swap, word/dword split
- checksum (byte, word)
- print

### ***File load/save***

- no download time because programmer is PC controlled
- automatic file type identification

### ***Supported file formats***

- unformatted (raw) binary
- HEX: Intel, Intel EXT, Motorola S-record, MOS, Exormax, Tektronix, ASCII-SPACE-HEX
- JEDEC (ver. 3.0.A), for example from ABEL, CUPL, PALASM, TANGO PLD, OrCAD PLD, PLD Designer ISDATA etc.

### ***PC system requirements***

See section *Introduction/ PC requirements*

### ***GENERAL***

- operating voltage 15..20V DC, max. 500mA
- power consumption max. 6W active, 1.4W inactive
- dimensions 160x97x35 mm (6.3x3.8x1.4 inch)
- weight (without external power adapter) ca. 500g (17.65 oz)
- temperature 5°C ÷ 40°C (41°F ÷ 104°F)
- humidity 20%..80%, non condensing

### ***Package included***

- 844USB programmer
- connection cable PC-programmer



- 
- ISP cable
  - diagnostic POD for selftest
  - anti-dust cover for ZIF socket
  - wall plug adapter 15V DC/500mA, unstabilized
  - user manual
  - software
  - registration card
  - transport case

### ***Additional services***

- Keep Current
- AlgOR
- free technical support (hot line)
- free life-time software update via Internet

---

# 844A

---





---

## Introduction

**844A** is next member of new generation of Windows 95/98/Me/NT/2000/XP based B+K PRECISION universal programmers. Programmer is built to meet the demands of the development labs and field engineers to universal, but portable programmer.

**844A** is a small, fast and powerful programmer of all kinds of programmable devices. Using build-in in-circuit serial programming (ISP) connector the programmer is able to program ISP capable chips in-circuit.

It provides a very competitive price and excellent hardware design for reliable programming. Great "value for money".

**844A** provides very fast programming due to high-speed FPGA driven hardware and support of IEEE1284 (ECP/EPP) high-speed parallel port. It is surely faster than competitors in this category.

**844A** interfaces with the IBM PC Pentium compatible or higher, portable or desktop personal computers through any standard parallel (printer) port (no special interface card needed). Therefore you can take programmer and move it to another PC without assembly/disassembly of PC.

**844A** has 40 powerful TTL pindrivers provide H/L/pull\_up/pull\_down and read capability for each pin of socket. Advanced pindrivers incorporate high-quality high-speed circuitry to deliver signals without overshoot or ground bounce for all supported devices. Pin drivers operate down to 1.8V so you'll be ready to program the full range of today's advanced low-voltage devices.

The programmer performs **device insertion test** (wrong device position in socket) and contact check (poor contact pin-to-socket) before it programs each device. These capabilities, supported by signature-byte check help prevent chip damage due to operator error.

Programmer's hardware offers enough resources for **self test**, that control program is any time be able to check pindrivers, present and correct level of all voltages, check the timing and communication between programmer and PC.

**844A** programmer performs programming **verification** at the marginal level of supply voltage, which, obviously, improves programming yield, and guarantees long data retention.



---

**844A** is driven by an **easy-to-use** control program with pull-down menu, hot keys and on-line help. Selecting of device is performed by its class, by manufacturer or simply by typing a fragment of vendor name and/or part number.

**Standard** device-related commands (read, blank check, program, verify, erase) are boosted by some **test functions** (insertion test, signature-byte check), and some **special functions** (autoincrement).

All known data formats are supported. Automatic file format detection and conversion during load of file.

The rich-featured **autoincrement function** enables to assign individual serial numbers to each programmed device - or simply increments a serial number, or the function enables to read serial numbers or any programmed device identification signatures from a file.

The software also provides a many informations about programmed device. As a special, the drawing of all available packages are provided. The software provide also explanation of chip labeling (the meaning of prefixes and suffixes at the chips) for each supported chip.

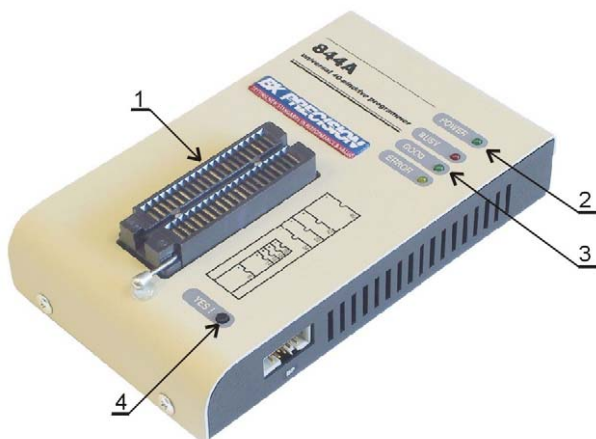
Various socket converters are available to handle device in PLCC, SOIC, SSOP, TSOP, TSSOP, TQFP, QFN (MLF) and other packages.

Advanced design, including protection circuits, original brand components and careful manufacturing allows us to provide a **one-year warranty** on parts and labor for the 844A (limited 25,000-cycle warranty on ZIF socket).

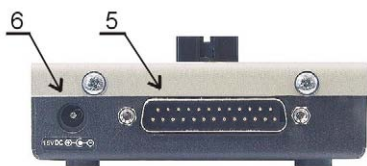


## 844A elements

- ① 40 pin ZIF socket
- ② LED power/sleep
- ③ LED, which indicate work result
- ④ YES! button



- ⑤ Connector for PC ↔ 844A communication cable
- ⑥ Power supply connector



- ⑦ Connector for ISP



Power supply connector



---

**Note:** *Due to low power consumption of 844A in inactive state, it doesn't require power switch. When the power LED indicator glows with a low intensity the 844A is in inactive mode.*

## **Connecting 844A to PC**

Switch off the PC and programmer. Insert the connection cable, included in the 844A programmer delivery, to the free printer port of PC. If your computer is equipped with only one printer port, substitute the programmer cable for the printer cable. Connect the opposite cable end to the programmer. Screw on both connectors to counter connectors. This is very important mainly for the connector to programmer. Though replacing the printer cable by the programmer cable is uncomfortable, it is not recommended to operate the 844A programmer through a mechanical printer switch. Use of an electronic printer switch isn't possible.

Connect the mains connector of the power supply (or wall-plug power supply self) to a mains plug, connect the connector to the programmer's connector labeled 15VDC. At this time all 'work result' LEDs (and 'POWER' LED) light up successive and then switch off. Once the POWER LED lights with low brightness then the 844A is ready to run.

Next switch on the PC and run the control program.

**Caution!** *If you don't want to switch off your PC when connecting the 844A, proceed as follows:*

- **When connecting** the programmer to the PC: **FIRST** insert the **communications cable** and **THEN** the **power-supply connector**.
- **When disconnecting** the programmer from the PC: **FIRST** disconnect the **power-supply connector** and **THEN** the **communication cable**.

## **Problems related to the 844A ⇔ PC interconnection, and their removing**

If you have any problems with 844A ⇔ PC interconnection, see section **Common notes** please.

## **Manipulation with the programmed device**

After selection of desired device for your work, you can insert into the open ZIF socket (the lever is up) and close socket (the lever is down). The correct orientation of the programmed device in ZIF socket is shown on the picture near ZIF socket



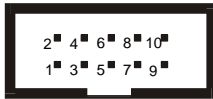
on the programmer's cover. The programmed device is necessary to insert into the socket also to remove from the socket when LED BUSY light off.

**Warning:** 844A programmer hasn't protection devices, which protect the content of programmed device against critical situations, for example power failures and PC failure (interrupted cable...). Moreover, a device is usually destroyed in the programming mode due to forced interruption of the control program run (Reset or switching the computer off) due to removing the connecting cable, or unplugging the programmed device from the ZIF socket. Incorrectly placed device in the ZIF socket can cause its damage or destruction.

## In-system serial programming by 844A

For general definition, recommendation and direction about ISP see section **Common notes / ISP** please.

### Description of 844A ISP connector

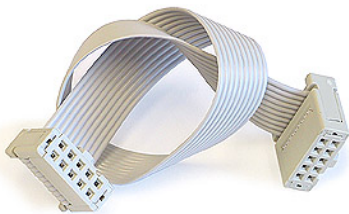


Front view at ISP connector of programmer.

Specification of ISP connector pins depends on the device, which you want to program. You can find it in the control SW for programmer (PG4UW), menu **Device / Device Info (Ctrl+F1)**. Be aware, the ISP programming way of respective device must be selected. It is indicated by (ISP) suffix after name of selected device.

These specifications correspond with application notes published of device manufacturers. Used application notes you may find on [www.bkprecision.com](http://www.bkprecision.com).

**Note:** Pin no. 1 is signed by triangle scratch on ISP cable connectors.

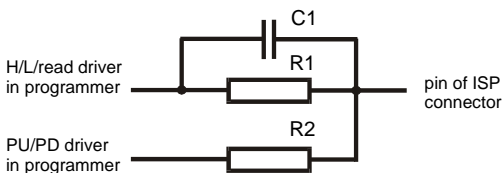


844A ISP cable

**Warnings:**

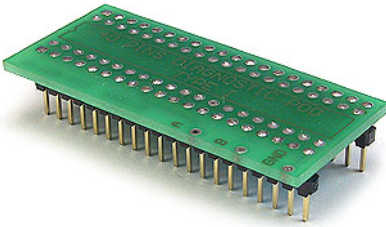
- **When you use 844A as ISP programmer, don't insert device to ZIF socket.**
- **When you program devices in ZIF socket, don't insert ISP cable to ISP connector.**
- Use only **attached ISP cable**. When you use other ISP cable (other material, length...), programming may occur unreliable.
- **844A can supply target device only, but target system cannot supply 844A.**
- **844A apply programming voltage to target device and checks his value (target system can modify programming voltage). If the programming voltage is different as expected, no action with target device will be executed.**

**Note:** H/L/read 844A driver



## Self test and calibration

If you feel that your programmer does not react according to your expectation, please run the programmer selftest using Diagnostic POD, enclosed with the standard delivery package. For optimal results with programmer we recommend you undertake every 6 months, an extended test and to check the calibration. See instructions for selftest in the **Diagnostics** menu of PG4UW.



## ***Technical specification***

### ***HARDWARE***

#### ***Programmer***

- two D/A converters for VCCP and VPP, controllable rise and fall time
- VCCP range 0..7V/350mA
- VPP range 0..25V/200mA
- FPGA based IEEE 1284 slave printer port, up to 1MB/s transfer rate
- autocalibration
- self test capability

#### ***ZIF socket, pindriver***

- 40-pin DIL ZIF (Zero Insertion Force) socket accepts both 300/600 mil devices up to 40-pins
- pindriver: 40 TTL pindrivers, universal GND/VCC/VPP pindriver
- FPGA based TTL driver provides H, L, CLK, pull-up, pull-down on all pindriver pins, level H selectable from 1.8 V up to 5V
- in-circuit serial programming (ISP) capability included
- continuity test: each pin is tested before every programming operation

#### ***ISP connector***

- 10-pin male type with missinsertion lock
- 6 TTL pindrivers, provides H, L, CLK, pull-up, pull-down; level H selectable from 1.8V up to 5V to handle all (low-voltage including) devices.
- 1x VCCP voltage (range 2V..7V/100mA) and 1x VPP voltage (range 2V..25V/50mA)
- programmed chip voltage (VCCP) with both source/sink capability and voltage sense

---

## DEVICE SUPPORT

### **Programmer, in ZIF socket**

- EPROM: NMOS/CMOS, 27xxx and 27Cxxx series, with 8/16 bit data width, full support of LV series (\*1\*2)
- EEPROM: NMOS/CMOS, 28xxx, 28Cxxx, 27EExxx series, with 8/16 bit data width, full support of LV series (\*1\*2)
- Flash EPROM: 28Fxxx, 29Cxxx, 29Fxxx, 29BVxxx, 29LVxxx, 29Wxxx, 49Fxxx series, with 8/16 bit data width, full support of LV series (\*1\*2)
- Serial E(E)PROM: 24Cxxx, 24Fxxx, 25Cxxx, 45Dxxx, 59Cxxx, 25Fxxx, 25Pxxx, 85xxx, 93Cxxx, full support for LV series (\*1)
- Configuration (EE)PROM: XCFxxx, 37LVxx, XC17xxxx, EPCxxx, AT17xxx, LV series including
- NV RAM: Dallas DSxxx, SGS/Inmos MKxxx, SIMTEK STKxxx, XICOR 2xxx, ZMD U63x series
- PLD: series: Atmel, AMD-Vantis, Cypress, ICT, Lattice, NS, ... (\*1)
- microcontrollers 51 series: 87Cxxx, 87LVxx, 89Cxxx, 89Sxxx, 89LVxxx, LPC series from Atmel, Atmel W&M, Intel, Philips, SST, Winbond (\*1\*2)
- microcontrollers Atmel AVR: ATtiny, AT90Sxxx, ATmega series (\*1\*2)
- Microcontrollers Cypress: CY8Cxxxxx
- Microcontrollers ELAN: EM78Pxxx
- Microcontrollers EM Microelectronic: 4 and 8 bit series
- microcontrollers Microchip PICmicro: PIC10xxx, PIC12xxx, PIC16xxx, PIC17Cxxx, PIC18xxx, dsPIC series, 8-40 pins (\*1\*2)
- microcontrollers Scenix (Ubicom): SXxxx series

### **Programmer, through ISP connector**

- Serial E(E)PROM: IIC series
- Microcontrollers Atmel: AT89Sxxx, AT90Sxxxx, ATtiny, ATmega series
- Microcontrollers Cypress: CY8C2xxxx
- Microcontrollers Elan: EM78Pxxx
- Microcontrollers EM Microelectronic: 4 and 8 bit series
- Microcontrollers Microchip PICmicro: PIC10xxx, PIC12xxx, PIC16xxx, PIC17xxx, PIC18xxx, dsPIC series
- Microcontrollers Philips: LPC series

#### **Notes:**

- (\*1) - suitable adapters are available for non-DIL packages
- (\*2) - There exist only few adapters for devices with more than 40 pins. Therefore think please about more powerful programmer (864, 865), if you need to program devices with more than 40 pins
- For all supported devices see actual **Device list**

### **I.C. Tester**



- Static RAM: 6116 .. 624000

## **Programming speed**

Device	Operation	Mode	Time
27C010	programming and verify	in ZIF	23 sec
AT29C040A	programming and verify	in ZIF	32 sec
AM29F040	programming and verify	in ZIF	56 sec
PIC16C67	programming and verify	in ZIF	12 sec
PIC18F452	programming and verify	in ZIF	4 sec
AT89C52	programming and verify	in ZIF	15 sec
PIC16F876A	programming and verify	ISP	5 sec
PIC12C508	programming and verify	ISP	3 sec

**Conditions:** *P4, 2,4GHz,ECP, Windows XP*

## **SOFTWARE**

- **Algorithms:** only manufacturer approved or certified algorithms are used. Custom algorithms are available at additional cost.
- **Algorithm updates:** software updates are available approx. every 2 weeks, free of charge.
- **Main features:** revision history, session logging, on-line help, device and algorithm information

## **Device operations**

- **standard:**
  - intelligent device selection by device type, manufacturer or typed fragment of part name
  - blank check, read, verify
  - program
  - erase
  - configuration and security bit program
  - illegal bit test
  - checksum
- **security**
  - insertion test
  - contact check
  - ID byte check
- **special**
  - auto device serial number increment
  - statistic
  - count-down mode

## **Buffer operations**

- view/edit, find/replace
- fill, copy, move, byte swap, word/dword split
- checksum (byte, word)
- print



---

## ***File load/save***

- no download time because programmer is PC controlled
- automatic file type identification

## ***Supported file formats***

- unformatted (raw) binary
- HEX: Intel, Intel EXT, Motorola S-record, MOS, Exormax, Tektronix, ASCII-SPACE-HEX
- JEDEC (ver. 3.0.A), for example from ABEL, CUPL, PALASM, TANGO PLD, OrCAD PLD, PLD Designer ISDATA etc.

## ***PC system requirements***

See section *Introduction/ PC requirements*

## ***GENERAL***

- operating voltage 15..20V DC, max. 500mA
- power consumption max. 6W active, 1.4W inactive
- dimensions 160x95x35 mm (6.3x3.7x1.4 inch)
- weight (without external power adapter) ca. 500g (17.6 oz)
- temperature 5°C ÷ 40°C (41°F ÷ 104°F)
- humidity 20%..80%, non condensing

## ***Package included***

- 844A programmer
- connection cable PC-programmer
- ISP cable
- diagnostic POD for self test
- anti-dust cover for ZIF socket
- wall plug adapter 15V DC/500mA, unstabilized
- user manual
- software
- registration card
- transport case

## ***Additional services***

- AlgOR
- free technical support (hot line)
- free life-time software update via Internet



---

848

---



---

## Introduction

**848** is a small and powerful EPROM, EEPROM, Flash EPROM and serial EEPROM **programmer** and static RAM **tester**, designed for professional mobile applications. In addition, 848 programmer with auxiliary modules support also microprocessors (MCS48, MCS51, PICmicro, AVR), GALs, etc. Generators for supply voltage and programming voltage are digitally controlled and level of H can be limited, therefore programmer can work with 'true LV' device too - from 2V. Performance, dimensions and speed of 848 can be used both in maintenance and in production.

**848** interfaces with the IBM PC Pentium compatible or higher, portable or desktop personal computers. Programmers allow you to directly connect to your PC through any standard parallel (printer) port - no special interface card is needed.

Built-in protection circuits eliminate damage of programmed device due to mains supply error, communication error or if PC is frozen. Programmer's hardware afford enough resources for self test, that control program is any time be able to check pindrivers, present of all voltages, check the timing and communication between programmer and PC.

**848** programmer performs programming **verification** at the marginal level of supply voltage, which, obviously, improves programming yield, and guarantees long data retention.

**848** programmer is driven by an **easy-to-use** control program with pull-down menu, hot keys and on-line help. Selecting of device is performed by its class, by manufacturer or simply by typing a fragment of vendor name and/or part number.

**Standard** device-related commands (read, blank check, program, verify, erase) are boosted by some **test functions** (signature-byte check), and some **special functions** (autoincrement).

All known data formats are supported. Automatic file format detection and conversion during load of file.

The rich-featured **autoincrement function** enables to assign individual serial numbers to each programmed device - or simply increments a serial number, or the function enables to read serial numbers or any programmed device identification signatures from a file.

The software also provides a many informations about programmed device. As a special, the drawing of all available



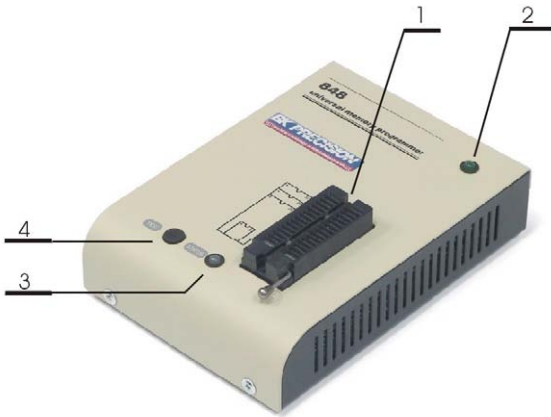
packages are provided. The software provide also explanation of chip labeling (the meaning of prefixes and suffixes at the chips) for each supported chip.

Various socket converters are available to handle device in PLCC, SOIC, SSOP, TSOP, TSSOP and other packages.

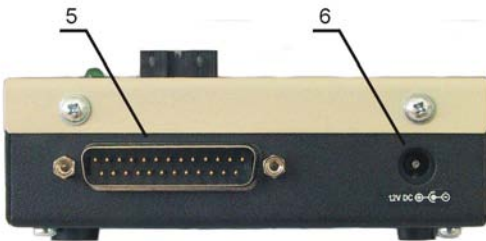
Taking into consideration the 848 programmer design, protective circuits, and the components used, the manufacturer is able to provide a one-year warranty on parts and labor for the programmer (limited 25,000-cycle warranty on the ZIF socket).

## 848 elements

- ① 32 pin ZIF socket
- ② LED power/sleep
- ③ LED, which indicate work result
- ④ YES! button



- ⑤ communication connector, for PC ⇔ 848 cable connection
- ⑥ connector for power supply connection



---

Power supply connector



**Note:** *Due to low power consumption of 848 in inactive state, it doesn't require power switch.*

## **Connecting 848 programmer to PC**

Switch off the PC and programmer. Insert the connection cable, included in the 848 programmer delivery, to the free printer port of PC. If your computer is equipped with only one printer port, substitute the programmer cable for the printer cable. Connect the opposite cable end to the programmer. Screw on both connectors to counter connectors. This is very important mainly for the connector to programmer. Though replacing the printer cable by the programmer cable is uncomfortable, it is not recommended to operate the 848 programmer through a mechanical printer switch. Use of an electronic printer switch isn't possible.

Connect the mains connector of the power supply (or wall-plug power supply self) to a mains plug, connect the connector to the programmer's connector labeled 12VDC. Then, on the programmer lights up LED POWER and the programmer 848 is ready to run. Next switch on the PC and run the control program.

**Caution!** *If you don't want to switch off your PC when connecting the 848, proceed as follows:*

- **When connecting** the programmer to the PC: **FIRST** insert the **communications cable** and **THEN** the **power-supply connector**.
- **When disconnecting** the programmer from the PC: **FIRST** disconnect the **power-supply connector** and **THEN** the **communication cable**.

### **Problems related to the 848 ⇔ PC interconnection, and their removing**

If you have any problems with 848 ⇔ PC interconnection, see section **Common notes** please.

## **Manipulation with the programmed device**

After selection of desired device for your work, you can insert into the open ZIF socket (the lever is up) and close socket (the

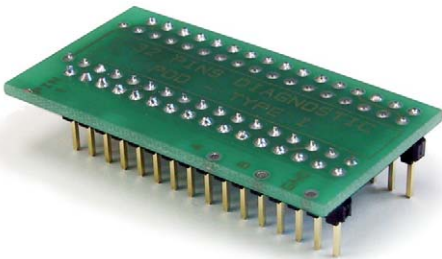


lever is down). The correct orientation of the programmed device in ZIF socket is shown on the picture near ZIF socket on the programmer's cover. The programmed device is necessary to insert into the socket also to remove from the socket when LED BUSY light off.

**Warning:** 848 programmer hasn't protection devices, which protect the content of programmed device against critical situations, for example power failures and PC failure (interrupted cable...). Moreover, a device is usually destroyed in the programming mode due to forced interruption of the control program run (Reset or switching the computer off) due to removing the connecting cable, or unplugging the programmed device from the ZIF socket. Incorrectly placed device in the ZIF socket can cause its damage or destruction.

## Self test and calibration

If you feel that your programmer does not react according to your expectation, please run the programmer selftest using Diagnostic POD, enclosed with the standard delivery package. For optimal results with programmer we recommend you undertake every 6 months, an extended test and to check the calibration. See instructions for selftest in the **Diagnostics** menu of PG4UW.



## Technical specification

### HARDWARE

#### Socket, pin drivers and DACs

- 32-pin DIL ZIF (Zero Insertion Force) socket accepts both 300/600 mil devices up to 32-pin

- two D/A converters for VCCP and VPP, with controllable rise/fall time and current limitation
- TTL driver provides H, L and read all 32 pins
- full support of Low Voltage circuits from 2.0 V

## DEVICE SUPPORT

### Programmer

- EPROM: NMOS/CMOS, 2708\*, 27xxx and 27Cxxx with 8/16\* bit data width
- EEPROM: NMOS/CMOS, 28xxx, 28Cxxx, 27EExxx with 8/16\* bit data width
- Flash EPROM: 28Fxxx, 29Cxxx, 29Fxxx, 29BVxxx, 29LVxxx, 29Wxxx, 49Fxxx series, from 256Kbit to 32Mbit, with 8/16\* bit data width
- Serial E(E)PROM: AT17Cxxx, 24Cxxx, 24Fxxx, 25Cxxx, 59Cxxx, 85xxx, 93Cxxx, MDAXxx\* series
- NV RAM: Dallas DSxxx, SGS/Inmos MKxxx series
- PLD\*: AMD PALCE, GALs, PEELs series
- microcontrollers 48 series\*: 87x41, 87x42, 87x48, 87x49, 87x50 series
- microcontrollers 51 series\*: 87xx, 87Cxxx, 87LVxx, 89Cxxx, 89Sxxx, 89LVxxx, Philips 87C748..752 series
- microcontrollers Microchip PICmicro\*: PIC12Cxxx, PIC16C5x, PIC16Cxxx, PIC18Cxxx series
- microcontrollers Atmel AVR\*: AT90Sxxxx, ATtiny series
- microcontrollers NEC\*: uPD78Pxxx series

#### Note:

- \* - programming with additional module
- For all supported devices see actual **Device list**

### I.C. Tester

- static RAM: 6116 .. 624000

## Programming speed

Device	Operation	Time
NMC27C256	programming and verify	24 sec
AM27C010	programming and verify	37 sec

Conditions: P4, 2,4GHz,ECP, Windows XP

## SOFTWARE

- **Algorithms:** only manufacturer approved or certified algorithms are used.
- **Algorithm updates:** software updates are available approx. every 2 weeks, free of charge.
- **Main features:** revision history, session logging, on-line help, device and algorithm information



---

## ***Device operations***

- **standard:**
  - automatic ID-based selection of EPROM/Flash EPROM
  - blank check
  - read
  - program
  - verify
  - erase
  - configuration and security bit program
  - illegal bit test
- **security:**
  - contact check
  - ID byte check
- **special**
  - auto device serial number increment

## ***Buffer operations***

- view/edit, find/replace
- fill/copy, move, byte swap, word/dword split
- checksum (byte, word)
- print

## ***Supported file formats***

- unformatted (raw) binary
- HEX: Intel, Intel EXT, Motorola S, MOS, Exormax, Tektronix, ASCII-space-HEX
- JEDEC

## ***PC system requirements***

See section *Introduction/ PC requirements*

## ***GENERAL***

- operating voltage 12..15V DC, max. 500mA
- power consumption 6W max.
- dimensions 160x110x50 mm (6.3x4.3x2 inch)
- weight (without external adapter) ca. 650g (23 oz)
- temperature 5°C ÷ 40°C (41°F ÷ 104°F)
- humidity 20%..80%, non condensing

## ***Package included***

- 848 programmer
- connection cable PC-programmer
- wall plug adapter, 12V DC/500mA, unstabilized
- diagnostic POD, that enable programmer's self test



- 
- anti-dust cover to ZIF socket
  - software
  - user manual
  - registration card
  - transport packing

### ***Additional services***

- AlgOR
- free technical support (phone/fax/e-mail).
- free lifetime software update via Web site.



---

# 848A

---



---

## Introduction

**848A** is next member of Windows 95/98/ME/NT/2000/XP based B+K PRECISION specialized programmers. Programmer is built to meet the demands of the development labs and field engineers for a specialized low-cost memory programmer.

**848A** supports memory types up to 32 pins - EPROM, EEPROM, NVRAM, Flash EPROM and serial EEPROM - including low voltage types. 848A isn't only programmer, but also static RAM tester.

**848A** provides very competitive price with excellent hardware design for reliable programming. Offer outstanding "value for money" in this class. Performance, dimensions and speed of 848A can be utilized mainly in the maintenance.

**848A** interfaces with the IBM PC Pentium compatible or higher, portable or desktop personal computers through any parallel (printer) port.

**848A** has the powerful TTL pindriver, which deliver signals without overshoot or ground bounce for all supported devices. Pin drivers provide TTL levels in the range suitable also for the low-voltage devices. Generators for supply voltage and programming voltage are digitally controlled in wide range of voltages.

**848A** performs programming **verification** at the marginal level of supply voltage, which, obviously, improves programming yield, and guarantees long data retention.

**848A** is driven by an easy-to-use control program with pull-down menus, hot keys and on-line help. Selecting of device is performed by its class, by manufacturer or simply by typing a fragment of vendor name and/or part number.

**Standard** device-related commands (read, blank check, program, verify, erase) are enhanced by some **test functions** (signature-byte check), and some **special functions** (autoincrement).

All known data formats are supported. Automatic file format detection and conversion during load of file.

The rich-featured **autoincrement function** enables to assign individual serial numbers to each programmed device - or simply increments a serial number, or the function enables to



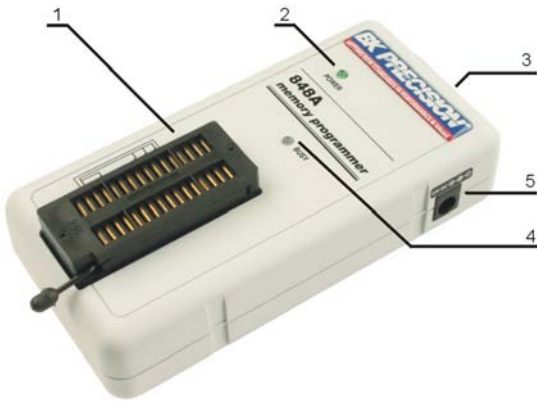
read serial numbers or any programmed device identification signatures from a file.

The software also provide a many informations about programmed device. As a special, the drawing of all available packages are provided. The software provides also explanation of chip labeling (the meaning of prefixes and suffixes at the chips) for each supported chip.

Various socket converters are available to handle device in PLCC, SOIC, SSOP, TSOP, TSSOP and other packages.

## 848A elements

- ① 32 pin ZIF socket
- ② LED power/sleep
- ③ LPT connector for PC ↔ 848A communication cable
- ④ LED, which indicate work result
- ⑤ Power supply connector



Power supply connector



## Connecting 848A programmer to PC

Switch off the PC and programmer. Insert the connection cable, included in the 848A programmer delivery, to the free printer port of PC. If your computer is equipped with only one

---

printer port, substitute the programmer cable for the printer cable. Connect the opposite cable end to the programmer. Screw on both connectors to counter connectors. This is very important mainly for the connector to programmer. Though replacing the printer cable by the programmer cable is uncomfortable, it is not recommended to operate the 848A programmer through a mechanical printer switch. Use of an electronic printer switch isn't possible.

Connect the mains connector of the power supply (or wall-plug power supply self) to a mains plug, connect the connector to the appropriate programmer's connector. Then, on the programmer lights up LED POWER and the programmer 848A is ready to run. Next switch on the PC and run the control program.

**Caution!** *If you don't want to switch off your PC when connecting the 848A, proceed as follows:*

- **When connecting** the programmer to the PC: **FIRST** insert the **communications cable** and **THEN** the **power-supply connector**.
- **When disconnecting** the programmer from the PC: **FIRST** disconnect the **power-supply connector** and **THEN** the **communication cable**.

## **Problems related to the 848A ⇔ PC interconnection, and their removing**

If you have any problems with 848A ⇔ PC interconnection, see section **Common notes** please.

## **Manipulation with the programmed device**

After selection of desired device for your work, you can insert into the open ZIF socket (the lever is up) and close socket (the lever is down). The correct orientation of the programmed device in ZIF socket is shown on the picture near ZIF socket on the programmer's cover. The programmed device is necessary to insert into the socket also to remove from the socket when LED BUSY light off.

**Warning:** *848A programmer hasn't protection devices, which protect the content of programmed device against critical situations, for example power failures and PC failure (interrupted cable...). Moreover, a device is usually destroyed in the programming mode due to forced interruption of the control program run (Reset or switching the computer off) due to removing the connecting cable, or unplugging the*



---

*programmed device from the ZIF socket. Incorrectly placed device in the ZIF socket can cause its damage or destruction.*

## **Technical specification**

### **HARDWARE**

#### **Programmer**

- two D/A converters for VCCP and VPP, controllable rise and fall time
- VCCP range 0..7V/350mA
- VPP range 0..25V/200mA

#### **ZIF socket, pindriver**

- 32-pin DIL ZIF (Zero Insertion Force) socket accepts both 300/600 mil devices up to 32-pins
- pindriver: TTL pindrivers and GND/VCC/VPP pindrivers, specialized for memory programming
- TTL driver provides level H also for support of low voltage devices

### **DEVICE SUPPORT**

#### **Programmer**

- EPROM: NMOS/CMOS, 27xxx and 27Cxxx series, with 8 bit data width, full support of LV series (\*1\*2)
- EEPROM: NMOS/CMOS, 28xxx, 28Cxxx, 27EExxx series, with 8 bit data width, full support of LV series (\*1\*2)
- Flash EPROM: 28Fxxx, 29Cxxx, 29Fxxx, 29BVxxx, 29LVxxx, 29Wxxx, 49Fxxx series, with 8 bit data width, full support of LV series (\*1\*2)
- Serial E(E)PROM: 24Cxxx, 24Fxxx, 25Cxxx, 59Cxxx, 85xxx, 93Cxxx, full support of LV series(\*1)
- NV RAM: Dallas DSxxx, SGS/Inmos MKxxx, SIMTEK STKxxx, XICOR 2xxx, ZMD U63x series

#### **Notes:**

- (\*1) - suitable adapters are available for non-DIL packages
- (\*2) - There exist none adapters for devices with more than 32 pin. Therefore think please about more powerful programmer (865, 866, 864, 844USB, 844A), if you need to program devices with more than 32 pins
- For all supported devices see actual **Device list** on [www.bkprecision.com](http://www.bkprecision.com).

#### **I.C. Tester**

- Static RAM: 6116 .. 624000

---

## **Programming speed**

Device	Operation	Time
27C010	programming and verify	42 sec
AT29C040A	programming and verify	45 sec
AM29F040	programming and verify	102 sec
M25P020	programming and verify	130 sec

**Conditions:** *P4, 2,4GHz,ECP, Windows XP*

## **SOFTWARE**

- **Algorithms:** only manufacturer approved or certified algorithms are used.
- **Algorithm updates:** software updates are available approx. every 2 weeks, free of charge.
- **Main features:** revision history, session logging, on-line help, device and algorithm information

## **Device operations**

- **standard:**
  - intelligent device selection by device type, manufacturer or typed fragment of part name
  - blank check, read, verify
  - program
  - erase
  - configuration and protection program
  - illegal bit test
  - checksum
- **security**
  - ID byte check
- **special**
  - auto device serial number increment
  - statistic
  - count-down mode

## **Buffer operations**

- view/edit, find/replace
- fill, copy, move, byte swap, word/dword split
- checksum (byte, word)
- print

## **File load/save**

- no download time because programmer is PC controlled
- automatic file type identification



---

## **Supported file formats**

- unformatted (raw) binary
- HEX: Intel, Intel EXT, Motorola S-record, MOS, Exormax, Tektronix, ASCII-SPACE-HEX

## **PC system requirements**

See section *Introduction/ PC requirements*

## **GENERAL**

- operating voltage 12..15V DC, max. 500mA
- power consumption max. 6W active
- dimensions 137x65x40 mm (5.4x2.6x1.6 inch)
- weight (without external power adapter) ca. 200g (7.06 oz)
- temperature 5°C ÷ 40°C (41°F ÷ 104°F)
- humidity 20%..80%, non condensing

## **Package included**

- 848A programmer
- connection cable PC-programmer
- wall plug adapter 12V DC/500mA, unstabilized
- user manual
- software
- registration card
- transport case

## **Additional services**

- Keep Current
- AlgOR
- free technical support (hot line)
- free life-time software update via Internet



---

849

---





---

## Introduction

**849** is a new generation of Windows 95/98/ME/NT/2000/XP based B+K PRECISION specialized programmers. Programmer is capable to support all today available Microcontrollers of MCS51 series (up to 40 pins) and AVR Microcontrollers (8-40 pins) by parallel and serial way. 849 has been developed in close cooperation with Atmel W&M., therefore programmer's hardware is focused to support all current and future Microcontrollers of Atmel W&M MCS51 family.

**849** is little, very fast and powerful portable programmer for MCS51 series and Atmel AVR microcontrollers. 849 enables also programming of serial EEPROM with IIC (24Cxx), Microwire (93Cxx) and SPI (25Cxx) interface types. Using build-in in-circuit serial programming (ISP) connector programmer is capable to program MCS51 family microcontrollers and Atmel AVR microcontrollers in serial way.

**849** provides very competitive price but excellent hardware design for reliable programming. Nice "value for money" in this class.

**849** provides very fast programming due to high-speed FPGA driven hardware and support of IEEE1284 (ECP/EPP) high-speed parallel port. It is surely faster than competitors in this category.

**849** interfaces with the IBM PC Pentium compatible or higher, portable or desktop personal computers. A programmer allows you to directly connect to your PC through any standard parallel (printer) port - no special interface card is needed.

**849** has 40 powerful TTL pindrivers provide H/L/pull\_up/pull\_down and read capability for each pin of socket. Advanced pindrivers incorporate high-quality high-speed circuitry to deliver programming without overshoot or ground bounce for all supported devices. Pin drivers operate down to 1.8V so you'll be ready to program the full range of today's advanced low-voltage devices.

The programmer performs **device insertion test** (wrong or backward position) and contact check (poor contact pin-to-socket) before it programs each device. These capabilities, supported by signature-byte check help prevent chip damage due to operator error.

Programmer's hardware offers enough resources for **selftest**, that control program is any time be able to check pindrivers,

---

present and correct level of all voltages, check the timing and communication between programmer and PC.

**849** performs programming **verification** at the marginal level of supply voltage, which, obviously, improves programming yield, and guarantees long data retention

**849** programmer is driven by an **easy-to-use** control program with pull-down menu, hot keys and on-line help. Selecting of device is performed by its class, by manufacturer or simply by typing a fragment of vendor name and/or part number.

**Standard** device-related commands (read, blank check, program, verify, erase) are boosted by some **test functions** (insertion test, signature-byte check), and some **special functions** (autoincrement).

All known data formats are supported. Automatic file format detection and conversion during load of file.

The rich-featured **autoincrement function** enables to assign individual serial numbers to each programmed device - or simply increments a serial number, or the function enables to read serial numbers or any programmed device identification signatures from a file.

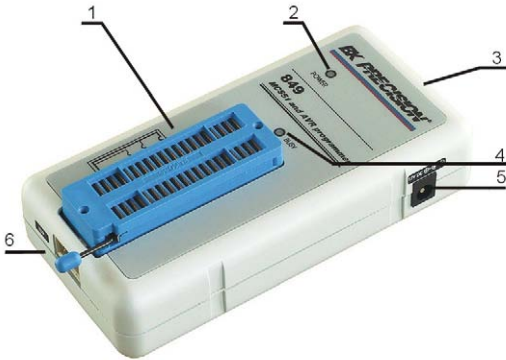
The software also provide a many informations about programmed device. As a special, the drawing of all available packages are provided. The software provides also explanation of chip labeling (the meaning of prefixes and suffixes at the chips) for each supported chip.

Various socket converters are available to handle device in PLCC, SOIC, SSOP, TSSOP, TQFP, QFN (MLF) and other packages.



## 849 elements

- ① 40 pin ZIF socket
- ② LED power/sleep
- ③ LPT connector for PC ↔ 849 communication cable
- ④ LED, which indicate work result
- ⑤ Power supply connector
- ⑥ ISP connector



Power supply connector



## Connecting 849 programmer to PC

Switch off the PC and programmer. Insert the connection cable, included in the 849 programmer delivery, to the free printer port of PC. If your computer is equipped with only one printer port, substitute the programmer cable for the printer cable. Connect the opposite cable end to the programmer. Screw on both connectors to counter connectors. This is very important mainly for the connector to programmer. Though replacing the printer cable by the programmer cable is uncomfortable, it is not recommended to operate the 849 programmer through a mechanical printer switch. Use of an electronic printer switch isn't possible.

Connect the mains connector of the power supply (or wall-plug power supply self) to a mains plug, connect the connector to the appropriate programmer's connector. Then, on the programmer lights up LED POWER and the programmer 849 is ready to run. Next switch on the PC and run the control program.

---

**Caution!** *If you don't want to switch off your PC when connecting the 849, proceed as follows:*

- **When connecting** the programmer to the PC: **FIRST** insert the **communications cable** and **THEN** the **power-supply connector**.
- **When disconnecting** the programmer from the PC: **FIRST** disconnect the **power-supply connector** and **THEN** the **communication cable**.

## **Problems related to the 849 ⇔ PC interconnection, and their removing**

If you have any problems with 849 ⇔ PC interconnection, see section **Common notes** please.

## **Manipulation with the programmed device**

After selection of desired device for your work, you can insert into the open ZIF socket (the lever is up) and close socket (the lever is down). The correct orientation of the programmed device in ZIF socket is shown on the picture near ZIF socket on the programmer's cover. The programmed device is necessary to insert into the socket also to remove from the socket when LED BUSY light off.

**Warning:** *849 programmer hasn't protection devices, which protect the content of programmed device against critical situations, for example power failures and PC failure (interrupted cable...). Moreover, a device is usually destroyed in the programming mode due to forced interruption of the control program run (Reset or switching the computer off) due to removing the connecting cable, or unplugging the programmed device from the ZIF socket. Incorrectly placed device in the ZIF socket can cause its damage or destruction.*

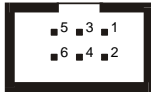
## **In-System serial programming by 849**

For general definition, recommendation and direction about ISP see section **Common notes / ISP** please.



---

## Description of 849 ISP connector



Front view at ISP connector of programmer.

Specification of ISP connector pins depends on the device, which you want to program. You can find it in the control SW for programmer (PG4UW), menu **Device / Device Info (Ctrl+F1)**. Be aware, the ISP programming way of respective device must be selected. It is indicated by (ISP) suffix after name of selected device.

These specifications correspond with Atmel application note AVR910: In-System Programming. Used application note you may find on [www.bkprecision.com](http://www.bkprecision.com).



**Note:** Pin no. 1 is signed by triangle scratch on ISP cable connectors.

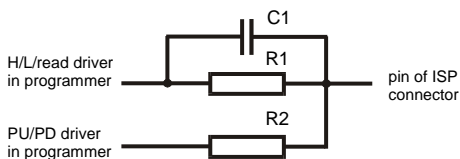
ISP cable of 849

### Warnings:

- **When you use 849 as ISP programmer, don't insert device to ZIF socket.**
- **When you program devices in ZIF socket, don't insert ISP cable to ISP connector.**
- Use only **attached ISP cable**. When you use other ISP cable (other material, length...), programming may occur unreliable.
- **849 cannot supply target system and target system cannot supply 849.** Before action with target device 849 check power supply of target system. If this power supply is different as expected, no action with device will be executed.

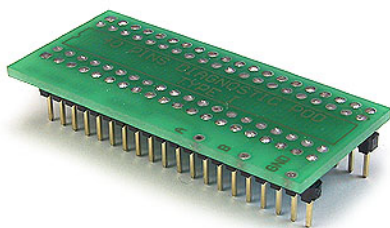
---

**Note:** H/L/read 849 driver.



## ***Selftest and calibration***

If you feel that your programmer does not react according to your expectation, please run the programmer selftest using Diagnostic POD, enclosed with the standard delivery package. For optimal results with programmer we recommend you undertake every 6 months, an extended test and to check the calibration. See instructions for selftest in the **Diagnostics** menu of PG4UW.



## ***Technical specification***

### ***HARDWARE***

#### ***Socket, pin drivers and DACs***

- FPGA based IEEE 1284 slave printer port, up to 1MB/s transfer rate
- 40-pin DIL ZIF (Zero Insertion Force) socket accepts both 300/600 mil devices up to 40-pin
- two D/A converters for VCCP and VPP, controllable rise and fall time
- VCCP range 0 – 6.5V / 150mA
- VPP range 0 – 15V / 100mA
- special GND/VCCP/VPP pindriver for MCS51 and AVR devices



- spare GND, VCCP and VPP driver, which add additional made-by-wire GND/VCCP/VPP pin capability for future devices
- FPGA based TTL driver provides H, L, CLK, pull-up, pull-down on and read for all pindriver pins,
- level H selectable from 1.8 V up to 5V
- in-circuit serial programming (ISP) capability included

## **ISP connector**

- 6-pin male type with missinsertion lock
- 4 TTL pindrivers, provides H, L, CLK, pull-up, pull-down; level H selectable from 1.8V up to 5V to handle all (low-voltage including) devices.
- 1x target voltage sense pin
- Atmel AN AVR910 compatible pinout

## **DEVICE SUPPORT**

### **Programmer, in ZIF socket**

- microcontrollers MCS51 series: 87Cxxx, 87LVxx, 89Cxxx, 89Sxxx, 89LVxxx, LPC series from Atmel, Atmel W&M, Intel, Philips, SST, Winbond, ... 8-40 pins (\*1)
- microcontrollers Atmel AVR: ATtiny, AT90Sxxx, ATmega series (parallel and serial mode), 8-40 pins (\*1)
- Serial E(E)PROM: 24Cxxx, 24Fxxx, 25Cxxx, 59Cxxx, 85xxx, 93Cxxx series

### **Programmer, through ISP connector**

- Microcontrollers Atmel: AT89Sxxx, AT90Sxxxx, ATtiny, ATmega series
- Microcontrollers Philips: LPC series

#### **Note:**

- For all supported devices see actual **Device list** on [www.bkprecision.com](http://www.bkprecision.com).

## **Programming speed**

Device	Operation	Time
AT89C52	programming and verify	15 sec
T87C5111	programming and verify	14 sec

**Conditions:** P4, 2,4GHz,ECP, Windows XP

## **SOFTWARE**

- **Algorithms:** only manufacturer approved or certified algorithms are used.
- **Algorithm updates:** software updates are available approx. every 2 weeks, free of charge.
- **Main features:** revision history, session logging, on-line help, device and algorithm information



---

## ***Device operations***

- **standard:**
  - intelligent device selection by device type, manufacturer or typed fragment of part name
  - blank check
  - read
  - program
  - verify
  - erase
  - configuration and security bit program
- **security:**
  - insertion test, reverse insertion check
  - contact check
  - ID byte check
- **special:**
  - statistic
  - count-down mode
  - auto device serial number increment

## ***Buffer operations***

- view/edit, find/replace
- fill/copy, move, byte swap, word/dword split
- checksum (byte, word)
- print

## ***Supported file formats***

- unformatted (raw) binary
- HEX: Intel, Intel EXT, Motorola S, MOS, Exormax, Tektronix, ASCII-space-HEX

## ***PC system requirements***

See section *Introduction/ PC requirements*

## ***GENERAL***

- operating voltage 12..15V DC, max. 500mA
- power consumption 5W max.
- dimensions 137x65x40 mm (5.4x2.6x1.6 inch)
- weight (without external power adapter) ca. 200g (7.06 oz)
- temperature 5°C ÷ 40°C (41°F ÷ 104°F)
- humidity 20%..80%, non condensing

## ***Package included***

- 849 programmer
- connection cable PC-programmer
- ISP cable



- 
- diagnostic POD for selftest
  - anti-dust cover for ZIF socket
  - wall plug adapter, 12V DC/500mA, unstabilized
  - user manual
  - software
  - registration card
  - transport case

### ***Additional services***

- Keep Current
- AlgOR
- free technical support (phone/fax/e-mail).
- free lifetime software update via Web site.

---

# *Software*

---



---

## **The programmer software**

The programmer package contains a CD with the control program, useful utilities and additional information. The permission to freely copy the content of the CD is granted in order to demonstrate how B+K Precision's programmers works. Differences and modifications to this manual (if they exist) may be found on [www.bkprecision.com](http://www.bkprecision.com) web site.

### **Installing of programmer software**

Installing the programmer software is very easy. Insert delivered CD to your CD drive and install program starts automatically. Install program (setup.exe), which will guide you through the installation process and which will do all the necessary steps before you can first run the control program.

Program PG4UW.exe is common control programs for these B+K Precision's programmers. We guarantee running of these programs under all of above mentioned operating systems without any problems. Also background operation under Windows is error-free.

### **New versions of programmer software**

In order to exploit all the capabilities of programmer we recommend using the latest version of PG4UW (see appendix B - Keep-Current Service). You may download the latest version of programmer software (file PG4UWARC.exe) from our Internet site [www.bkprecision.com](http://www.bkprecision.com).

### **Upgrading the programmer software**

Copy PG4UWARC.exe to a temporary directory then launch it. After extraction you will see all available files needed for the installation process. Then redo a standard installation (run the Setup program). You may delete all files from the temporary folder after the installation process is complete.

### **Using the programmer software**

*The control program delivered by B+K PRECISION, included on the CD in your package, is granted to be free from any viruses at the moment of delivery. To increase their safety our programs include a special algorithm for detecting possible virus infections.*

## Run the control program

In Windows environment: double click to icon PG4UW.

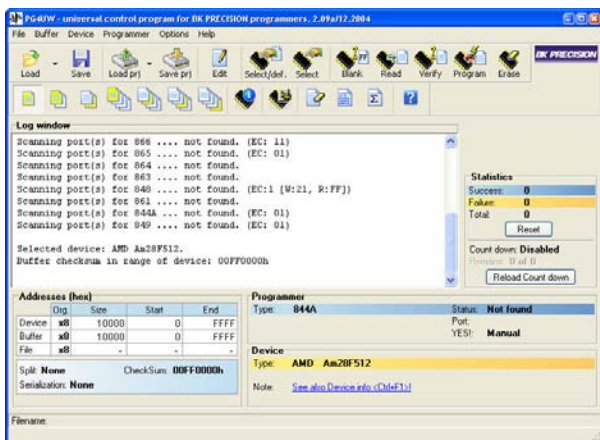
After start, control program PG4UW automatically scan all existing ports and search for the connected any B+K Precision's programmer. Program PG4UW is common for these B+K Precision's programmers, hence program try to find all supported (865, 866, 864, 844USB, 844A, 848, 848A and 849) programmers.

**Notes:** When the PG4UW program is started, program is checked for its integrity. Than the program display a standard user menu and waits for your instructions.

If the control program cannot communicate with the programmer, an error message appears on the screen, including error code and description of possible reasons (disconnected programmer, bad connection, power supply failure, incompatible printer port, ...). Eliminate the error source and press any key. If error condition still exist, the program resumes its operation in the demo mode and access to the programmer is not possible. If you cannot find the cause of the error, follow the instructions in **Troubleshooting** section. In addition, the control program checks communication with programmer prior to any operation with the programmed device.

## Description of the user screen

Windows program PG4UW



Header bar

the name, copyright statement and version of the PG4U/PG4UW the



---

<b>Menu bar</b>	control program
<b>Filename</b>	list of basic functions
<b>Programmer window</b>	information on the currently loaded file in buffer
<b>Addresses window</b>	information about the status of the programmer and PG4U/PG4UW organization, size, start and end addresses of the target device, buffer and file
<b>Device window</b>	all relevant information about the current target device
<b>Help bar</b>	a brief description of selected command

Menu selection is carried out in the normal GUI fashion - either by cursor moving plus pressing **<Enter>**, or by typing the highlighted letter in the wanted menu or - of course - by mouse. Hot-keys are available for even quicker selection of intensely used commands.

**Note:** *Data entered through keyboard is in HEX format, excepting ASCII blocks in Buffer/View/Edit command.*

## List of hot keys

<b>&lt;F1&gt;</b>	Help	Calls Help
<b>&lt;F2&gt;</b>	Save	Save file
<b>&lt;F3&gt;</b>	Load	Load a file into the buffer
<b>&lt;F4&gt;</b>	Edit	Viewing/editing of buffer
<b>&lt;F5&gt;</b>	Select/default	Target-device selection from 10 last selected devices list
<b>&lt;Alt+F5&gt;</b>	Select/manual	Target-device selection by typing device/vendor name
<b>&lt;F6&gt;</b>	Blank	Blank check
<b>&lt;F7&gt;</b>	Read	Reads device's content into the buffer
<b>&lt;F8&gt;</b>	Verify	Compares contents of the target device with the buffer
<b>&lt;F9&gt;</b>	Program	Programs target device
<b>&lt;Alt+Q&gt;</b>	Exit without save	Terminates the PG4UW
<b>&lt;Alt+X&gt;</b>	Exit and save	Terminates the PG4UW and saving settings too
<b>&lt;Ctrl+F1&gt;</b>		Displays additional information about current device
<b>&lt;Ctrl+F2&gt;</b>	Erase	Fill's the buffer with a given value
<b>&lt;Ctrl+Shift+F2&gt;</b>		Fill's the buffer with random values.

## File

---

This submenu is used for source files manipulation, settings and viewing directory, changes drives, changes start and finish address of buffer for loading and saving files by **binary**, **MOTOROLA**, **MOS Technology**, **Intel (extended) HEX**, **Tektronix**, **ASCII space**, **JEDEC**, and **POF** format. The menu commands for loading and saving projects are located in this submenu too.

## **File / Load**

Analyze file format and loads the data from specified file to the buffer. You can choose the format desired (**binary**, **MOTOROLA**, **MOS Technology**, **Tektronix**, **Intel (extended) HEX**, **ASCII space**, **JEDEC** and **POF**). The control program stores a last valid mask for file listing. You can save the mask into the config. file by command **Options / Save options**.

Checking the check box **Automatic file format recognition** tells program to detect file format automatically. When program can't detect file format from one of supported formats, the binary file format is assumed.

When the check box **Automatic file format recognition** is unchecked program allows user to manually select wished file format from list of available file formats on panel **Selected file format**. Default set is from **Options / General options** in panel **Load file format** at tab **File options**.

Checking the check box **Buffer offset for loading** tells the program to set buffer offset for all data addresses, which will be written to buffer. This feature is useful for binary and all HEX formats. Using this one-shot setting disables current setting of native offset in menu **Options / General options** in panel **Negative offset for loading** at tab **Hex file options**.

Checking the check box **Erase buffer before loading** tells the program to erase all buffer data using entered Erase value. Buffer erase is performed immediately before reading file content to buffer and it is functional for binary and all HEX file formats. Using this one-shot setting disables current setting of **Erase buffer before loading** option in menu **Options / General options** at tab **Hex file options**.

If the checkbox **Swap bytes** is displayed, the user can activate function of swapping bytes within 16bit words (or 2-byte words) during reading of file. This feature is useful especially when loading files with Motorola representation of byte order in file (big endian). Standard load file is using little endian byte order.

**Note:** *Big-endian and little-endian are terms that describe the order in which a sequence of bytes are stored in computer memory. Big-endian is an order in which the "big end" (most*



significant value in the sequence) is stored first (at the lowest storage address). Little-endian is an order in which the "little end" (least significant value in the sequence) is stored first. For example, in a big-endian computer, the two bytes required for the hexadecimal number 4F52 would be stored as 4F52H in storage address 1000H as: 4FH is stored at storage address 1000H, and 52H will be at address 1001H. In a little-endian system, it would be stored as 524FH (52H at address 1000H, and 4FH at address 1001H).

Number 4F52H is stored in memory:

Address	Big endian system	Little endian system
1000H	4FH	52H
1001H	52H	4FH

The reserved key <F3> will bring out this menu from any menu and any time.

## File / Save

This command saves data in the buffer, which has been created, modified, or read from a device onto a specified disk. You can choose the format desired (**binary, MOTOROLA, MOS Technology, Tektronix, Intel (extended) HEX, ASCII space, JEDEC and POF**).

If the checkbox **Swap bytes** is displayed, the user can activate function of swapping bytes within 16bit words (or 2-byte words) during writing to file. This feature is useful especially when saving files with Motorola representation of byte order in file (big endian). Standard save file operation is using little endian byte order.

The reserved key <F2> will bring out this menu from any menu and any time.

## File / Load project

This option is used for loading project file, which contains device configuration buffer data saved and user interface configuration.

The standard dialog **Load project** contains additional window - **Project description** - placed at the bottom of dialog. This window is for displaying information about currently selected project file in dialog Load project.

Project information consists of:

- manufacturer and name of the first device selected in the project
- date and time of project creation



- 
- user written description of project (it can be arbitrary text, usually author of project and some notes)

**Note:** for projects with serialization turned on

Serialization is read from project file by following procedure:

1. Serialization settings from project are accepted
2. Additional serialization file search is performed. If the file is found it will be read and serialization settings from the additional file will be accepted. Additional serialization file is always associated to the specific project file. When additional serialization file settings are accepted, project serialization settings are ignored.

Name of additional serialization file is derived from project file name by adding extension ".sn" to project file's name.

Additional serialization file is always placed to the directory "serialization\" into the control program's directory.

Example:

Project file name: my\_work.prj

Control program's directory: c:\Program Files\Programmer\

The additional serialization file will be:

c:\Program Files\Programmer\serialization\my\_work.prj.sn

Additional serialization file is created and refreshed after successful device program operation. The only requirement for creating additional serialization file is load project with serialization turned on.

Command **File / Save project** deletes additional serialization file, if the file exists, associated with currently saved project.

## **File / Save project**

This option is used for saving project file, which contains settings of device configuration and buffer data saved. Data saved to project file can be restored anytime by menu command **File / Load project**.

The dialog **Save project** contains three additional windows in **Project description** panel placed at the bottom of dialog **Save project**. The windows are for displaying information about currently selected project file in dialog **Save project** and information about current project, which has to be saved. Dialog **Save project** contains also additional button with picture of key displayed. Clicking on this button password dialog appears which can be used to save project with password. Projects with password are special projects also called **Protected mode projects**. For more detailed



---

information about project passwords see **Options / Protected mode**.

Project information consists of:

- manufacturer and name of the first device selected in the project
- date and time of project creation
- user written description of project (it can be arbitrary text, usually author of project and some notes)

The first (upper) window contains information about currently selected project file in dialog Save project.

The second (middle) windows displays information about actual program configuration including currently selected device, active programmer, date and time. These actual program settings are used for creation of project description header.

The third (bottom) window is user editable and contains project description (arbitrary text), which usually consists of project author and some notes.

## **File /Reload file**

Choose this option to reload a recently used file.

When you use a file, it is added to the **Reload file** list. Files are listed in order depending on time of use of them. Lastly used files are listed before files used far off.

To Reload a file:

- 1.From the File menu, choose Reload file.
- 2.List of lastly used files is displayed. Click the file you want to reload.

**Note:** *When reloading a file the file format is used, by which the file was lastly loaded/saved.*

## **File / Reload project**

Choose this option to reload a recently used project.

When you use a project, it is added to the **Reload project** list. Projects are listed in order depending on time of use of them. Lastly used projects are listed before projects used far off.

To Reload a project:

- 1.From the File menu, choose Reload project.

---

2. List of lastly used projects is displayed. Click the project you want to reload.

## ***File / Project options***

This option is used for display/edit project options of actually loaded project. Project options means basic description of project including following project data:

- device name and manufacturer
- project creation date
- version of program by which project was created
- user defined project description (arbitrary text), e.g. project author and other text data for more detailed project description

User can directly edit user defined project description only. Device name, manufacturer, project date and program version are generated automatically by program.

## ***File / Load encryption table***

This command loads the data from binary file from disk and it saves them into the part of memory, reserved for an encryption (security) table.

## ***File / Save encryption table***

This command writes the content of the memory's part, reserved for an encryption table, into the file on the disk as a binary data.

## ***File / Exit without save***

The command deallocates heap, cancels buffer on disk (if exists) and returns back to the operation system.

## ***File / Exit and save***

The command deallocates heap, cancels buffer on the disk (if exists), saves current setting of last 10 selected devices to disk and returns back to the operation system.

# ***Buffer***

Menu **Buffer** is used for buffer manipulation, block operation, filling a part of buffer with string, erasing, checksum and of course editing and viewing with other items (find and replace string, printing...).



---

## Buffer / View/Edit

This command is used to view (view mode) or edit (edit mode) data in buffer (for viewing in DUMP mode only). Use arrow keys for select the object for edit. Edited data are signified by color.

You can use <F4> hot key also.

### View/Edit Buffer

<b>F1</b>	display help of actual window
<b>F2</b>	fill block causes filling selected block of buffer by requested hex (or ASCII) string. Sets start and end block for filling and requested hex or ASCII string.
<b>Ctrl+F2</b>	erase buffer with specified blank value
<b>Ctrl+Shift+F2</b>	fill buffer with random data
<b>F3</b>	copy block is used to copy specified block of data in current buffer on new address. Target address needn't be out from source block addresses.
<b>F4</b>	move block is used to move specified block of data in current buffer on new address. Target address needn't be out from source block addresses. Source address block (or part) will be filled by topical blank character.
<b>F5</b>	swap bytes command swaps a high- and low- order of byte pairs in current buffer block. This block must start on even address and must have an even number of bytes. If this conditions do not fulfill, the program modifies addresses itself (start address is moved on lower even address and/or end address is moved on higher odd address).
<b>F6</b>	print buffer
<b>F7</b>	find string (max. length 16 ASCII characters)
<b>F8</b>	find and replace string (max. 16 ASCII chars.)
<b>F9</b>	change current address
<b>F10</b>	change mode view / edit
<b>F11</b>	switch the mode of buffer data view between 8 bit and 16 bit view. It can be also doing by mouse clicking on the button to the right of View/Edit mode buffer indicator. This button indicates actual data view mode (8 bit or 16 bit), too.

---

<b>F12</b>	checksum dialog allows to count checksum of selected block of buffer change mode view / edit
<b>Arrow keys</b>	move cursor up, down, right and left
<b>Home/End</b>	jump on start / end current line
<b>PgUp/PgDn</b>	jump on previous / next page
<b>Ctrl+PgUp/PgDn</b>	jump on start / end current page
<b>Ctrl+Home/End</b>	jump on start / end current device
<b>Shift+Home/End</b>	jump on start / end current buffer
<b>Backspace</b>	move cursor one position left (back)

**Note:** characters 20H - FFH (mode ASCII) and numbers 0..9, A..F (mode HEX) immediately changes content of edit area.

**Warning:** Editing of ASCII characters for word devices is disabled.

### **Print buffer**

This command allows write selected part of buffer to printer or to file. Program uses at it an external text editor in which selected block of buffer is displayed and can be printed or saved to file, too. By default is set simple text editor Notepad.exe, which is standard part of all versions of Windows.

In Print buffer dialog are following options:

#### **Block start**

Defines start address of selected block in buffer.

#### **Block end**

Defines end address of selected block in buffer.

#### External editor

This item defines path and name of external program, which has to be used as text viewer for selected block of buffer. By default is set simple text editor NOTEPAD.exe, which is standard part of all versions of Windows. User can define any text editor for example WORDPAD.exe, which is able to work with large text files. In user defined text editor user can print or save to file selected block of buffer.

The external editor path and name is saved automatically to disk.

### **Find dialog box**

Enter the search string to **Find** to text input box and choose **<Find>** to begin the search or choose **<Cancel>** to forget it.

**Direction** box specifies which way you want to search, starting from the current cursor position (In edit mode). **Forward** (from the current position or start of buffer to the end of the buffer) is the default. **Backward** searches toward the beginning. In view mode searches all buffer.



Origin specifies where the search should start.

### **Find & Replace dialog box**

Enter the search string in the Text to find string input box and enter the replacement string in the **Replace with** input box.

In **Options** box you can select prompt on replace: if program finds instance you will be asked before program change it.

Origin specifies where the search should start.

**Direction** box specifies which way you want to search, starting from the current cursor position (In edit mode). **Forward** (from the current position or start of buffer to the end of the buffer) is the default. **Backward** searches toward the beginning. In view mode searches all buffer.

Press **<Esc>** or click **Cancel** button to close dialog window.

By pressing **Replace** button the dialog box is closed and a Question window is displayed. This window contains following choices:

- Yes** replaces found item and finds next
- No** finds next item without replacing current one
- Replace All** replaces all found items
- Abort search** aborts this command

### **View/Edit buffer for PLD**

- Ctrl+F2** erase buffer with specified blank value
- Ctrl+Shift+F2** fill buffer with random data
- F9** go to address...
- F10** change mode view / edit
- F11** switch the mode of buffer data view between 1 bit and 8 bit view. It can be also do by mouse clicking on the button to the right of View/Edit mode buffer indicator. This button indicates actual data view mode (1 bit or 8 bit), too.
- Arrow keys** move cursor up, down, right and left
- Home/End** jump on start / end current line
- PgUp/PgDn** jump on previous / next page
- Ctrl+PgUp/PgDn** jump on start / end current page
- Ctrl+Home/End** jump on start / end edit area
- Backspace** move cursor one position left (back)

**Note:** Characters 0 and 1 immediately changes content of edit area.

---

## **Buffer / Fill block**

Selecting this command causes filling selected block of buffer by requested hex (or ASCII) string. Sets start and end block for filling and requested hex or ASCII string.

## **Buffer / Copy block**

This command is used to copy specified block of data in current buffer on new address. Target address needn't be out from source block addresses.

## **Buffer / Move block**

This command is used to move specified block of data in current buffer on new address. Target address needn't be out from source block addresses. Source address block (or part) will be filled by topical blank character.

## **Buffer / Swap block**

This command swaps a high- and low- order of byte pairs in current buffer block. This block must start on even address and must have an even number of bytes. If this conditions do not fulfill, the program modifies addresses itself (start address is moved on lower even address and/or end address is moved on higher odd address).

## **Buffer / Erase**

If this command is selected, the content of the buffer will be filled with topical blank character.

The reserved key <Ctrl+F2> will bring out this menu from any menu and any time.

## **Buffer / Fill random data**

If this command is selected, the content of the buffer will be filled with random data.

The reserved key <Shift+Ctrl+F2> will bring out this menu from any menu and any time.

## **Buffer / Duplicate buffer**

This command performs duplicate buffer content in range of source EPROM to range of destination EPROM. This procedure is suitable if there is used for example 27C512 EPROM to 27C256 EPROM position.

**Note:** *The procedure always uses buffer start address 00000h.*



## Buffer / Checksum

The checksum dialog is used for calculate checksums of selected block in buffer. The checksums are calculated by next way :

<b>Byte</b>	sum by bytes to "word". CY flag is ignored
<b>Word</b>	sum by words to "word". CY flag is ignored
<b>Byte (CY)</b>	sum by bytes to "word". CY flag is added to result.
<b>Word (CY)</b>	sum by words to "word". CY flag is added to result.
<b>CRC-CCITT</b>	sum by bytes to "word" using $RESULT=PREVIOUS + (x^{16} + x^{12} + x^5 + 1)$
<b>CRC-XModem</b>	sum by bytes to "word" using $RESULT=PREVIOUS + (x^{16} + x^{15} + x^2 + 1)$

Column marked as **Neg.** is a negation of checksum so, that  $Sum + Neg. = FFFFH$ .

Column marked as **Suppl.** is complement of checksum so, that  $Sum + Suppl. = 0$  (+ carry).

Dialog checksum contains following items:

**From address:** This is a start address of block selected for calculating checksums in buffer. Address is defined as Byte address.

**To address:** This is an end address of block selected for calculating checksums in buffer. Address is defined as Byte address.

**Insert checksum:** This is special item used for select which kind of checksum will be written into the buffer when, the **Calculate & insert** was executed.

**Insert at address:** This is special item that specifies an address from the buffer where a result of chosen checksum will be written, when the **Calculate & insert** was executed. Address can not be specified inside the range **<From address>** to **<To address>**, from which will be checksum calculate. Address is defined as Byte address.

**Size:** This item is used for setting a size of chosen checksum result, which will be written into the buffer. A size of checksum result may be 8 (byte) or 16 (word) bits long. If word size was selected, whole checksum value will be written into the buffer. In other case will be written only low byte of checksum value.



---

**Note:** *If word size was selected, a low byte of checksum value will be written on address specified in box Insert address and a high byte will be written on address incremented by one.*

**Calculate:** Click on the button Calculate starts calculating checksums for selected block in buffer. No writes into the buffer are executed.

**Calculate & insert:** Click on the button **Calculate & insert** starts calculating checksums for selected block in the buffer and writes the chosen checksum into the buffer on address specified by **Insert address**.

## Device

Menu **Device** includes functions for a work with selected programmable devices - device select, read data from device, device blank check, device program, device verify and device erase.

### **Device / Select from default devices**

This window allows selecting the desired type of the device from list of default devices. This one is a cyclic buffer in which are stored last 20 selected devices including its device options. This list is saved to disk by command **File / Exit and save**.

If you wish display additional information about the current device, use an **<Ctrl+F1>** key. This command provides a size of device, organization, programming algorithm and a list of programmers (including auxiliary modules) that supported this device. You can find here package information and other general information about current device too.

Use a **<Del>** key for delete of current device from list of default devices. There isn't possible to empty this list, if you repeat this access. The last device stays in buffer and the **<Del>** key isn't accepted.

### **Device / Select device ...**

This window allows selecting the desired type of the device from all devices supported by current programmer. It is possible to choose device by **name**, by **type** or by **manufacturer**.

Selected device is automatically saved to buffer of default devices. This buffer is accessible with **Device / Select from default devices** command.



---

If you wish display additional information about the current device, use an **<Ctrl+F1>** key. This command provides a size of device, organization, programming algorithm and a list of programmers (including auxiliary modules) that supported this device. You can find here package information and other general information about current device too.

### **Select device ... / All**

This window allows selecting the desired type of the device from all devices supported by current programmer. Supported devices are displayed in a list box.

Device can be select by double click on a line from list with desired manufacturer name and device number or by entering manufacturer name and/or device number in a search box (use a key **<Space>** as a separation character) and press **<Enter>** or click **OK** button.

Press a key **<Esc>** or click **Cancel** button at any time to cancel device selection without affecting the currently selected device.

Selected device is automatically saved to buffer of default devices. This buffer is accessible with **Device / Select from default devices** command.

If you wish display additional information about the current device, use an **<Ctrl+F1>** key. This command provides a size of device, organization, programming algorithm and a list of programmers (including auxiliary modules), which supported this device. You can find here package information and other general information about current device too.

### **Select device ... / Only selected type**

This window allows selecting the desired type of the device. At the first - you must select a device type (e.g. EPROM) and device subtype (e.g. 64Kx8 (27512)), using mouse or cursor keys. It will cause a list of manufacturers and devices will be displayed.

Device can be select by double click on a line from list with desired manufacturer name and device number or by entering manufacturer name and/or device number in a search box (use a key **<Space>** as a separation character) and press **<Enter>** or click **OK** button.

Press a key **<Esc>** or click **Cancel** button at any time to cancel device selection without affecting the currently selected device.

Selected device is automatically saved to buffer of default devices (max. 20 devices). This buffer is accessible with **Device / Select from default devices** command.

---

If you wish display additional information about the current device, use an **<Ctrl+F1>** key. This command provides a size of device, organization, programming algorithm and a list of programmers (including auxiliary modules), which supported this device. You can find here package information and other general information about current device too.

### **Select device ... / Only selected manufacturer**

This window allows selecting the desired device type by manufacturer. First select a required manufacturer in Manufacturer box using mouse or cursor keys. It will cause a list of selected manufacturer devices will be displayed.

Device can be select by double click on a line from list with desired manufacturer name and device number or by entering device number in a search box (use a key **<Space>** as a separation character) and press **<Enter>** or click **OK** button.

Press a key **<Esc>** or click **Cancel** button at any time to cancel device selection without affecting the currently selected device.

Selected device is automatically saved to buffer of default devices (max. 20 devices). This buffer is accessible with **Device / Select from default devices** command.

If you wish display additional information about the current device, use an **<Ctrl+F1>** key. This command provides a size of device, organization, programming algorithm and a list of programmers (including auxiliary modules), which supported this device. You can find here package information and other general information about current device too.

### **Device / Select EPROM /Flash by ID**

Use this command for auto select an EPROM or Flash as active device by reading the device ID. The programmer can automatically identify certain devices by the reading the manufacturer and the device-ID that are burnt into the chip. This only applies to EPROM or Flash that supports this feature. If the device does not support a chip ID and manufacturer's ID, a message will be displayed indicating this as an unknown or not supported device.

If more devices with identical chip ID and manufacturer's ID were detected, the list of these devices will be displayed. A corresponding device can be chosen from this list by selecting its number (or manufacturer name) from list and press **<Enter>** (or click **OK** button). Press a key **<Esc>** or click **Cancel** button at any time to cancel device selection without affecting the currently selected device.

**WARNING:** *The control program only support this time EPROM's and Flash with 28 and 32 pins. Any of programmers*



determines pins number automatically. For other programmers you must enter this number manually.

The programmer applies a high voltage to the appropriate pins on the socket. This is necessary to enable the system to read the device ID. Do not insert into the socket a device that is not an EPROM or Flash. It may be damaged when the programmer applies the high voltage.

We don't recommend apply this command to 2764 and 27128 EPROM types, because most of them ID not supports.

## Device / Device options

All settings of this menu are used for programming process, serialization and associated file control.

### Device / Device options / Operation options

All settings of this command are used for programming process control. This is a flexible environment which content items associated with current device and programmer type. Items, which are valid for the current device but aren't supported by current programmer, are disabled. These settings are saving to disk along with associated device by **File / Exit and save** command.

The commonly used term are also explained in the user's manual to programmer. The special terms used here are exactly the terms used by manufacturer of respective chip. Please read the documentation to the chip you want to program for explanation of all used terms.

### List of commonly used items:

group **Addresses:**

**device start address** (default 0)  
**device end address** (default device size-1)  
**buffer start address** (default 0)  
**Split** (default none)

This option allows setting special mode of buffer when programming or reading device. Using split options is particularly useful when using 8-bit data memory devices in 16-bit or 32-bit applications.

Following table describes buffer to device and device to buffer data transfer

<b>Split type</b>	<b>Device</b>	<b>Buffer Address assignment</b>
None	Device[ADDR]	Buffer[ADDR]
Even	Device[ADDR]	Buffer[2*ADDR]
Odd	Device[ADDR]	Buffer[1+(2*ADDR)]
1./4	Device[ADDR]	Buffer[4*ADDR]

---

2./4	Device[ADDR]	Buffer[1+(4*ADDR)]
3./4	Device[ADDR]	Buffer[2+(4*ADDR)]
4./4	Device[ADDR]	Buffer[3+(4*ADDR)]

Real addressing will be following: (all addresses are hexadecimal)

Split type	Device addresses	Buffer addresses
None	00 01 02 03 04 05	00 01 02 03 04 05
Even	00 01 02 03 04 05	00 02 04 06 08 0A
Odd	00 01 02 03 04 05	01 03 05 07 09 0B
1./4	00 01 02 03 04 05	00 04 08 0C 10 14
2./4	00 01 02 03 04 05	01 05 09 0D 11 15
3./4	00 01 02 03 04 05	02 06 0A 0E 12 16
4./4	00 01 02 03 04 05	03 07 0B 0F 13 17

Terms explanation:

Access to device address ADDR is written as Device[ADDR].

Access to buffer address ADDR is written as Buffer[ADDR].

ADDR value can be from zero to device size (in bytes).

All addresses are byte oriented addresses.

group **Insertion test:**

**insertion test** (default ENABLE)

If enabled, the programmer checks all pins of the programmed chip, if have proper connection to the ZIF socket (continuity test). The programmer is able to identify the wrong contact, misinserted chip and also (partially) backinserted chip.

**check ID bytes** (default ENABLE)

If enabled, the programmer checks the electronic ID of the programmed chip.

**Note 1:** *Some old chips don't carry electronic ID.*

**Note 2:** *In some special cases, several microcontrollers don't provide ID, if copy protection feature in the chip is set, even if device ID check setting in control program is set to "Enable".*

group **Command execution:**

**blank check before programming** (default DISABLE)

**erase before programming** (default DISABLE)

**verify after reading** (default ENABLE)

**verify** (ONCE, TWICE)

**verify options** (nominal VCC +/-5%  
nominal VCC +/-10%  
VCCmin - VCCmax)

group **ISP Target Supply Parameters**



---

**Enable target system power supply** - enables supplying of target system from programmer. Supply voltage for target system is switched on before action with programmed device and is switched off after action finished. If Keep ISP signals at defined level after operation is enabled, then programmer will switch off supply voltage after pull-up/pull-down resistors are deactivated.

**Voltage** - supply voltage for target system.

**Max. current** - maximum current consumption of powered target system.

**Voltage rise time** - determines skew rate of rising edge of target supply voltage (switch on supply voltage).

**Target supply settle time** - determines time, after which must be supply voltage in target system stabilized at set value and target system is ready to any action with programmed device.

**Voltage fall time** - determines skew rate of falling edge of target supply voltage (switch off supply voltage).

**Power down time** - determines time after switch off target system power supply within target system keeps residual supply voltage (e.g. from charged capacitor). After this time elapsed target system has to be without supply voltage and can be safely disconnected from programmer.

#### group **Target System Parameters**

**Oscillator frequency** (in Hz) - oscillator's frequency of device (in target system). Control program sets programming speed by its, therefore is necessary set correct value.

**Supply voltage** (in mV) - supply voltage in target system. Control program checks or sets (it depends on programmer type) entered supply voltage in target system before every action on device.

**Disable test supply voltage** - disables measure and checking supply voltage of programmed device, set in Supply voltage edit box, before action with device.

**Delay after reset active** - this parameter determine delay after Reset signal active to start action with device. This delay depends on values of used devices in reset circuit of device and can be chosen from these values: 10ms, 50ms, 100ms, 500ms or 1s.

---

**Inactive level of ISP signals** - this parameter determine level of ISP signals after finishing access to target device. Signals of ISP connector can be set to Pull-up (signals are tied through 22k resistors to supply voltage) or Pull-down (signals are tied through 22k resistors to ground).

**Keep ISP signals at defined level after operation** - enables keeping set level of ISP signals after access to target device finished. Control program indicates activated pull-up/pull-down resistors by displaying window with warning. After user close this window control program will deactivate resistors.

### ***Device / Device options / Serialization***

Serialization is special mode of program. When a serialization mode is activated, a specified value is automatically inserted on predefined address into buffer before programming each device. When more devices are programmed one by one, the serial number value is changed for each device automatically and inserted into buffer before programming device, so each device has unique serial number.

There are two types of serialization:

- Incremental mode
- From file mode

If a new device is selected, the serialization function is set to a default state i.e. disabled.

Actual serialization settings for actually selected device are saving to disk along with associated device by **File / Exit and save** command.

When incremental mode is active following actual settings are saved to configuration file: address, size, serial value, incremental step and settings of modes ASCII / BIN, DEC / HEX, LS byte / MS Byte first.

When from-file mode is active following actual settings are saved to configuration file: name of input serialization file and actual label, which indicates the line with actual serial number in input file.

When program is in multiprogramming mode (multiple socket programmer is actually selected) the special section - **Action on not programmed serial values due to error** - is displayed in dialog **Serialization**. In this section two choices are available:

- 1.Ignore not programmed serial values
- 2.Add not programmed serial values to file



---

**Ignore not programmed serial values** means the not programmed serial values are ignored and no action is done with them.

**Add not programmed serial values to file** means the not programmed serial values are added to file. The file of not programmed serial values has the same text format as serialization file for "From-file" serialization mode. So there is possible to program the serial values later on by "From-file" serialization mode.

If device programming is stopped by user, program will not change the serial values ready for next batch of devices. The same situation is if device program is incomplete, e.g. for device insertion test error.

Ignoring or writing not programmed serial values is only used when at least one device from current batch of devices in multiple socket module programmer is completely programmed and verified without errors.

**Note:** *Serialization can work with control program's main buffer only. It means the serialization can be used for device areas placed inside control program's main buffer. Device special areas placed outside the program's main buffer could not use serialization feature.*

### **Device / Device options / Serialization / Incremental mode**

The **Incremental mode** enables to assign individual serial numbers to each programmed device. A starting number entered by user will be incremented by specified step for each device program operation and loaded in selected format to specified buffer address prior to programming of each device.

There are following options, that user can modify for incremental mode:

#### **S / N size**

S / N size option defines the number of bytes of serial value which will be written to buffer. For Bin (binary) serialization modes values 1-4 are valid for S / N size and for ASCII serialization modes values 1-8 are valid for S / N size.

#### **Address**

Address option specifies the buffer address, where serial value has to be written. Note that address range must be inside the device start and device end addresses. Address must be correctly specified so the last (highest or lowest) byte of serial value must be inside device start and device end address range.



---

### Start value

Start value option specifies the initial value, from which serialization will start. Generally the max. value for serialization is \$1FFFFFFF in 32 bit long word.

When the actual serial value exceeds maximum value, three most significant bits of serial number are set to zero. After this action the number is always inside 0..\$1FFFFFFF interval (this is basic style of overflow handling).

### Step

Step options specifies the increment step of serial value incrementation.

### S / N mode

S / N mode option defines the form in which serial value has to be written to buffer. Two options are available:

- ASCII
- Bin

**ASCII** - means the serial number is written to buffer as ASCII string. For example number \$0528CD is in ASCII mode written to buffer as 30h 35h 32h 38h 43h 44h ('0' '5' '2' '8' 'C' 'D'), i.e. six bytes.

**Bin** - means the serial number is written directly to buffer. If the serial number has more than one byte length, it can be written in one of two possible byte orders. The byte order can be changed in „Save to buffer“ item.

### Style

Style option defines serial number base. There are two options:

- Decimal
- Hexadecimal.

**Decimal** numbers are entered and displayed using the characters '0' through '9'.

**Hexadecimal** numbers also use characters 'A' through 'F'. The special case is Binary Dec, that means BCD number style. BCD means the decimal number is stored in hexadecimal number, i.e. each nibble must have value from 0 to 9. Values A to F are not allowed as nibbles of BCD numbers.

Select the base in „Style“ options before entering numbers of serial start value and step.

### Save to buffer

Save to buffer option specifies the serial value byte order to write to buffer. This option is used for Bin S / N mode (for ASCII mode it has no effect).

Two options are available:



- LSByte first (used by Intel processors) will place the Least Significant Byte of serial number to the lowest address in buffer.
- MSByte first (used by Motorola processors) will place the Most significant Byte first to the lowest address in buffer.

### Split serial number at every N byte(s)

The option allows dividing serial number into individual bytes and placing the bytes at each Nth address of buffer. This feature is particularly useful for example for Microchip PIC devices when the device serial number can be the part of program memory as group of RETLW instructions. The example of using serial number split is listed in section Examples bellow as example number 2.

### Examples:

1. Write serial numbers to AT29C040 devices at address 7FFFAH, size of serial number is 4 bytes, start value is 16000000H, incremental step is 1, the serial number form is binary and least significant byte is placed at the lower address of serial number in device.

To make above described serialization following settings have to be set in Serialization dialog:

Mode: Incremental mode  
S/N size: 4 bytes  
S/N mode:: Bin  
Style: Hex  
Save to buffer: LS Byte first  
Address: 7FFFCB  
Start value: 16000000H  
Step: 1

Following values will be written to device:

The 1st device

Address Data

007FFF0 xx xx xx xx xx xx xx xx xx xx xx xx 00 00 00 16

The 2nd device

Address Data

007FFF0 xx xx xx xx xx xx xx xx xx xx xx xx 01 00 00 16

The 3rd device

Address Data

007FFF0 xx xx xx xx xx xx xx xx xx xx xx xx 02 00 00 16

etc.

"xx" mean user data programmed to device

Serial numbers are written to device from address 7FFFCB to address 7FFFFH because serial number size is 4 bytes.

---

2. Following example shows usage of SQTP serialization mode when serial number is split into RETLW instructions for Microchip PIC16F628 devices.

**Note:** Serial quick turn programming (SQTP) is Microchip specified standard for serial programming of Microchip PIC microcontrollers. Microchip PIC devices allows you to program a unique serial number into each microcontroller. This number can be used as an entry code, password, or ID number.

Serialization is done by using a series of RETLW (Return Literal W) instructions, with the serial number bytes as the literal data. To serialize, you can use Incremental mode serialization or From file mode serialization.

*Incremental serialization offers serial number Split function. Serial number split allows usage of incremental numbers separated into even or odd bytes and between each byte of serial number RETLW instruction code is inserted.*

*From file serialization is using proprietary serial numbers file. This file can consist of various serial numbers. The numbers can have format suitable for SQTP that means number RETLW b1 RETLW b2 and so on. Note that PG4UW serial file format is not compatible with SQTP serial file generated by Microchip MPLAB.*

Device PIC16F628 has 14 bit wide instruction word. Instruction RETLW has 14-Bit Opcode:

Description	MSB	14-Bit word	LSB
RETLW    Return with literal in W11	01xx	kkkk	kkkk

where xx can be replaced by 00 and k are data bits, i.e. serial number byte

Opcode of RETLW instruction is hexadecimal 34KKH where KK is data Byte (serial number byte)

Let's assume we want to write serial number 1234ABCDH as part of four RETLW instructions to device PIC. The highest Byte of serial number is the most significant Byte. We want to write the serial number to device program memory at address 40H. Serial number split us very useful in this situation. Serialization without serial number split will write the following number to buffer and device:

Address	Data
0000080	CD AB 34 12 xx xx xx xx xx xx xx xx xx xx xx xx



---

**Note:** address 80H is because buffer has byte organization and PIC has word organization so it has equivalent program memory address 40H. When buffer has word organization x16, the address will be 40H and number 1234ABCDH will be placed to buffer as following:

Address	Data
0000040	ABCD 1234 xxxx xxxx xxxx xxxx xxxx xxxx

We want to use RETLW instruction so buffer has to be:

Address	Data
0000040	34CD 34AB 3434 3412 xxxx xxxx xxxx xxxx

We can do this by following steps:

- write four RETLW instructions at address 40H to main buffer (this can be done by hand editing buffer or by loading file with proper content). The bottom 8 bits of each RETLW instruction are not important now, because serialization will write correct serial number bytes at bottom 8 bits of each RETLW instruction.

The buffer content before starting device program will look for example as following:

Address	Data
0000040	3400 3400 3400 3400 xxxx xxxx xxxx xxxx

8 bits of each RETLW instructions are zeros, they can have any value.

- Set the serialization options as following:

- S/N size 4 Bytes
- Address: 40H
- Start value: 1234ABCDH
- Step: 1
- S/N mode: BIN
- Style: HEX
- Save to buffer: LS Byte first

Check the option "Split serial number at every N byte(s)" and split value N set to 2.

(It means split of serial number to buffer at every second Byte)

The correct serial number is set tightly before device programming operation starts.

The buffer content of serial number when programming the first device is:

Address	Data
---------	------

---

0000040 34CD 34AB 3434 3412 xxxx xxxx xxxx xxxx

That's it.

3. Following example uses the same serialization options as Example number 2, instead the serial number split is set to 3 and 4.

When "Split serial number at every 3 byte(s)" is set, the buffer content will look as:

Byte buffer organization:

Address Data

0000080 CD xx xx AB xx xx 34 xx xx 12 xx xx xx xx xx xx

Word16 buffer organization:

Address Data

0000040 xxCD ABxx xxxx xx34 12xx xxxx xxxx xxxx

When "Split serial number at every 4 byte(s)" is set, the buffer content will look as:

Byte buffer organization:

Address Data

0000080 CD xx xx xx AB xx xx xx 34 xx xx xx 12

Word16 buffer organization:

Address Data

0000040 xxCD xxxx xxAB xxxx xx34 xxxx xx12 xxxx

**Advice:** *When you are not sure about effects of serialization options, there is possible to test the real serial number, which will be written to buffer. The test can be made by following steps:*

- 1. select wished serialization options in dialog Serialization and confirm these by OK button*
- 2. in dialog Device operation options set Insertion test and Device ID check (if available) to Disabled*
- 3. check there is no device inserted to programmer's ZIF socket*
- 4. run Device Program operation (for some types of devices it is necessary to select programming options before programming will start)*
- 5. after completing programming operation (mostly with some errors because device is not present) look at the main buffer (View/Edit buffer) at address where serial number should be placed*

**Note:** *Address for Serialization is always assigned to actual device organization and buffer organization that control program is using for current device. If the buffer organization is byte org. (x8), the Serialization Address will*



be byte address. If the buffer organization is wider than byte, e.g. 16 bit words (x16), the Serialization Address will be word address.

### **Device / Device options / Serialization / From file mode**

Using the From-file method, serial values are read from the user specified input file and written to buffer on address specified in input file.

There are two user options: File name and Start label.

#### **File name**

File name option specifies the file name from which serial addresses and values will be read. The input file for From file serialization must have special format, which is described in From file serialization file format below.

#### **Start label**

Start label defines the start label in input file. The reading of serial values from file starts from defined start label.

#### **From file serialization file format**

From file serialization input file includes addresses and arrays of bytes defining buffer addresses and data to write to buffer. Input file has text type format, which structure is:

```
[label 1] addr byte0 byte1 .. byten  
...  
[label n] addr byte0 byte1 .. bytem , addr byte0 byte1 ... bytek  
          |                               |  
          basic part                      optional part  
  
; Comment
```

meaning is:

#### **basic part**

Basic part defines buffer address and array of bytes to write to buffer. Basic part must be always defined after label in line.

#### **optional part**

Optional part defines the second array of bytes and buffer address to write to buffer. One optional part can be defined after basic part of data.

label 1, label n - labels

Labels are identifiers for each line of input file. They are used for addressing each line of file. The labels should be unique. Addressing lines of file means, the required start

---

label entered by user defines line in input file from which serial values reading starts.

addr -

Addr defines buffer address to write data following the address.

byte0..byten, byte0..bytem, byte0..bytek -

Bytes arrays byte0..byten, byte0..bytem and byte0..bytek are defining data, which are assigned to write to buffer. Maximum count of bytes in one data field following the address is 64 bytes. Data bytes are written to buffer from address addr to addr+n.

The process of writing particular bytes to buffer is:

byte0 to addr

byte1 to addr + 1

byte2 to addr + 2

....

byten to addr + n

Optional part is delimited from the first data part by character “ , ” (comma) and its structure is the same as in the first data part, i.e. address and following array of data bytes.

Characters with special use:

[ ] - labels must be defined inside square brackets

',' – character which delimiters basic part and optional part of data

';' - the semicolon character means the beginning of a comment. All characters from ";" to the end of line are ignored. Comment can be on individual line or in the end of definition line.

**Note:**

- *Label names can contain all characters except '[' and ']'. The label names are analyzed as non case sensitive, i.e. character 'a' is same as 'A', 'b' is same as 'B' etc..*
- *All address and byte number values in input file are hexadecimal.*
- *Allowed address value size is from 1 to 4 bytes.*
- *Allowed size of data arrays in one line is in range from 1 to 64 bytes. When there are two data arrays in one line, the sum of their size in bytes can be maximally 80 bytes.*
- *Be careful to set correct addresses. Address must be defined inside device start and device end address range. In case of address out of range, warning window appears and serialization is set to disabled (None).*



- *Address for Serialization is always assigned to actual device organization and buffer organization that control program is using for current device. If the buffer organization is byte org. (x8), the Serialization Address will be byte address. If the buffer organization is wider than byte, e.g. 16 bit words (x16), the Serialization Address will be word address.*

### **Example:**

```
[nav1] A7890 78 89 56 02 AB CD ; comment1
[nav2] A7890 02 02 04 06 08 0A
[nav3] A7890 08 09 0A 0B A0 C0 ; comment2
[nav4] A7890 68 87 50 02 0B 8D
[nav5] A7890 A8 88 59 02 AB 7D

;next line contains also second definition
[nav6] A7890 18 29 36 42 5B 6D , FFFF6 44 11 22 33 99
88 77 66 55 16

; this is last line - end of file
```

In the example file six serial values with labels „nav1“, „nav2“, ...“nav6“ are defined. Each value is written to buffer on address \$A7890. All values have size 6 bytes. The line with „nav6“ label has also second value definition, which is written to buffer on address \$FFFF6 and has size 10 bytes, i.e. the last byte of this value will be written to address \$FFFFF.

**Note:** *Address for Serialization is always assigned to actual device organization and buffer organization that control program is using for current device. If the buffer organization is byte org. (x8), the Serialization Address will be byte address. If the buffer organization is wider than byte, e.g. 16 bit words (x16), the Serialization Address will be word address.*

### **Device / Device options / Statistics**

Statistics gives the information about actual count of device operations, which were proceeded on selected type device. If one device is corresponding to one device operation, e.g. programming, the number of device operations will be equal to number of programmed devices.

The next function of statistics is Count down. Count down allows checking the number of device operations, and then number of devices, on which device operations have to be done. After each successful device operation the value of count down counter is decremented. Count down has user defined start number of devices to do. When count down value reach zero, it means, specified number of devices is complete



---

and user message about complete count down will be displayed.

**Statistics** dialog contains following options:

Check boxes **Program**, **Verify**, **Blank**, **Erase** and **Read** define operations, after which statistics values increment.

Check box **Count down** sets Count down activity (enable or disable). Edit box following the Count down check box defines initial number of count down counter, from which count down starts.

**Statistics** dialog can be also opened by pressing right mouse button on Statistics panel and clicking displayed item Statistics.

Actual statistics values are displaying in main window of control program in Statistics panel.

Statistics panel contains three statistics values – **Success**, **Failure**, **Total** and two **Count down** information values **Count down** and **Remains**.

Meaning of the values is:

<b>Success</b>	number of operations which where successfully completed
<b>Failure</b>	number of operations which where not successfully completed
<b>Total</b>	number of all operations
<b>Count down</b>	informs about Count down activity (Enabled or Disabled)
<b>Remains</b>	informs about remaining number of device operations to do

Successful operation means any device operation of these, which is completed without errors:

- program
- verify
- blank check
- erase
- read

If device operation is finished with error(s) it is not successful operation.

When new device type is selected, all statistics values are set to zero and **Count down** is set to **Disabled**.

**Reset** button in **Statistics** panel reset statistics values.

**Reload Count down** button in **Statistics** panel reloads initial value to **Count down**.



---

### ***Device / Device options / Associated file***

This command is used for setting associated file with current device. This is a file, which can be automatic loaded to buffer after device is selected from default devices select list or by start control program.

You can edit the associated file name in file name box, put a full pathname. The control program checks the present of this file on the disk. Also is possible enabling or disabling automatic load of this file.

You can save both settings i.e. associated file and enabling of automatic load of this file to disk by command **File / Exit and save**.

### ***Device / Device options / Special options***

The special terms used here are exactly the terms used by manufacturer of respective chip. Please read the documentation to the chip you want to program for explanation of all used terms.

### ***Device / Blank check***

This command allows to blank check of all devices or its part if possible. The control program reports a result of this action by a write of a warning message to INFO window.

The menu command **Device / Device options / Operation options** allows to set another working area as the standard.

### ***Device / Read***

This command allows reading all devices or its part into the buffer. The control program reports a finish of this action by write a message to INFO window.

The menu command **Device / Device options / Operation options** allows to set another working area as the standard. Setting an option Verify data after reading in this menu command means a higher reliability for device reading.

### ***Device / Verify***

This command compares the programmed data of the all device or its part with data in buffer. The control program reports a result of this action by a write of an error message to INFO window.

The menu command **Device / Device options / Operation options** allows to set another working area as the standard.

By the setting in the menu **Options / Display errors** the command lets to write the found errors on the display or write

---

the found errors to VERIFY.ERR file. In the Display errors mode to the screen can display the program max. 45 the first found differences, which are located by the address where they were caused.

## ***Device / Program***

This command allows to programming of the all device or its part by the data of the buffer. The control program reports a result of this action by a write of an error message to INFO window.

The menu command **Device / Device options / Operation options** allows to set another working area as the standard, and set other operation options for programming process control.

## ***Device / Erase***

This command allows erasing the all programmable device. The program reports the end without error or end with the error by writes the warning report on the display.

## ***Device / Test***

This command executes a test with device selected from list of supported devices (e.g. static RAM) on programmers, which support this test.

## ***Device / IC test***

This command activates a test section for ICs separated by type to any libraries (on distribution CD). First select an appropriate library, wished device and then a mode for test vectors run (LOOP, SINGLE STEP). Control sequence and test results are displayed to LOG WINDOW. In case of need is possible to define the test vectors directly by user. Detailed description syntax and methods of creation testing vectors is described in example\_e.lib file, which is in programs installation folder. Note. Because the rising/falling edges of programmers are tuned for programming of chips, it may happen the test of some chips fails, although the chips aren't defective (counters for example).

## ***Device / JAM/VME/...Player***

**Jam STAPL** was created by Altera® engineers and is supported by a consortium of programmable logic device (PLD) manufacturers, programming equipment makers, and test equipment manufacturers.

The Jam™ Standard Test and Programming Language (STAPL), JEDEC standard JESD-71, is a standard file format



---

for ISP (In-System Programming) purposes. Jam STAPL is a freely licensable open standard. It supports programming or configuration of programmable devices and testing of electronic systems, using the IEEE 1149.1 Joint Test Action Group (JTAG) interface. Device can be programmed or verified, but Jam STAPL does not generally allow other functions such as reading a device.

The Jam STAPL programming solution consists of two components: Jam Composer and Jam Player.

The Jam Composer is a program, generally written by a programmable logic vendor, that generates a Jam file (.jam) containing the user data and programming algorithm required to program a design into a device.

The Jam Player is a program that reads the Jam file and applies vectors for programming and testing of devices in a JTAG chain.

The devices can be programmed in ZIF socket of the programmer or in target system through ISP connector. It is indicated by [PLCC44](Jam) or (ISP-Jam) suffix after name of selected device in control program. Multiple devices are possible to program and test via JTAG chain: JTAG chain (ISP-Jam).

More information on the website:

[http://www.altera.com/support/devices/programming/jam/dev-isp\\_jam.html](http://www.altera.com/support/devices/programming/jam/dev-isp_jam.html)

In-System Programmability Guidelines

<http://www.altera.com/literature/an/an100.pdf>

Using Jam STAPL for ISP & ICR via an Embedded Processor

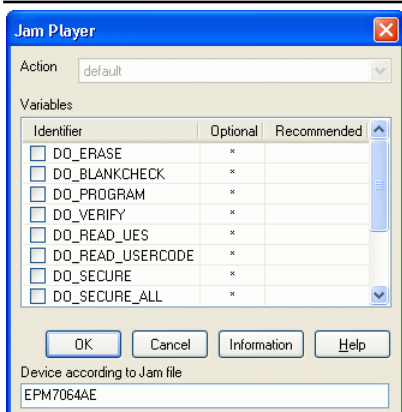
<http://www.altera.com/literature/an/an122.pdf>

**Software tools:**

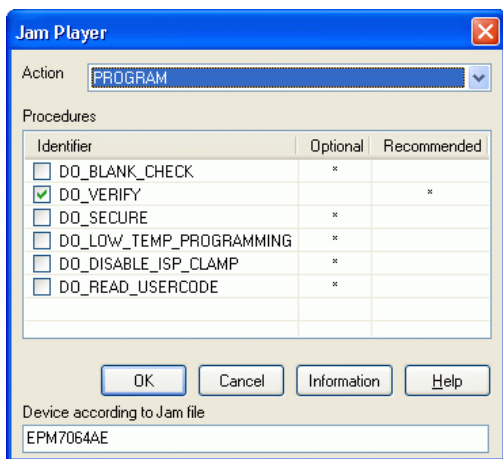
Altera: MAX+plus II, Quartus II, SVF2Jam utility (converts a serial vector file to a Jam file), LAT2Jam utility (converts an ispLSI3256A JEDEC file to a Jam file);

Xilinx: Xilinx ISE Webpack or Foundation software (generates STAPL file or SVF file for use by utility SVF2Jam);

**JAM player dialog**



Jam Player version 1 (see Action and Variables controls)



Jam Player version 2 (see Action and Procedures controls)

### Action

Select desired action for executing.

Jam file of version 2 consists of actions. Action consists of calling of procedures which are executed.

Jam file of version 1 does not know statements 'action' and 'procedure', therefore choice Action is not accessible. Program flow starts to run instructions according to boolean variables with prefix DO\_something. If you need some new boolean variables with prefix DO\_something then contact us.

### Procedures



Program flow executes statements from each procedure. Procedures may be optional and recommended. Recommended procedures are marked implicitly. You can enable or disable procedures according to your needs. Jam Player executes only marked procedures. Other procedures are ignored. Number of procedures is different, it depends on Jam file.

### Variables

Jam file of version 1 does not know statements 'action' and 'procedure'. Program flow starts to run instructions according to boolean variables with prefix DO\_something. Jam Player executes all marked DO\_something cases in algorithm. Number of variables (procedures) is constant, it does not depend on Jam file. If you need some new boolean variables with prefix DO\_something then contact us.

### OK

Accept selected action with appropriate procedures which are marked.

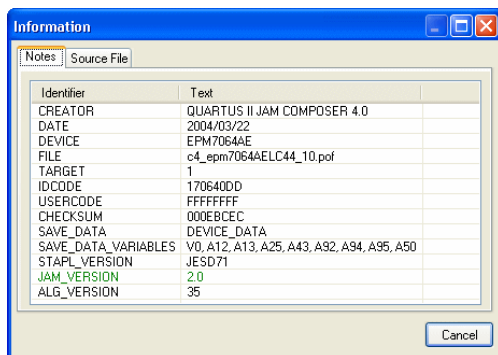
### Information

Displays informations about Jam file. You can preview NOTES and source file in dialog.

### Device according to Jam file

file is made for a specific device. Device name is found in Jam file in part NOTE identifier DEVICE. Device name must be identical with name of the device selected in dialog Select device. When devices are different, software will indicate this situation by warning message during start of the Jam Player.

### JAM file information dialog



---

## Notes

statements are used to store information about the Jam file. The information stored in NOTE fields may include any type of documentation or attributes related to the particular Jam program.

## Source file

contains a program in Jam language. Jam program consists of a sequence of statements. Jam statement consists of a label, which is optional, an instruction, and arguments, and terminates with a semicolon (;). Arguments may be literal constants, variables, or expressions resulting in the desired data type (i.e., Boolean or integer). Each statement usually occupies one line of the Jam program, but this is not required. Line breaks are not significant to the Jam language syntax, except for terminating comments. An apostrophe character (') can be used to signify a comment, which is ignored by the interpreter. The language does not specify any limits for line length, statement length, or program size. More informations can be found on the website: [http://www.altera.com/support/devices/programming/jam/dev-isp\\_jam.html](http://www.altera.com/support/devices/programming/jam/dev-isp_jam.html).

Jam file with extension .jbc is Jam STAPL Byte code format which is not visible.

## Converting JED file to Jam STAPL file for XILINX devices:

1. install Xilinx Integrated Software Environment (ISE) 6.3i software free download: WebPACK\_63\_fcfull\_i.exe + 6\_3\_02i\_pc.exe (315MB or so)
2. run Xilinx ISE 6/Accessories/iMPACT
  - in dialog "Operation Mod Selection: What do you want to do first?" choose: "Prepare Configuration Files",
  - in dialog "Prepare Configuration Files: I want create a:" choose: "Boundary-Scan File",
  - in dialog "Prepare Boundary-Scan File: I want create a:" choose: "STAPL File",
  - in dialog "Create a New STAPL File" write name of Jam file with extension .stapl,
  - in dialog "Add Device" select JED file with extension .jed,
  - in the created jtag chain select device e.g.: XC2C32A (left mouse button) and select sequence operation (e.g.: Erase, Blank, Program, Verify; right mouse button),
  - in menu select item "Output/Stapl file/Stop writing to Stapl file"



3. run PG4UW, select device e.g.: Xilinx XC2x32A [QFG32](Jam), load Jam file (Files of type: select STAPL File)
4. choose "Device operation option Alt+O" press button "Jam configuration". Warning "Select device from menu "Select Devices" and Jam file is probably different! Continue?" choose Yes. (Xilinx sw. does not include line: NOTE "DEVICE" "XC2x32A"; in Jam file). In dialog "Jam player" select action and procedures, finish dialogs, press button "Play Jam" from toolbar and read Log window

**The ispVM Virtual Machine** is a Virtual Machine that has been optimized specifically for programming devices which are compatible with the IEEE 1149.1 Standard for Boundary Scan Test. The ispVM EMBEDDED tool combines the power of Lattice's ispVM Virtual Machine™ with the industry-standard Serial Vector Format (SVF) language for Boundary Scan programming and test.

The ispVM System software generates VME files supporting both ispJTAG and non-Lattice JTAG files which are compliant to the IEEE 1149.1 standard and support SVF or IEEE 1532 formats. The VME file is a hex coded file that takes the chain information from the ispVM System window. The devices can be programmed in ZIF socket of the programmer or in target system through ISP connector. It is indicated by [PLCC44](VME) or (ISP-VME) suffix after name of selected device in control program. Multiple devices are possible to program and test via JTAG chain: JTAG chain (ISP-VME).

More information on the website:

<http://www.latticesemi.com/products/devtools/software/ispvme/mbed/index.cfm>

In-System Programmability Guidelines

[http://www.latticesemi.com/products/technology/isp\\_usage.cfm](http://www.latticesemi.com/products/technology/isp_usage.cfm)

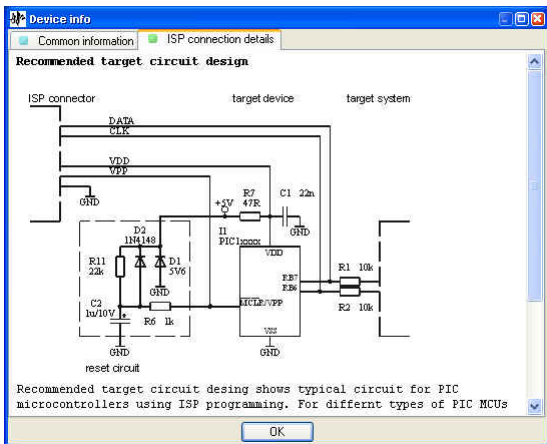
**Software tools:**

Lattice: ispLEVER, ispVM System ISP Programming Software, PAC-Designer Software, svf2vme utility (converts a serial vector file to a VME file)

## ***Device / Device info***

The command provides additional information about the current device - size of device, organization, programming algorithm and a list of programmers (including auxiliary modules) that supported this device. You can find here package information part number description and full information for ISP implementation. For example: description of ISP connector pins for currently selected chip, recommended target design around in-circuit programmed chip.





The reserved key <Ctrl+F1> will bring out this menu from any menu and any time immediately.

## Programmer

Menu Programmer includes commands used for work with programmers.

### Programmer / Find programmer

Selects a new type of programmer and communication parameters. This command contains following items:

**Programmer** - sets a new type of programmer for find. If a Search all is selected, the control program finds all supported programmers.

**Establish communication** - allows manual or automatic establishing communication for a new programmer.

**Speed** - sets speed, if a manual establishing communication is selected, which PC sends data into the programmer. Speed is expressed as a percent from a maximal speed.

The communication speed modification is important for PCs with "slow" LPT ports, which haven't sufficient driving power for a PC<->programmer cable (laptop, notebook, ...). Use this command, if you have any communication problems with connected programmer on the LPT port of your PC (e.g. control program reports a programmer absence, the communication with the programmer is unreliable, etc.).

If automatic establishing communication is selected, then control program sets a maximal communication speed.



---

**Note:** *Items Establish communication and Speed are available only for 848.*

**Port** - selects a LPT port, which will be scanned for a requested programmer. If All port is selected, the control program scans all LPT ports, which are available on standard addresses.

**Address for special port** - sets address of LPT port, if a Special port is selected.

Pressing key **<Enter>** or button **OK** initiates scanning for programmer by set parameters. There is same activity as at start the control program. The command clears a list of default devices without the current device, if the new selected programmer supports this one.

This setting is saved to disk by command **Options / Save options**.

## ***Programmer / Refind programmer***

This menu command is used to refind (reestablish communication with) currently selected programmer.

To select other type of programmer, programmer communication parameters and to establish communication with newly selected programmer use menu **Programmer / Find programmer**.

## ***Programmer / Handler***

In dialog **Handler** a Handler type and Handler communication parameters can be set. Handler is an external device for special control of device operations in control program. When None Handler is selected, this means default state of control program, i.e. device operations are controlled directly by user otherwise control program is in special mode, when device operations are controlled automatically with co-operation with Handler.

Dialog **Handler** contains following items:

**Selected Handler**    select wished Handler type.  
**Search at port**        select a COM port, which will be scanned for a requested Handler.

Pressing key **<Enter>** or button **OK** initiates scanning for Handler by set parameters. If selected Handler type is **None**, no Handler scanning will be processed. Current Handler settings are saved to configuration file by command **Options / Save options** or when control program is closed.

---

Handler is not available for sale.

## ***Programmer / Module options***

This option is used for multiple socket programmers for defining MASTER socket and activity of each socket. **MASTER socket** group box allows user to set socket which is preferentially used for device reading operation. **Enable/Disable socket** checkbox array allows user to set enabling and disabling of each socket individually. Disabled sockets are ignored for any device operation.

## ***Programmer / Automatic YES!***

This command is used for setting **Automatic YES!** mode. In this mode you just put a device into ZIF socket and a last operation will be repeated automatically. Program automatically detects an insertion of a new device and runs last executed operation without pressing any key or button. An insertion of device into ZIF is displayed on the screen. Repeated operation executing will be cancelled by pressing key **<ESC>** during waiting for insert/remove a device to/from ZIF.

After an operation with a device is executed, one of the OK or ERROR (status) LEDs on the programmer will lights in dependence on the result of an operation and the BUSY LED will blinking.

If the program detects removal of a device, then status LED will switched off, but the BUSY LED will still blinking to indicate readiness of the program to repeat last operation with new device.

After the program indicates one or more pins of (new) device in the ZIF socket of the programmer, the BUSY LED will goes to light continually. From this the program will wait a requested time for insert the rest pins of new device. If a requested time (Device insertion complete time) overflows and a device is not correctly inserted, the program will light the ERROR LED to indicate this state. After new device was inserted correctly, the program will switch off all status LEDs, except BUSY, and will start an operation with new device.

This mode may be enabled or disabled by item **Automatic YES!** mode. If a new programmer is selected **Options / Find programmer**, this mode will be disabled.

In **Response time** is possible to set a time interval within must being detected device in ZIF socket to accept an insertion of a new device. Default is set standard interval. If socket adapter is used then is recommended to set an elongated interval.



---

In **Pins with capacitors** bar may be entered a list of a pins interconnected by capacitors (for example: if a converter, which have connected capacitor between VCC and GND, is used), which may makes problems at detecting insertion of a new device.

List of pins of device is in form:

pinA, pinB, pinC....

**Example:** 4,6,17

In **Device removal hold off time** is possible to set a time within the program will not insertion of new device into the programmer's ZIF socket after a (old) device was removed successfully. This interval is in seconds and must be from 1 to 120 (default value is 2 seconds).

In **Device insertion complete time** is possible to set a time within all pins of the device have to be properly inserted after a first pin(s) detected so that the program will not detects incorrectly inserted device. This interval is in seconds and must be from 1 to 120 (default value is 5 seconds).

This list is erased if a new device is selected by **Device / Select default** or **Device / Select device ...**

This setting is saved to disk by command **Options / Save options**.

## ***Programmer / Selftest***

Command executes a selftest of current programmer without diagnostic POD. We recommend execute also **Programmer / Selftest plus** of programmer.

## ***Programmer / Selftest plus***

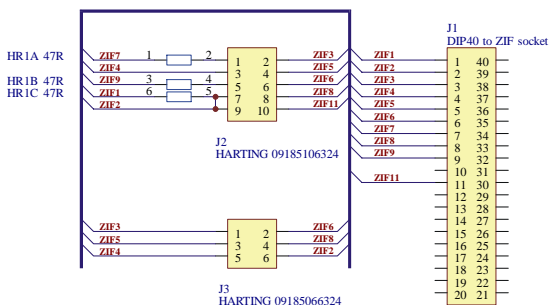
Command executes a selftest of current programmer using diagnostic POD, which is included in standard delivery of programmer. We recommend run this test every 6 months.

## ***Programmer / Self test ISP connector***

Command executes a selftest of ISP connector of current programmer using diagnostic POD for ISP connectors.

Diagnostic POD for ISP connectors is necessary to use for testing 6 and 10-pin ISP connectors of programmers. Diagnostic POD for ISP available as optional accessory for ISP-capable programmers. The order number: 70-0208

Schematic of Diagnostic POD for ISP connector (if you are in hurry):



### Sequence for testing 6 pins ISP connector:

1. Insert Diagnostic POD for ISP connectors into ZIF socket of the programmer. Diagnostic POD must be inserted as 40 pins device.
2. Interconnect 6 pins connector of Diagnostic POD with an ISP connector of the programmer with an ISP cable, included in programmer delivery package. Be sure that pins are interconnected properly (i.e. 1-1, 2-2, ..., 6-6).
3. Run selftest of ISP connector in PG4UW (**Programmer / Selftest ISP connector**).

### Sequence for testing 10 pins ISP connector:

1. Insert Diagnostic POD for ISP connectors into ZIF socket of the programmer. Diagnostic POD must be inserted as 40 pins device.
2. Interconnect 10 pins connector of Diagnostic POD with an ISP connector of the programmer with an ISP cable, included in delivery programmer package. Be sure that pins are interconnected properly (i.e. 1-1, 2-2, ..., 10-10).
3. Run selftest of ISP connector in PG4UW (**Programmer / Selftest ISP connector**).

We recommend run this test every 6 months.

## **Programmer / Calibration test**

Command executes test of programmer's calibration values.

## **Programmer / Create diagnostic report**

Command Create Diagnostic report is used for writing more particular diagnostic information to **Log window** and consequently copy **Log window** content to clipboard. The Log window content can be placed from clipboard to any text editor. Diagnostic report is useful when error occurs in control program or programmer and kind of the error is, that user can not resolve it oneself and he must contact programmer manufacturer. In this case when customer send message to



manufacturer about his problem it is good to send also diagnostic report. Diagnostic report can help manufacturer to localize the reason of error and resolve it sooner.

## Options

The Options menu contains commands that let you view and change various default settings.

### Options / General options

General options dialog allows user to control following options of program.

#### File options

File options page allows you to set file masks, auto-reload of current file and choose file format recognizing for loaded files.

**File format masks** is used for setting file-name masks to use as a filter for file listing in **File / Save** and **File / Load file** window for all file formats. Mask must contain one of wildcards (\*, ?) at least and must be applied correctly by syntax.

**Project file default extension** is used for setting project files-extension used as default extension in **File / Load project** and **File / Save project** dialogs.

In group **When current file is modified by another process** can be set mode of reloading of actually loaded (current) file. There are three choices:

1. Prompt before reloading file
2. Reload automatically
3. Ignore change scanning of current file

There are three situations when file modification is tested:

- a. switching to the control program from another application
- b. selecting the device operation Verify or Program
- c. when repeat of last device operation is selected in dialog "Repeat?"

**Load file format** allows setting mode of file format recognition for loading files. When automatic file format is selected, program analyses format of loading file and test file for each of supported formats that are available in program. If file format matches one of supported formats, the file is read to buffer in detected format.

Manual file format allows user to select explicitly wished file format from list of supported file formats. File may be loaded no completely or incorrectly, if file format does not match to user selected format.

---

## Hex file options

This page contains several options for loading control by any of HEX formats.

The first option sets **erasing** buffer (with desired value) automatically before the loading by any of HEX formats.

The second option sets a **negative offset**, which is used for data addresses modification by loading from any HEX file so, that data can be written to existing buffer addresses. Manual or Automatic negative offset mode can be set. We recommend automatic set of negative offset in special cases only. This option contain a heuristic analyze, which can treat some data in file incorrectly. There are especially critical files, which contain a fragmented addresses range and which exceeds a size of selected device - some block can be ignored. Automatic set of negative offset can be disabled by select of any special devices. No address range in files associated with special devices can be moved and no block can be removed from the file when reading the file. For special devices following negative offset options are available: Yes (negative offset is turned on) and No (negative offset is not used).

### Example:

A file contents data by Motorola S - format. A data block started at address FFFF0H. It is a S2 format with length of address array of 3 bytes. For all data reading you can set a value of negative offset to FFFF0H. It means, that the offset will be subtracted from current real addresses and so data will be written from buffer address 0.

**Warning:** *The value of negative offset is subtracted from real address and therefore a result of subtraction can be negative number. Because take care of correct setting of this value.*

## Language

This page allows you to select another language for user interface such as menu, buttons, dialogs, information and messages. It also allows selecting wished help file in another language. For another language support of user interface the language definition file is required.

## Sound

Sound page allows user to select the sound mode of program. Program generates sounds after some activities, e.g. activities on device (programming, verifying, reading, etc.). Program generates sound also when warning or error message is displayed. User can now select sound from Windows system sound (required installed sound card), PC speaker or none sound.

In the panel **Programmer internal speaker sound settings** is possible to set sound options for some programmers with built-in internal speaker. Sound beeps are then generated from



internal programmer's speaker after each device operation for indicating device operation result – good or bad result.

### **Log file**

This options associates with using of **Log window**. All reports for Log window can be written into the Log file too. The Log file name is "Report.rep" as default. The control program creates this file with name and directory specified in Log file name edit box.

Following Log file options are available:

- **No** default, content of Log window is not copied to Log file, i.e. all reports will be displayed to Log window only
- **New** deletes old Log file and creates new one during each start of control program
- **Append** adds Log window reports into existing Log file, If file does not exist, the new file will be created

The Log file settings can be saved to disk by command **Options / Save options**.

### **Display errors**

This option allows setting a form of error displaying as a result of programmed data verifying. Errors can be displayed to the screen (max. 45 differences), saved to error file of differences on the disk or it will not be displayed. In case the displaying errors are turned off, the control program reports a warning message in INFO window only. The default error file name is "Verify.err". The file name and directory can be user specified in edit box Error file name.

Following Display errors settings are available:

- **None** does not display error values on screen nor to the file
- **Screen** default, displays errors to Log window
- **File** writes error reports to error file

The Display errors settings can be saved to disk by command **Options / Save options**.

### **Save options**

Page allows you to select the program options saving when exiting program. Three options are available here:

- **Don't save** don't save options during quitting program and don't ask for saving options
- **Auto save** save options during quitting program without asking for saving options



- 
- **Prompt for save** program asks user for saving options before quitting program. User can select to save or not to save options

## **Other**

Page **Other** allows user to manage other program settings.

Panel **Application priority** allows user to set the priority of the program. Priority settings can affect performance of programmer (device programming time), especially if there are running more demanding applications in the system. Please note that setting application priority level to Low can significantly slow down the program.

In the panel **Tool buttons**, hint display options on toolbar buttons in main program window can be modified. In the panel **Start-up directory** can be selected mode of selecting directory when program starts. **Default start-up directory** means directory, from which program is called. **Directory in which program was lastly ended** means the last current directory when program was lastly ended. This directory assumes the first directory from directory history list.

## **Options / View**

Use the View menu commands to display or hide different elements of program environment such as toolbars.

Following toolbars are available now:

### **Options / View / Main toolbar**

Choose this command to show or hide the Main toolbar.

### **Options / View / Additional toolbar**

Choose this command to show or hide the Additional toolbar.

### **Options / View / Device options before device operation**

Choose this command to enable/disable display of Device options before device operation is confirmed.

## **Options / Protected mode**

Protected mode is special mode of program. When program is in Protected mode, there are disabled program operation and commands which can modify buffer or device settings. Protected mode is used for prevent operator from modify buffer or device settings due to insignificance. Protected mode is suitable for the programming of a large amount of the same type of devices.

There are two ways how to switch program to Protected mode:

1. by using menu command **Options / Protected mode**. This command displays password dialog. User has to enter password twice to confirm the password is correct.



---

After password confirmation program switches to Protected mode. The entered password is then used to switch off Protected mode.

2. by reading project, which was previously saved in Protected mode. For details see **File / Save project**.

To switch program from Protected mode to normal mode use the menu command **Options / Normal mode**. The "Password required" dialog appears. User has to enter the same password as the password entered during switch to Protected mode.

Other way to cancel Protected mode of program is closing of program, because program Protected mode is active until program is closed. The next program start will be to Normal (standard) mode (the only exception is case of project loaded by command line parameter name of project and the project was saved in Protected mode).

## **Options / Save options**

This command saves all settings that are currently supported for saving, even if auto-save is turned off. Following options are saved: options under the Options menu, ten last selected devices, file history, main program window position and size.

## **Help**

Pressing the <F1> key accesses the Help. When you selecting menu item and press <F1>, you access context-sensitive help. If PG4UW is executing an operation with the programmer <F1> generates no response.

The following Help items are highlighted:

- words describing the keys referred to by the current Help
- all other significant words
- current cross-references; click on this cross-reference to obtain further information.

*Since the Help system is continuously updated together with the control program, it may contain information not included in this manual.*

Detailed information on individual menu commands can be found in the integrated on-line Help.

**Note:** *Information provided in this manual is intended to be accurate at the moment of release, but we continuously*

---

improve all our products. Please consult manual on [www.bkprecision.com](http://www.bkprecision.com).

## **Help / Supported devices**

This command displays list of all devices supported by at least one type of all supported programmers. It is useful especially when user wants to find any device supported by at least one type of programmers.

Prefix "g\_" before name of device means the device is supported by multi-socket programmer.

## **Help / Supported programmers**

This command displays information about programmers, where supported this program.

## **Help / Device list (current programmer)**

This command makes a list of all devices supported by current programmer and saves its to **?????DEV.txt** text file and **?????DEV.htm** HTML file in the directory where control program is run from. Marks **?????** are replaced by abbreviated name of current programmer, the device list is generated for.

## **Help / Device list (all programmers)**

This command makes device lists for all programmers and saves them to **?????DEV.TXT** text files and **?????DEV.HTM** HTML files in the directory where control program is running from. Characters **?????** are replaced by abbreviated name of programmers, the device lists are generated for.

**Note:** *The control program loses all information about current device after this command is executed. Reselect wished device again by any of select methods in menu **DEVICE**.*

## **Help / Device list (cross reference)**

This command makes cross reference list of all devices supported by all programmers available on market and supported by this control program. The resulting list is in HTML format and consists of following files:

- one main HTML file **TOP\_DEV.htm** with supported device manufacturers listed
- partial HTML files with list of supported devices for each device manufacturer

Main HTML file is placed to directory where this control program for programmers is located.



---

Partial HTML files are placed to subdirectory **DEV\_HTML** placed to the directory where control program for programmers is located.

## ***About***

When you choose the Info command from the menu, a window appears, showing copyright and version information.

---

## *Common notes*

---



## Software

PG4UW is common control program for these B+K PRECISION programmers. Thus, during work with him it's possible to find some items; those refer not to current selected programmer.

Some special devices (e.g. Philips Coolrunner family) require external DAT files, that aren't present in standard PG4UW SW delivery on CD. If you need to program these devices, look at [www.bkprecision.com](http://www.bkprecision.com).

You can start control program with different **command line parameters**.

Basic rules for using of executive command line parameters:

1. command line parameters are not case sensitive
2. command line parameters can be used when first starting of program or when program is already running
3. if program is already running, then any of command line operation is processed only when program was not busy (no operation was currently executing in program). Program must be in basic state, i.e. main program window focused, no modal dialogs displayed, no menu commands opened or executed.
4. order of processing command line parameters when using more parameters together is defined firmly as following:
  1. Load file (/Loadfile:...)
  2. Load project (/Prj:...)
  3. EPROM/Flash select by ID
  4. Program device (/Program[:switch])
  5. Close of control program (/Close only together with parameter /Program)

### Available command line parameters:

/Axxx check programmer present on LPT port with address xxx only  
example: /A3bc

/SPP force PC <-> programmer communication in unidirectional mode

### Available executive command line parameters:

/Prj:<file\_name> forces project load when program is starting or even if program is already running, <file\_name> means full or relative project file path and name

/Loadfile:<file\_name> forces file load when program is starting or even if program is already

---

running, <file\_name> means full or relative path to file that has to be loaded, file format is detected automatically

/Program[:switch] forces start of "Program device" operation automatically when program is starting, or even if program is already running, also one of following optional switches can be used:

switch 'noquest' forces start of device programming without question

switch 'noanyquest' forces start of device programming without question and after operation on device is completed, program doesn't show "Repeat" operation dialog and goes directly into main program window

Examples:

1. /Program
2. /Program:noquest
3. /Program:noanyquest

/Close this parameter has sense together with /Program parameter only, and makes program to close automatically after device programming is finished (no matter if operation was successful or no)

/Eprom\_Flash\_Autoselect[:xx] forces automatic select EPROM or FLASH by ID when program is starting or even if program is already running. xx means pins number of device in ZIF (this time are valid 28 or 32 pins only) and it is required just for older programmers without insertion test capability. The value is ignored for others programmers.

## ***Hardware***

Due a large variety of parallel port types, a case may occur when the programmer cannot "get concerted" with the PC. This problem may be shown as none communication between the PC and the programmer, or by unreliable communication. If this behavior occurs, try to connect your programmer to some other PCs or other parallel ports near you.

If you find none solution, please document the situation, i.e., provide us an accurate description of your PC configuration, including some other circumstances bearing on the problem in



question, and advise the manufacturer of your problem. Don't forget please enter of PC type, manufacturer, speed, operation system, resident programs; your parallel port I/O manufacturer and type. Use please **Device problem report** form for this purpose (see **Appendix A**).

## ISP (*In-System Programming*)

### Definition

**In-system programming** allows programming and reprogramming of device positioned inside the end system. Using a simple interface, the ISP programmer communicates serially with the device, reprogramming nonvolatile memories on the chip. In-system programming eliminates the physical removal of chips from the system. This will save time, and money, both during development in the lab, and when updating the software or parameters in the field.

**Target device** is the device (Microcontroller, PLD, etc...), which is to be in-system programmed.

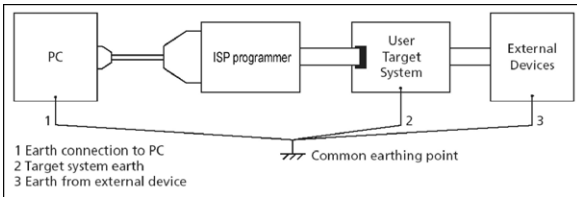
**Target system** is the physical Printed Circuit Board (PCB) which contains the device to be in-system programmed.

**ISP programmer** is programmer, which has in-system programming capability (for example 865 with ISP module, 866, 844USB, 844A, 849...).

### General rules for in-system programming

We recommended respect following rules to avoid damage PC, ISP programmer, and target device or target system:

- Ensure common earth point for target system, ISP programmer and PC.
- For laptop or other PC which is not connected to common earth point: make hard - wired connection from laptop to common earth point (for example use LPT or COM port D – connector).
- Any devices connected to target system must be connected to common earth point too.





---

## **Direction of connect B+K PRECISION ISP programmer to target system:**

During in-system programming you connect two electrical devices – ISP programmer and target system. Unqualified connection can damage these devices.

**Note:** *When you don't keep below directions and you damage programmer during in-system programming, it is damage of programmer by unqualified manipulation and is out of warranty.*

1. Turn off both devices – ISP programmer and target device.
2. Assign same GND potential for all devices, e.g. connect GND of all devices by wire.
3. Insert one connector of ISP cable to ISP programmer, turn on programmer and control program.
4. In control program select target device and operation options.
5. Start action on target device (read, program).
6. After direction of control program, connect other ISP cable connector to target system and turn on it.
7. After direction of control program, disconnect other ISP cable connector from target system and turn off it.
8. If you need another action on target device, you continue with step 5.

### **The recommendation for design of target system with ISP programmed device**

The target system must be designed to allow all signals, which are use for In-system programming to be directly connected to ISP programmer via ISP connector. If target system use these signals for other function, is necessary isolated these signals. Target system mustn't affect these signals during In-system programming.

For in-system programmable devices manufacturers publish applications notes. Design of B+K PRECISION programmers together with respect of these application notes allows proper In-system programming. Condition is exactly respect these application notes Allocations notes, which B+K PRECISION use in ISP programmers are published on [www.bkprecision.com](http://www.bkprecision.com).

Please, read some notes for following recommended circuits.

- *Purpose of D1 diode is to protect the target circuit against a higher voltage, which is provided by ISP programmer.*
- *If your target board supply differs from mentioned 5V, choose please the Zener diode (D1) voltage according to this supply voltage.*
- *We recommend using resistors R1, R2, (R3) to separate the target device from target system. If pins needed for ISP*

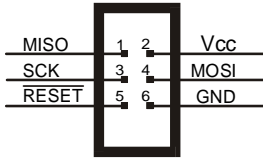


programming are inputs in target system then separation by resistors is sufficient and resistors make a low pass filter too. If pins are outputs, then use of resistors saves a programming time. Of course the isolation resistors R1, R2, (R3) can be replaced by switches or jumpers, if necessary. In that case, during the ISP programming of target device the switches (jumpers) must be open. But the using of switches (jumpers) adds a next manipulation time to programming procedure.

### Example of application note

#### Microcontrollers Atmel AVR and AT89Sxxx series

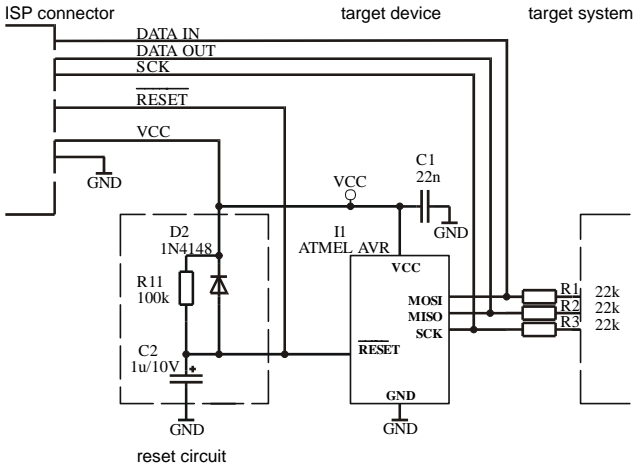
This application note is used in 849. This interface corresponds with Atmel application note AVR910: In-System Programming. This application note describes the recommended ISP interface connector layout in target system (top view).



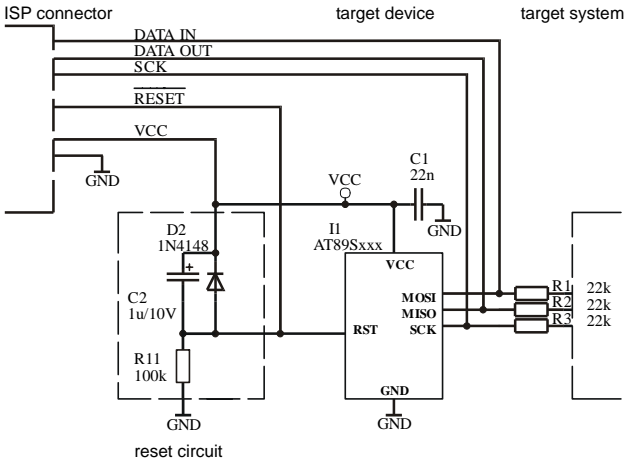
### Description of required pins for in-system programming by AVR910.

Pin	Name	Comment
SCK	Serial Clock	Programming clock, generated by the In-System programmer (master).
MOSI	Master Out – Slave In	Communication line from In-System programmer (master) to target MCU being programmed (slave).
MISO	Master In – Slave Out	Communication line from target MCU (slave) to In-System programmer (master).
GND	Common Ground	The two systems must share the same common ground.
RESET	Target MCU Reset	To enable In-System programming, the target MCU Reset must be kept active. To simplify this, the In-System programmer should control the target MCU Reset
Vcc	Target Power	To allow simple programming of targets operating at any voltage, the In-System programmer can draw power from the target. Alternatively, the target can have power supplied through the In-System programming connector for the duration of the programming cycle

B+K PRECISION's recommended circuit for ATMEL AVR:



B+K PRECISION's recommended circuit for AT89Sxxx:





### PICmicro<sup>®</sup> microcontrollers

This interface corresponds with Microchip application notes TB013, TB017, TB016: How to Implement ICSP™ Using PIC16CXXX OTP (PIC12C5XX OTP)(PIC16F8X Flash) MCUs. These application notes describes requirement for target system with In-system programming device and ISP programmer.

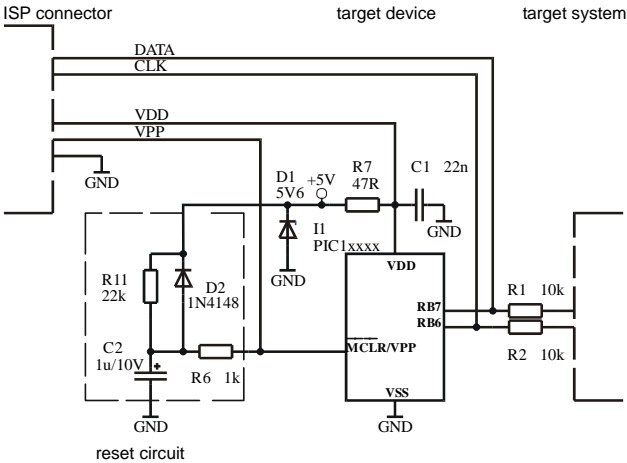
Following signals are use for In-system programming of PICmicro<sup>®</sup> microcontrollers.

MCLR\ / VPP	reset / switch to programming mode
RB6 (GP1)	clock
RB7 (GP0)	data input / output
VDD	power supply
GND	ground

When PICmicro<sup>®</sup> device is programmed, pin MCLR\ / VPP is driven to approximately 12 V. Therefore, the target system must be isolated from this voltage provided by programmer. RB6 and RB7 signals are used by the PICmicro<sup>®</sup> for In-system programming, therefore target system mustn't affect these signals during In-system programming to avoid programming errors.

Marginal verify is used after programming. Programmer must verify the program memory contents at both minimal and maximal power supply, therefore VDD pin of PICmicro<sup>®</sup> must be isolated from rest of target system during programming.

B+K PRECISION's recommended circuit:



**Note:** External reset circuit is necessary only if VDD power-up slope is too slow.

### Philips P87LPC76x microcontrollers

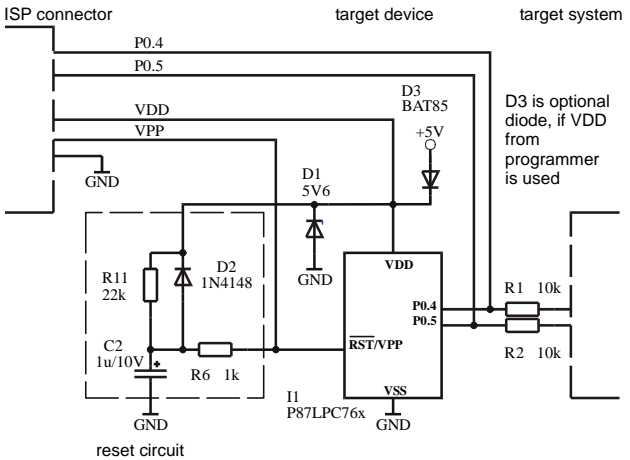
This interface corresponds with Philips application note AN466: In-system programming of the P87LPC76x family microcontrollers. This application note describes requirement for target system with In-system programming device and ISP programmer.

Following signals are use for In-system programming of P87LPC76x microcontrollers.

RST\ / VPP	reset / switch to programming mode
P0.5	clock
P0.4	data input / output
VDD	power supply
VSS	ground

When P87LPC76x device is programmed, pin RST\ / VPP is driven to approximately 10.75V. Therefore, the target system must be isolated from this voltage provided by programmer. P0.4 and P0.5 signals are used by the P87LPC76x for In-system programming, therefore target system mustn't affect these signals during In-system programming to avoid programming errors.

B+K PRECISION's recommended circuit for P87LPC76x:





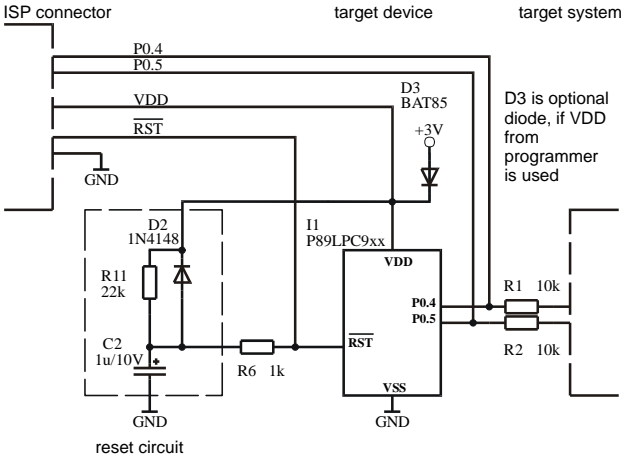
### Philips P89LPC9xx microcontrollers

Following signals are use for In-system programming of P87LPC76x microcontrollers.

RST	reset / switch to programming mode
P0.5	clock
P0.4	data input / output
VDD	power supply
VSS	ground

P0.4 and P0.5 signals are used by the P89LPC9xxx for In-system programming, therefore target system mustn't affect these signals during In-system programming to avoid programming errors.

B+K PRECISION's recommended circuit for P89LPC9xx:



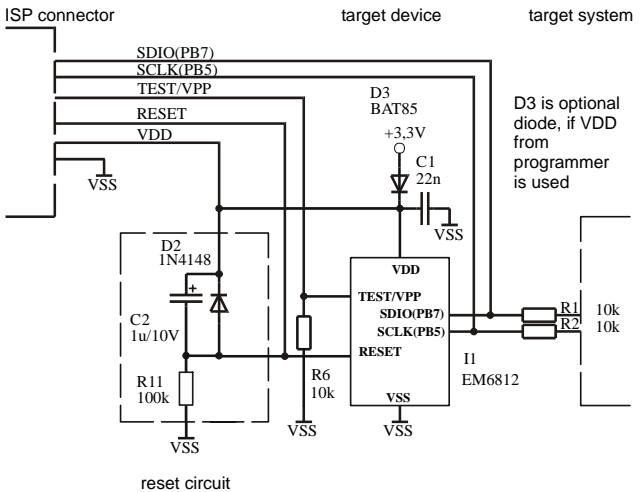
### EM Microelectronic EM6812 microcontrollers

Following signals are use for In-system programming of EM6812 microcontrollers.

RESET	reset
TEST/VPP	switch to programming mode
SCLK(PB5)	clock
SDIO(PB7)	data input / output
VDD	power supply
VSS	ground

SDIO(PB7) and SCLK(PB5) signals are used by the EM6812 for In-system programming, therefore target system mustn't affect these signals during In-system programming to avoid programming errors.

B+K PRECISION's recommended circuit for EM6812:





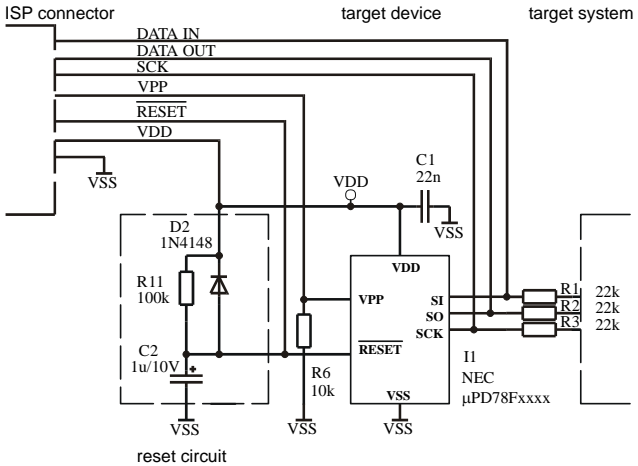
### NEC uPD78Fxxxx microcontrollers

This interface corresponds with NEC User's manual of selected target device. This User's manual describes requirements for target system with In-system programming device and ISP programmer. Following signal are used for In-system programming of uPD78Fxxxx microcontrollers.

RESET	reset device
VPP	switch device to programming mode
SI	serial data input
SO	serial data output
SCK	serial data clock
VDD	power supply
VSS	ground

When device is programmed, pin VPP is driven to approximately 10V. SI, SO, SCK pins are used by device for In-system programming, therefore target system mustn't affect these signals during In-system programming to avoid programming error. As well, RESET pin should be isolated (or not affected) during programming the device.

B+K PRECISION's recommended circuit for uPD78Fxxxx:





---

## Other

Attention to multitasking OS's (Windows 95/98/Me/NT/2000/XP). There is needful for regular running of control program for these B+K PRECISION programmer that printer port, on which is programmer connected, must be reserved for this programmer only. Otherwise, any other program must not simultaneously to use (or any way to modify) this printer port.

PG4UW SW can handle all modes of LPT port (full IEEE 1284 support), thus you don't need to configure LPT port for connection of B+K PRECISION programmers.

Please don't move **Info** window during BUSY LED is on - watching circuit can be activate to switch the programmer in safe status as in case communication PC-programmer error.

### **LPT port driver**

For programmers connected through parallel LPT port, control program requires correctly installed LPT port driver. LPT port driver installation and uninstallation is made automatically by installation program. Normally there are no problems with the driver. But sometimes driver can not be initialized correctly. It is especially in the case that no LPT1 port is present in the Windows NT/2000/XP operating systems. When the LPT port driver is not initialized, control program can not detect any LPT ports in the system.

LPT driver requires port LPT1 to be present in the operating system. Please check the parallel port LPT1 is present in the system.

The short description, how to see LPT ports present in operating system:

1. click to "Start" menu
2. click with right mouse button to "My computer" item and select menu "Properties"
3. in the "System properties" dialog select "Hardware" page and click to "Device manager" button
4. in the "Device manager" dialog select "Ports (Com & LPT)" (double click), it will show the list of all present LPT and COM ports

There should be displayed at least one present LPT port.

If there are present one or more LPT ports but with numbers other than LPT1, it is necessary to change one of the LPT



---

ports to LPT1 port. Follow the steps bellow (continued from steps 1. - 4.)

5. double click to selected LPT port to show properties of the port
6. in the "LPT port properties" dialog select the page "Port settings"
7. change number of LPT port to LPT1 by "LPT Port Number" setting
8. click OK button
9. restart the operating system

(even if system does not require restart, it is necessary to perform system restart to correctly initialize our LPT port driver)

That's all. Our software should work properly with LPT connected programmer.

When using programmer connected through USB, there is no need of LPT port driver.

## **USB driver**

For programmers connected through USB port, control program requires correctly installed USB driver.

We recommend installing control program first and then connecting programmer to USB port. Windows will detect new hardware as USB programmer automatically.

When the programmer is connected to USB port before control program was installed, Windows will detect new hardware and ask user to select driver installation method: automatically or manually. To detect programmer correctly, control program installation CD must be inserted to computer's CD-ROM drive and following steps have to be done:

(driver installation steps bellow are used for Windows XP but other Windows versions have similar steps)

### **STEP 1**

The first time a new USB device is plugged into a Windows XP system, a dialog box will appear indicating that the system has found a new hardware device. There may also be a dialog box that informs the user that a device data base is being built or updated.

After these dialogs appear, the Found New Hardware Wizard dialog box is displayed. Select "Install from a list or specific location (Advanced)" and click "Next" to continue the installation.

---

**STEP 2**

Make sure that "Search for the best driver..." is selected. Select "Search removable media" and deselect "Include this location in the search". Click "Next".

**STEP 2A**

During the install, a dialog will pop up stating, "The software you are installing for this hardware...has not passed Windows Logo testing..." Click "Continue Anyway."

**STEP 3**

The "Completing the Found New Hardware Wizard" will appear once the programmer has been installed. Click "Finish" to end the USB installation.



---

## ***Troubleshooting and warranty***

---

---

## Troubleshooting

We really want you to enjoy our product. Nevertheless, problems can occur. In such cases please follow the instructions below.

- It might be your mistake in properly operating the programmer or its control program PG4UW.
  - Please read carefully all the enclosed documentation again. Probably you will find the needed answer right away.
  - Try to install programmer and PG4UW on another computer. If your system works normally on the other computer you might have a problem with the first one PC. Compare differences between both computers.
  - Ask your in-house guru (every office has one!).
  - Ask the person who already installed programmer.
- If the problem persists, please call the local dealer, from whom you purchased the programmer, or call B+K PRECISION direct. Most problems can be solved by phone, e-mail or fax. If you want to contact us by:
  - **Mail/fax** - Copy the "**DEVICE PROBLEM REPORT**" form and fill it in following the instructions at the end of the form. Write everything down that you consider being relevant about the programmer, software and the target device. Send the completed form by mail or fax to B+K PRECISION (fax number in the control program, menu **Help / About**) or to your local dealer. If you send the form by fax please use black ink, a good pen and large letters!
  - **E-mail** - Use "**DEVICE PROBLEM REPORT**" form on the CD or from our Internet site and fill it in following the instructions at the end of the form. Use standard ASCII editor. Write everything down that you consider being relevant about the programmer, software and the target device. Send the completed form by e-mail to your local dealer or to B+K PRECISION ( [tech@bkprecision.com](mailto:tech@bkprecision.com) ).
  - **Phone** - Copy "**DEVICE PROBLEM REPORT**" form and fill it in following the instructions at the end of the form. Write everything down that you consider being relevant about the programmer, software and the target device. Send the completed form by mail or fax to B+K PRECISION (fax number in the control program, menu **Help / About**) or to your local dealer. If you send the form by fax please use black ink, a good pen and large letters easily to read. Then call your local dealer or B+K Precision's customer support center (phone number in the control program, menu **Help / About**). Please keep your manual, the programmer and the completed "**DEVICE PROBLEM REPORT**" form (just



faxed) available, so that you can respond quickly to our questions.

- If your programmer is diagnosed as defective, consult your local dealer or B+K PRECISION about the pertinent repair center in your country. Please carefully include the following items in the package:
  - defective product
  - completed "**DEVICE PROBLEM REPORT**" form
  - photocopy of a dated proof of purchase

***Without all these items we cannot admit your programmer to repair.***

**Note:**

You may find the "**DEVICE PROBLEM REPORT**" form:

- in **Appendix A** of this manual
- on our Internet site [www.bkprecision.com](http://www.bkprecision.com) .

## ***If you have an unsupported target device***

If you need to operate on a target device not supported by the control program for programmer, please do not despair and follow the next steps:

- Look in the device list of the latest version of the control program on our Internet site ([www.bkprecision.com](http://www.bkprecision.com) ). Your new target device might already be included in this version! If yes, download the file PG4UWARC.exe and install the new version of the control program.
- Contact B+K PRECISION direct, filling up a "**Device Problem Report**" form following the instructions at the end of this form. We may need detailed data sheets of your target device and, if possible, samples. The samples will be returned to you after we include your target device in a new version of PG4UW.

**Note:**

See also AlgOR service in Appendix C in this manual.

You may find the "**Device Problem Report**" form:

- in **Appendix A** of this manual
- on our Internet site [www.bkprecision.com](http://www.bkprecision.com) .

---

## ***Warranty terms***

The manufacturer, B+K Precision gives a warranty on failure-free operating of the programmer and all its parts, materials and workmanship for one-year from the date of purchase. This warranty is limited to 25,000-cycles on DIL ZIF socket or 10,000-cycles on PLCC ZIF sockets).

### Limited One-Year Warranty

B&K Precision Corp. warrants to the original purchaser that its product and the component parts thereof, will be free from defects in workmanship and materials for a period of one year from the data of purchase.

B&K Precision Corp. will, without charge, repair or replace, at its' option, defective product or component parts. Returned product must be accompanied by proof of the purchase date in the form a sales receipt.

To obtain warranty coverage in the U.S.A., this product must be registered by completing and mailing the enclosed warranty card to B&K Precision Corp., 22820 Savi Ranch Parkway – Yorba Linda, CA 92887 within fifteen (15) days from proof of purchase.

Exclusions: This warranty does not apply in the event of misuse or abuse of the product or as a result of unauthorized alternations or repairs. It is void if the serial number is alternated, defaced or removed.

B&K Precision Corp. shall not be liable for any consequential damages, including without limitation damages resulting from loss of use. Some states do not allow limitation of incidental or consequential damages, so the above limitation or exclusion may not apply to you.

This warranty gives you specific rights and you may have other rights, which vary from state-to-state.



---

## Service Information

**Warranty Service:** Please return the product in the original packaging with proof of purchase to the below address. Clearly state in writing the performance problem and return any leads, connectors and accessories that you are using with the device.

**Non-Warranty Service:** Return the product in the original packaging to the below address. Clearly state in writing the performance problem and return any leads, connectors and accessories that you are using with the device. Customers not on open account must include payment in the form of a money order or credit card. For the most current repair charges contact the factory before shipping the product.

Return all merchandise to B&K Precision Corp. with pre-paid shipping. The flat-rate repair charge includes return shipping to locations in North America. For overnight shipments and non-North America shipping fees contact B&K Precision Corp..

B&K Precision Corp.  
22820 Savi Ranch Parkway  
Yorba Linda, CA 92887-4604  
Phone: 714- 237-9220  
Facsimile: 714-237-9214  
Email: [service@bkprecision.com](mailto:service@bkprecision.com)

Include with the instrument your complete return shipping address, contact name, phone number and description of problem.



---

# *Appendix*

---



# Appendix A - Device Problem Report form

Please make a copy of this page and either fax it to 714-237-9214 or e-mail it to [tech@bkprecision.com](mailto:tech@bkprecision.com).

## DEVICE PROBLEM REPORT

Subject(title of problem): \_\_\_\_\_ Date: \_\_\_\_\_

### Customer

Customer, name: \_\_\_\_\_ Distributor, name: \_\_\_\_\_  
Address: \_\_\_\_\_ Date of purchasing: \_\_\_\_\_  
Contact person and e-mail: \_\_\_\_\_ Date of sending registration card: \_\_\_\_\_

### Information about product.

Programmer (type/modification): \_\_\_\_\_ Mains supply voltage: \_\_\_\_\_ V  
Serial number: \_\_\_\_\_ Version of control program PG4UW: \_\_\_\_\_  
Configuration (modules, converters): \_\_\_\_\_  
Power supply unit: From delivery \_\_\_\_\_ Other (output V and A): \_\_\_\_\_

### Information about PC, to which is the programmer is attached.

Manufacturer/Type: \_\_\_\_\_ Desktop Notebook  
Processor, speed: \_\_\_\_\_ LPT port location: motherboard ISA card PCI card  
Operating system and version: \_\_\_\_\_ LPT port type: standard ECP/EPP 1284  
Memory/free memory: \_\_\_\_\_ LPT port setting: SPP BIDIR EPP ECP

### Information about device with which you have the problem.

Device type (full name, prefix/suffix including): \_\_\_\_\_ Package type: plastic ceramic ceramic/windowed  
Vendor/logo: \_\_\_\_\_ All designation on the top \_\_\_\_\_  
Package (DIL40, PLCC44, SOIC20, ...): \_\_\_\_\_ and on the bottom side of device \_\_\_\_\_

Precedence rating: in \_\_\_ days in \_\_\_ weeks in \_\_\_ months  
How often you work with this devices: still Y/N sometimes Y/N one-shot Y/N  
Number of programmed device: approx. \_\_\_ pcs per year.  
Samples are available? Yes (I'm sending it/attached) Yes No

### Further questions.

- Did you have installed latest version of control program? Yes No
- Did you know thoroughly the features and correct behavior of programmer and programmed device? Yes No
- Is the socket of programmer or adapter free from dust and isn't out of life? Yes No
- Is the device with problem new or used? New Used
- Is the error reported for all of the tested devices? Yes No I have only one device
- Is the error reported for devices with other date code? Yes No I have only one batch
- During which procedure is an error reported? Read Program ID\_check Insertion test
- Is the programmer successful in case of other types of devices? Yes No
- Does the error occur always or randomly? Always Randomly
- Does programmer work well with other PCs? Yes No Not tested
- What is the results of programmer selftest (if available)? OK Error

Please list the step-by-step description of all activities that invokes a problem. Please make your problem description as specific as possible - you can increase speed and chance to resolve a problem. Please mention any step that is known to cause the problem or any step that may prevent the problem. Please copy all error reports too - full content of LOG window is preferable. Your comments and descriptions of expectations are welcomed. It's best, if you can send us the actual device with which the problem occurs. Use a separate sheet if necessary.

---

---

---

---

---

### Note:

- if you haven't installed the latest version of control program, you can get it from [www.bkprecision.com](http://www.bkprecision.com). It is very important to have latest version of software, because:
  - a) it is possible the problem you have is already solved by software update
  - b) we don't save older version of software. If ask you to "please perform next steps ...", your version of software may not behave in the same way as the latest one as used by us.

---

## **Why is it important to use the latest version of the control program?**

- Semiconductor manufacturers continuously introduce new devices with new package types, manufactured by new technologies in order to support the need for flexibility, quality and speed in product design and manufacturing. To keep pace and to keep you up-to-date, we usually implement more than 500 new devices into the control program within a year.
- Furthermore, a typical programmable device undergoes several changes during its lifetime in an effort to maintain or to improve its technical characteristics and process yields. These changes often impact with the programming algorithms, which need to be upgraded (the programming algorithm is a set of instructions that tells the programmer how to program data into a particular target device). Using the newest algorithms in the programming process is the key to obtaining high quality results. In many cases, while the older algorithm will still program the device, they may not provide the level of data retention that would be possible with an optimal algorithm. Failure to not use the most current algorithm can decrease your programming yields (more improper programmed target devices), and may often increase programming times, or even affect the long term reliability of the programmed device.
- At least, we are making mistakes too ... .

*Our commitment is to implement support for these new or modified parts before or as soon as possible after their release, so that you can be sure that you are using latest and/or optimal programming algorithms that were created for this new device.*

## **Appendix C - AlgOR service**

### **(Algorithms On Request)**

AlgOR is a free service, by which we respond, as flexible as possible on the customer's request to implement programming support for new devices. This service may be used also for requesting new features of the control program.

AlgOR process is simple. The user sends to B+K PRECISION a request for additional support for XXX device to the control program (we may ask for up-to-date data sheets and samples, if needed). After completion, the user will obtain a new version of the control program with requested features. We will, of course, also return the borrowed samples. If we cannot satisfy your requirements (too expensive, algorithms not available, additionally module needed), we will promptly contact to you and propose an appropriate solution.



**Note:**

- Please use "AlgOR (Algorithms On Request)" form and send it direct to B+K PRECISION.
- AlgOR service is **free** of charge. Therefore we do not accept any claims regarding this service. B+K Precision reserves the right to set the dispatching priority on the particular tasks according to its own judgment.

Use this form please, if you request to add unsupported device into control program or you request to add/change some feature of control program. Fill-out this form completely and send it by e-mail, fax or snail-mail directly to B+K PRECISION. Incomplete form mean lowest level of interest from customer's side. Due absence of sample may be works on the support delayed or stopped.

Please make a copy of this page to A4. This form can also be found on the enclosed CD disk and on our Internet site.

## AlgOR (Algorithms On Request) form

Subject (title of problem): \_\_\_\_\_

Date: \_\_\_\_\_

Customer, name: \_\_\_\_\_

Address: \_\_\_\_\_

Contact person and E-mail: \_\_\_\_\_

Distributor, name: \_\_\_\_\_

Date of purchasing: \_\_\_\_\_

Date of sending registration card: \_\_\_\_\_

Programmer (type/modification): \_\_\_\_\_

Serial number: \_\_\_\_\_

Control program and version: \_\_\_\_\_

### Information about device, you want to be supported

Device type (full name): \_\_\_\_\_

Vendor/logo: \_\_\_\_\_

Package (DIL40, PLCC44,...): \_\_\_\_\_

Precedence rating: in \_\_ days in \_\_ weeks in \_\_ months

Device to be programmed: still Y/N sometimes Y/N one-shot Y/N

Number of programmed device: approx. \_\_ pcs per year.

Samples are available? Yes Yes (I'm sending it/attached) No

### Notes to request. Description of requested change in control program.

Enter please feature you want to the program will have.

\_\_\_\_\_  
\_\_\_\_\_  
\_\_\_\_\_  
\_\_\_\_\_

### Notes.

- look please at latest list of supported devices before you send this request to us.
- in case of sending samples, attach please to package next declaration for customs: "Free sample(s), not for commercial sale.

Value for customs purposes only: \$10US"