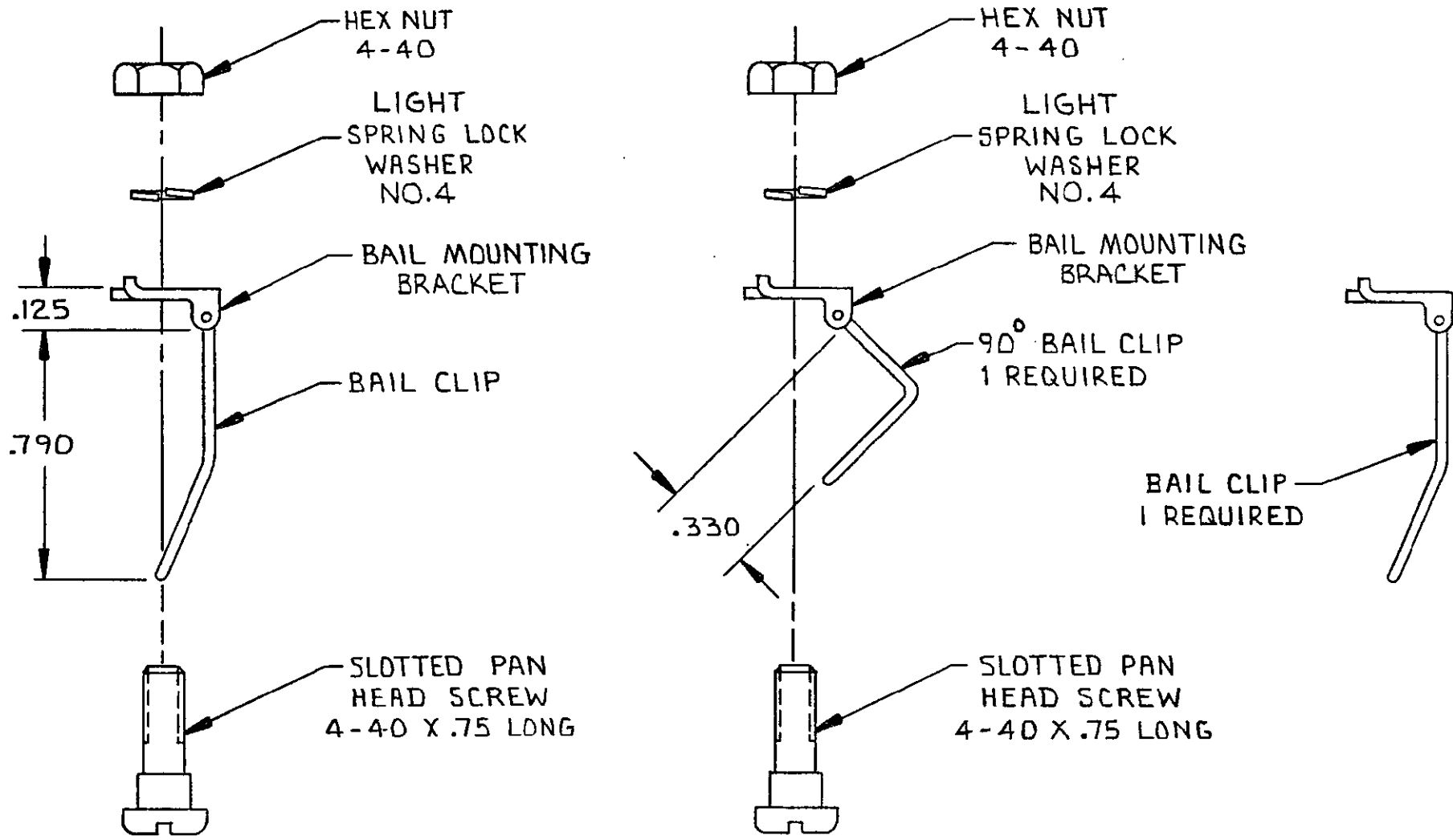


THIS DRAWING IS UNPUBLISHED. RELEASED FOR PUBLICATION, 1975  
 © COPYRIGHT 1975 BY AMP INCORPORATED, HARRISBURG, PA. ALL INTERNATIONAL RIGHTS RESERVED. AMP PRODUCTS MAY BE COVERED BY U.S. AND FOREIGN PATENTS AND/OR PATENTS PENDING.

LOC AA DIST 20

REVISIONS						
P	F	ZONE	LTR	DESCRIPTION	DATE	APPROVED
			E	REV; EC 0502-0229-97	22 APR 97	DS RF



1. ALL DIMENSIONS SHOWN ARE FOR REFERENCE ONLY UNLESS OTHERWISE SPECIFIED
2. TWO (2) REQUIRED OF EACH COMPONENT PER KIT UNLESS OTHERWISE SPECIFIED.

⚠ MATERIAL: LOCKWASHER - PASSIVATED STAINLESS STEEL.  
 BAIL CLIPS, PAN HEAD SCREW & HEX NUT - PASSIVATED STAINLESS STEEL.  
 MOUNTING BRACKETS - ZINC PLATED STEEL.

552562-1

552562-2

UNLESS OTHERWISE SPECIFIED DIMENSIONS ARE IN INCHES. TOLERANCES ON: DECIMALS ± ANGLES ±		CONTRACT NO DR <i>A. Holt 9-8-81</i> CHK <i>Mfril 9-9-81</i>		PART NO	
MATERIAL ⚠	APRD <i>R. Wilkerson 9/7/81</i> APPR <i>K. Strick 9/10/81</i>	AMP   AMP INCORPORATED Harrisburg, Pa.			
FINISH ⚠	DSGN APPD OTHER APPD	NAME KIT, HARDWARE, BAIL LOCK, VERTICAL MOUNTING (CHAMP)			
		SIZE <b>B</b>	FSCM NO <b>00779</b>	DRAWING NO <b>552562</b>	
		SCALE <b>2/1</b>	SHEET <b>1 OF 1</b>		