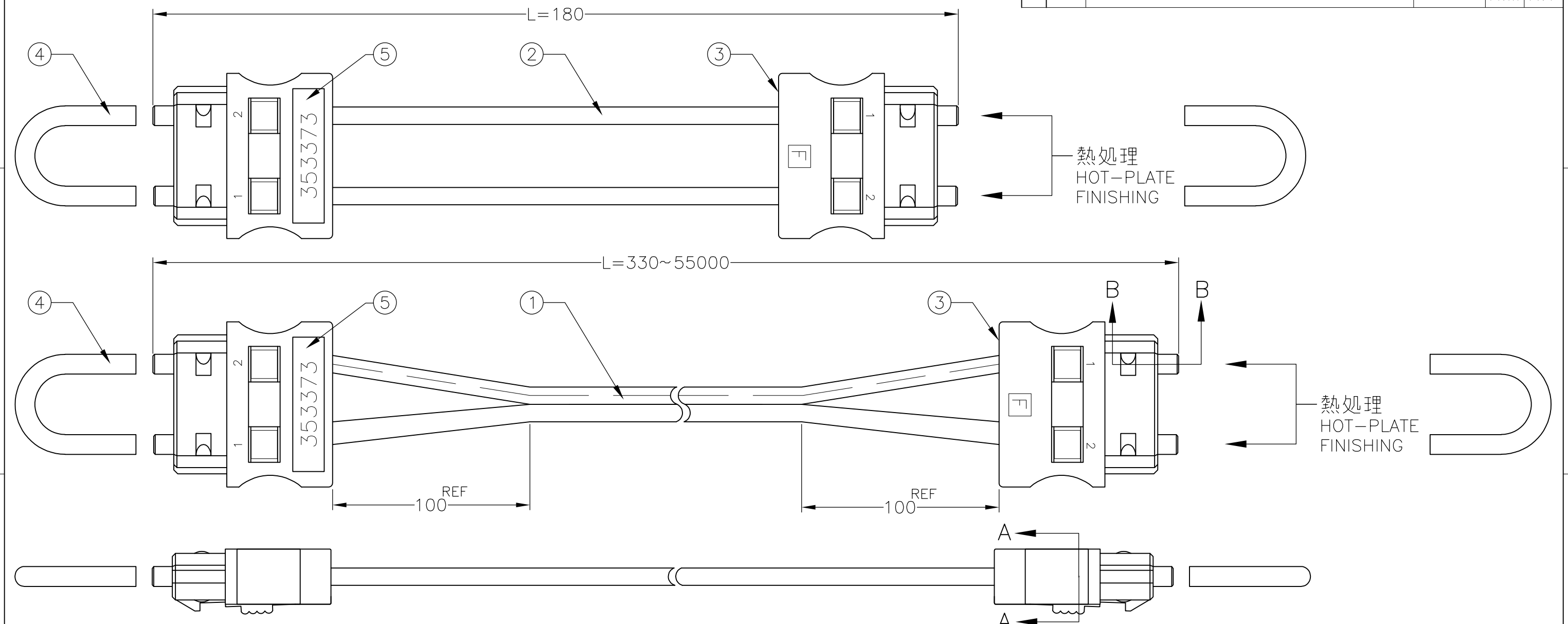
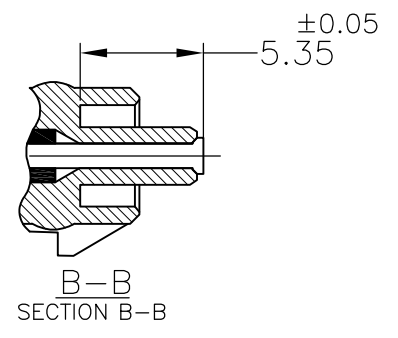
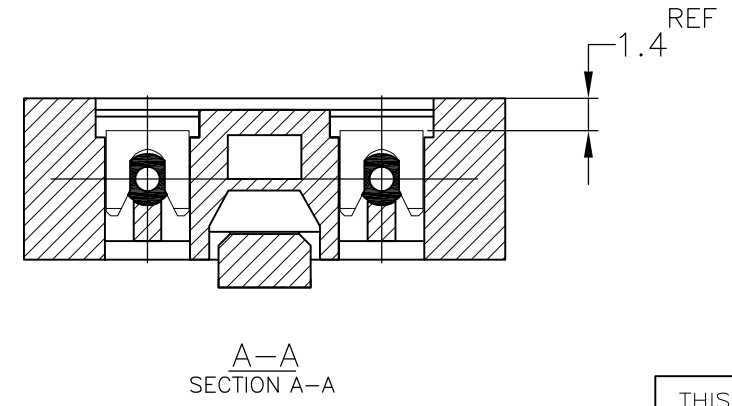


THIS DRAWING IS UNPUBLISHED. RELEASED FOR PUBLICATION
 © COPYRIGHT - Tyco Electronics Japan G.K. ALL RIGHTS RESERVED.

| LOC | DIST | REVISIONS | | | | | |
|-----|------|-----------|-----|-------------|-----------|-----|------|
| J | - | P | LTR | DESCRIPTION | DATE | DWN | APVD |
| | | B | | REVISED | 02FEB2015 | H.M | N.Y |



| "L" LENGTH(mm) | TOLERANCE | CABLE ASSY P/N |
|----------------|-----------|----------------|
| 180 | +20/-10 | 353373-1 |
| 330 | +20/-10 | 353373-2 |
| 500 | +50/-0 | 353373-3 |
| 1000 | +50/-0 | 353373-4 |
| 2000 | +200/-0 | 353373-5 |
| 3000 | +200/-0 | 353373-6 |
| 5000 | +200/-0 | 353373-7 |
| 7000 | +200/-0 | 353373-8 |
| 10000 | +200/-0 | 353373-9 |
| 8000 | +200/-0 | 1-353373-0 |
| 20000 | +400/-0 | 1-353373-1 |
| 25000 | +400/-0 | 1-353373-2 |
| 31000 | +600/-0 | 1-353373-3 |
| 55000 | +1000/-0 | 1-353373-4 |
| 30000 | +600/-0 | 1-353373-5 |
| 11000 | +200/-0 | 1-353373-6 |



| QTY | NAME | COLOR | ITEM NO. |
|-----|----------------------|-------|----------|
| 1 | LABEL | - | 5 |
| 2 | SILICON TUBE | CLEAR | 4 |
| 2 | HOUSING PRE-ASSEMBLY | BLACK | 3 |
| AR | APF CABLE SIMPLEX | BLACK | 2 |
| AR | APF CABLE DUPLEX | BLACK | 1 |

THIS DRAWING IS A CONTROLLED DOCUMENT.

| | | | |
|------------------|-------------|---------|---|
| DWN | N.SUDO | 24NOV98 | TE Connectivity F07A APF PLUG CABLE ASSY |
| CHK | K.TAKAHASHI | 24NOV98 | |
| APVD | K.TAKAHASHI | 24NOV98 | |
| PRODUCT SPEC | NAME | | |
| APPLICATION SPEC | | | RESTRICTED TO |
| WEIGHT | | | SIZE |
| CUSTOMER DRAWING | | | CAGE CODE |
| | | | DRAWING NO |
| | | | RESTRICTED TO |
| | | | SCALE |
| | | | SHEET |
| | | | 1 OF 1 |
| | | | REV |
| | | | B |