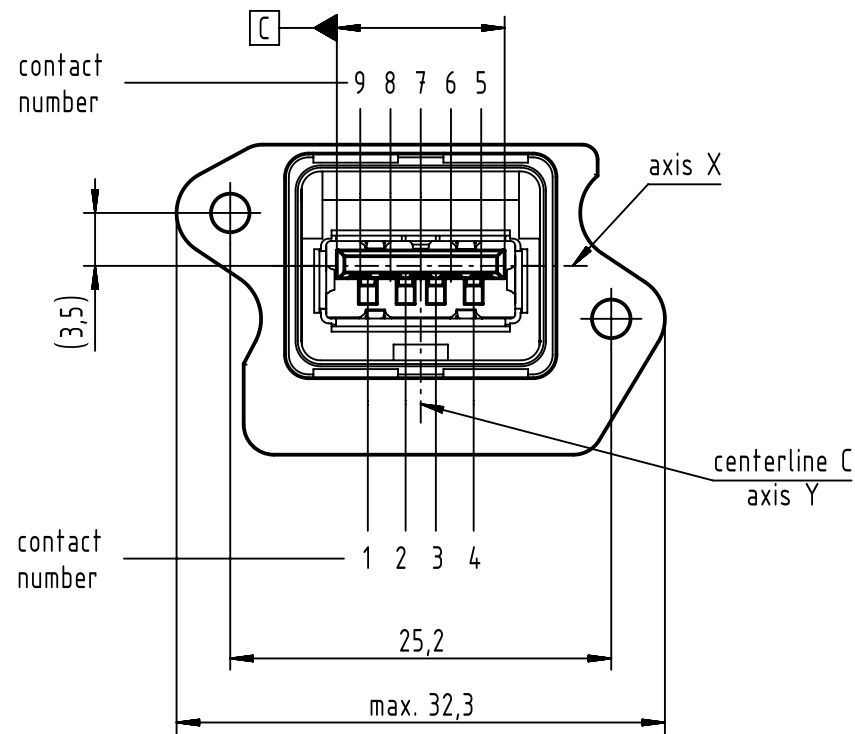
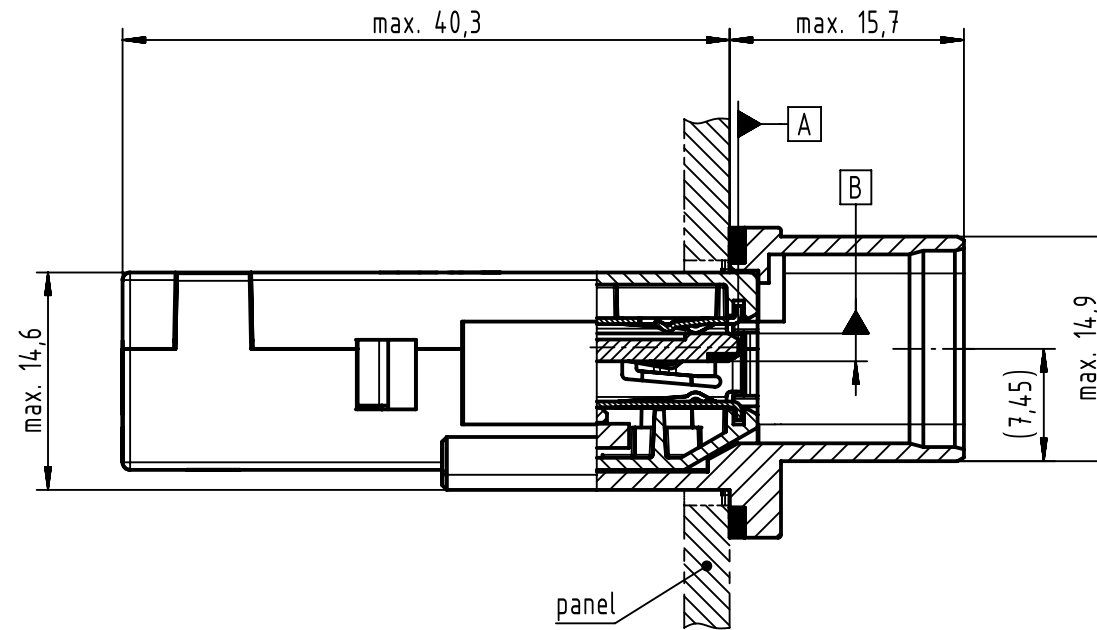


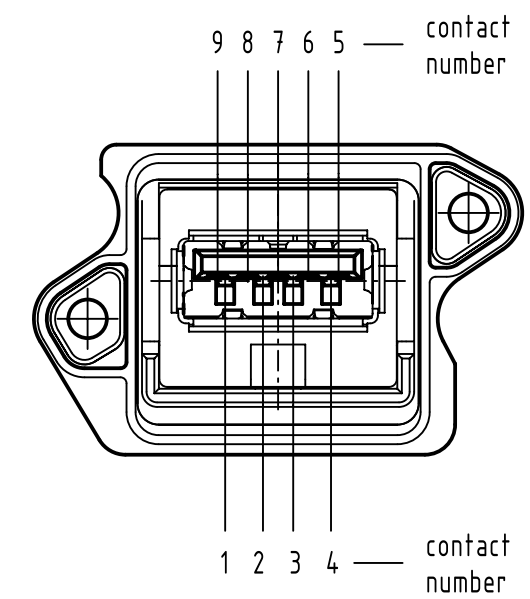
# USB 3.0 type A



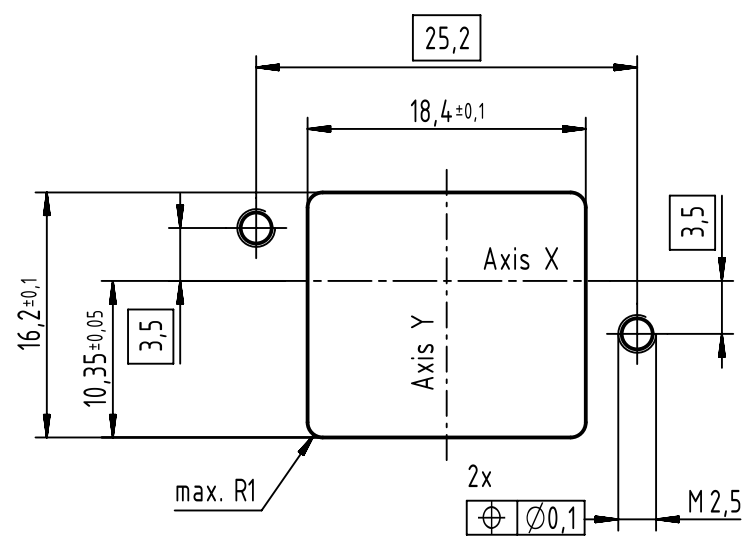
# A-A



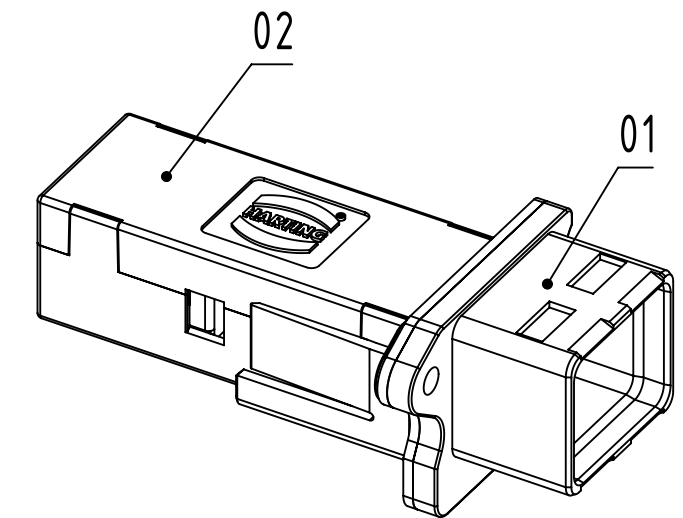
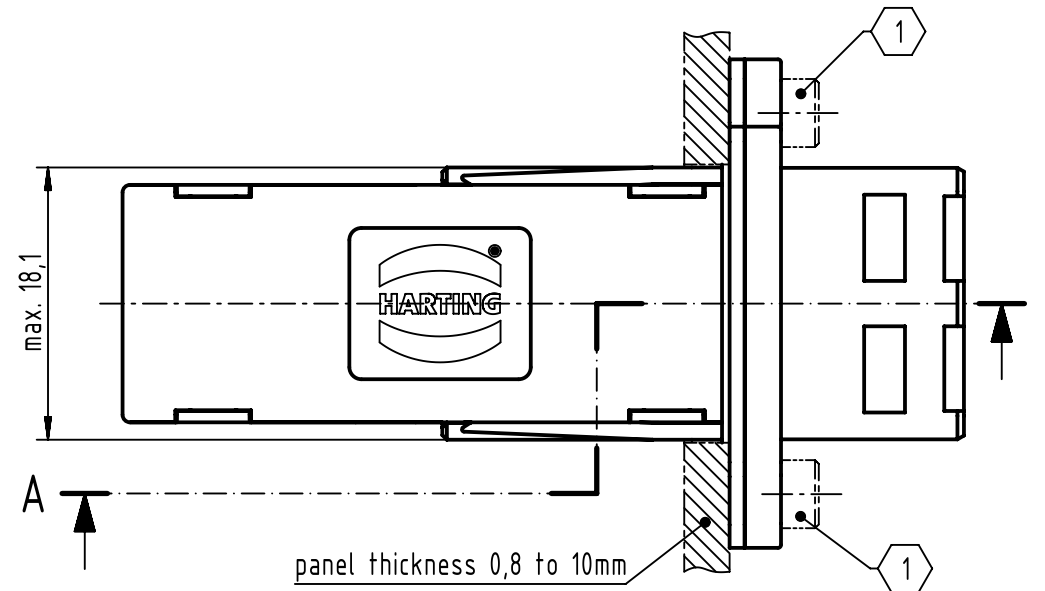
# USB 3.0 type A



# panel cutting



connector pitch on panel:  
axis X = 27mm and axis Y = 21mm



# loading-plan

V Bus	1	1
D-	2	2
D+	3	3
GND	4	4
StdA_SSRX-	5	5
StdA_SSRX+	6	6
GND_DRAIN	7	7
StdA_SSTX-	8	8
StdA_SSTX+	9	9
Shield	Shell	Shell

further information see: DS 09456230202

① screwing 2x M2,5 screws between 0,3 - 0,5Nm, screw acc. to ISO 4762  
order please separately  
references A, B and C acc. to USB specification 3.0, [www.usb.org](http://www.usb.org)

02	1	USB 3.0 HIFF Bulkhead coupler type A-A	09455451902
01	1	HARTING PushPull housing Compact	09455450028
pos.	number	description	part-number
		All Dimensions in mm Original Size DIN A3	Scale 2:1
		Free size tol.	
		Ref. Sub. TB 09 45 245 1904 Mod: 36124 14.02.2012	
		All rights reserved Department EC PD - DE	Created by HASSE
		Inspected by LUETTERMANN	Standardisation HOFFMANN
		Date 2013-06-28	State Final Release
		Title HPP V4 PFT Compact style USB3.0 type A, 2 x jack	
		Type TB	Number 09452451904
		Doc-Key / ECM-Nr. 100220659/UGD/018/A 50000063753	
		Rev. A	Page 1/1