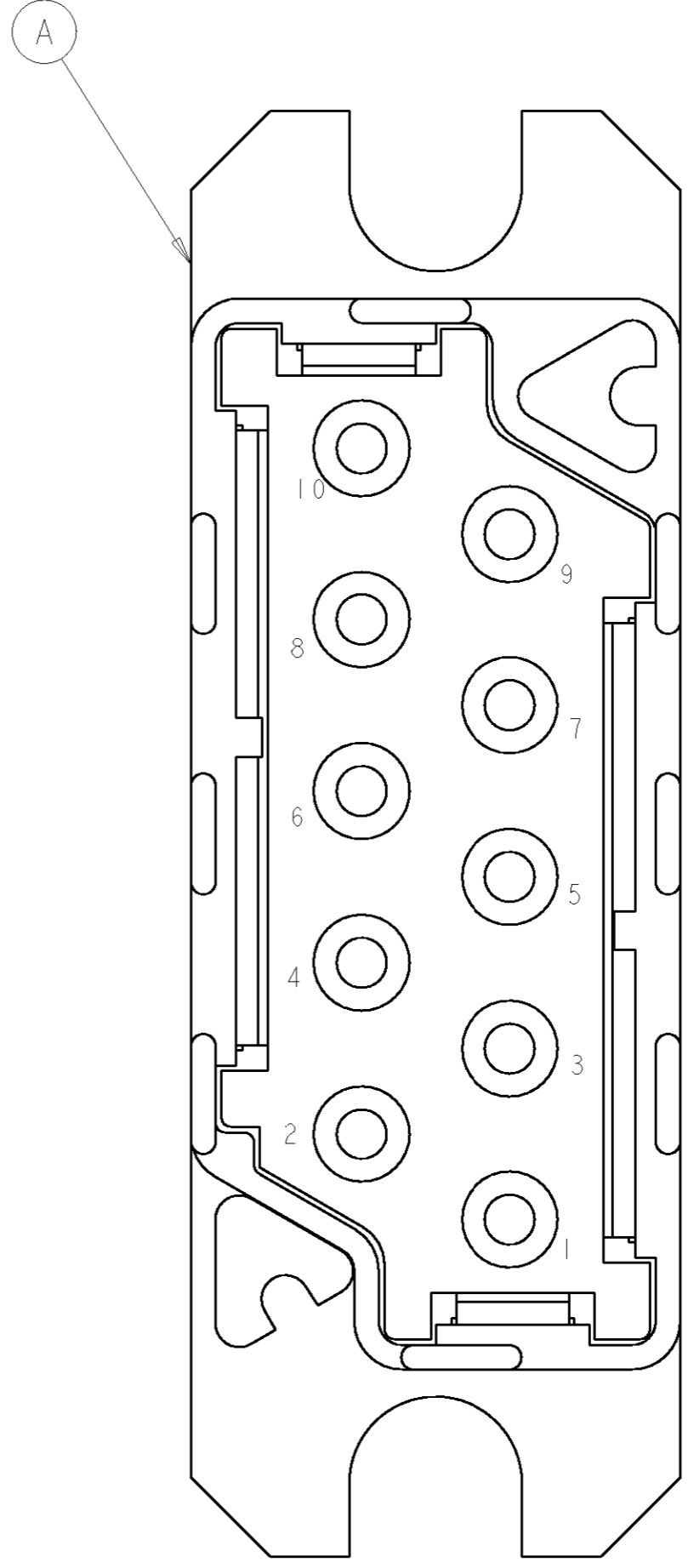
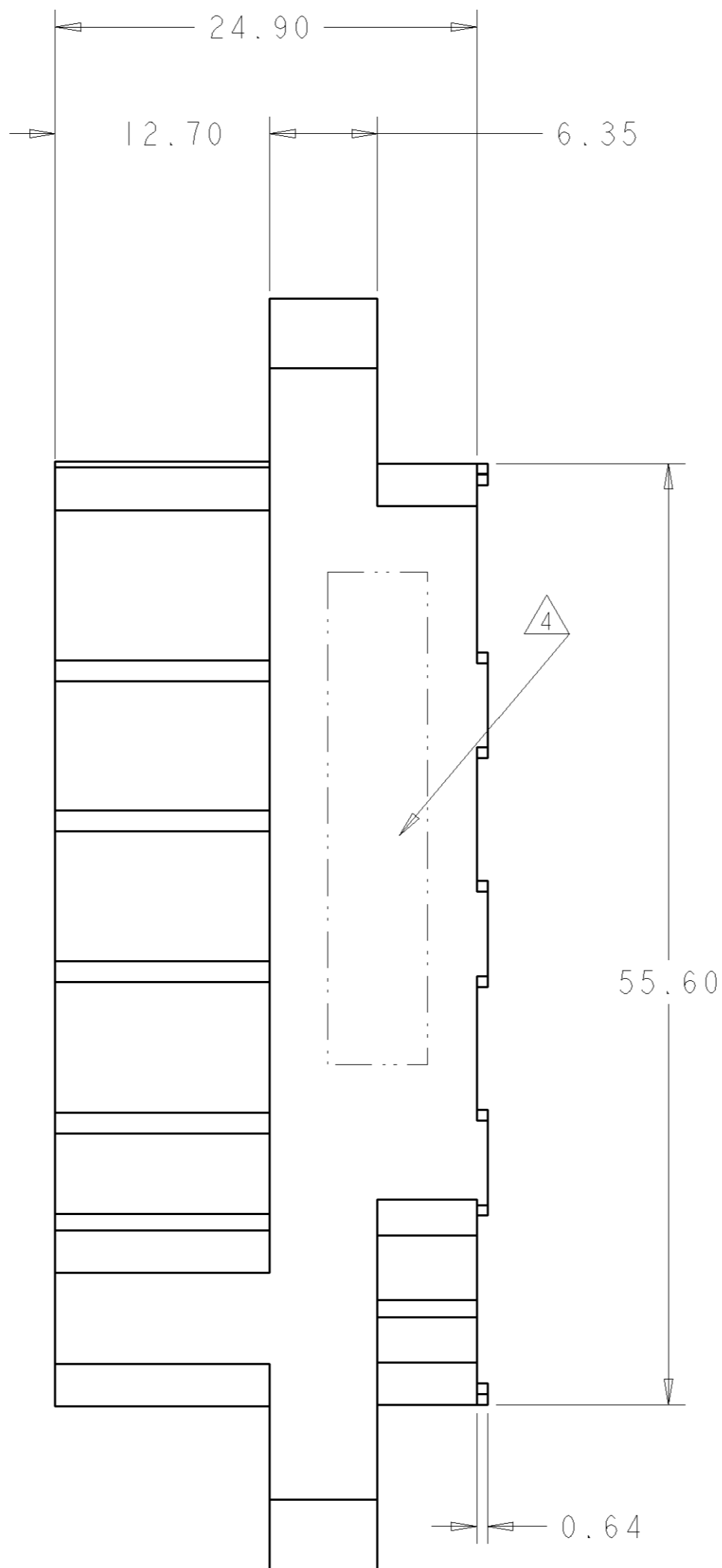
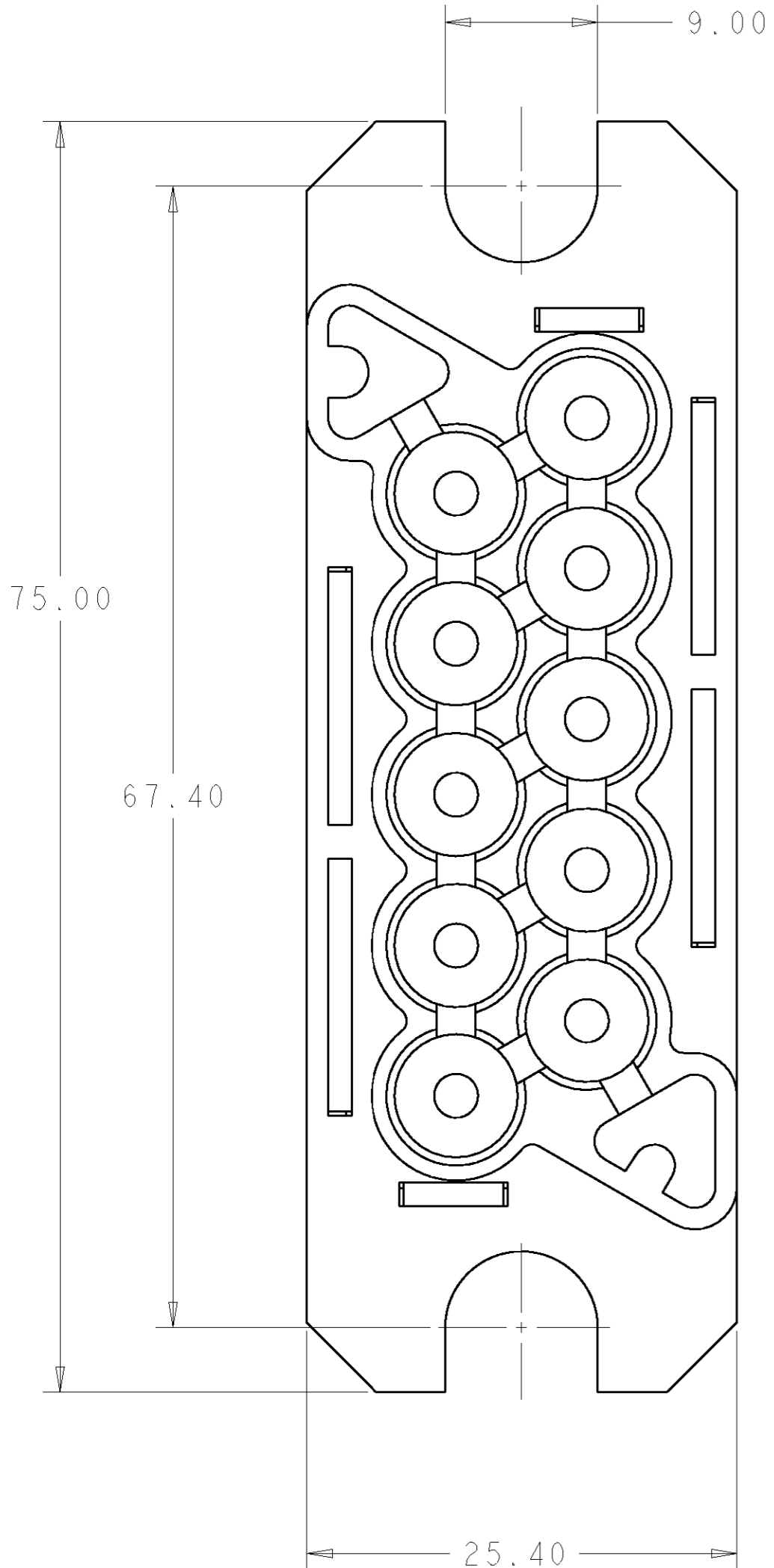


THIS DRAWING IS UNPUBLISHED. RELEASED FOR PUBLICATION 20
 © COPYRIGHT 20 BY TYCO ELECTRONICS CORPORATION. ALL RIGHTS RESERVED.

LOC	DIST	REVISIONS					
GP	00	P	LTR	DESCRIPTION	DATE	DWN	APVD
		A		RELEASED	24JUL2006	RG	SF



PIN CONTACT SIZE #12 (B) OR (C)

ELCON P10S0 DRAWER

AS SHOWN	1926163-1
DESCRIPTION	PART NUMBER

<small>THIS DRAWING IS A CONTROLLED DOCUMENT FOR TYCO ELECTRONICS CORPORATION. IT IS SUBJECT TO CHANGE AND THE CONTROLLING ENGINEERING ORGANIZATION SHOULD BE CONTACTED FOR THE LATEST REVISION.</small>		DWN R. GRZYBOWSKI 19 JUN 2006 CHK S. FLICKINGER 19 JUN 2006 APVD S. FLICKINGER 19 JUN 2006	tyco Tyco Electronics Electronics Harrisburg, PA 17105-3608
DIMENSIONS: mm 	TOLERANCES UNLESS OTHERWISE SPECIFIED: 0 PLC ± 1 PLC ± 2 PLC ±.30 3 PLC ±0.15 4 PLC ± ANGLES ±2 FINISH	PRODUCT SPEC - APPLICATION SPEC - WEIGHT -	NAME CONNECTOR ASSEMBLY PIN P10S0 DRAWER SIZE A2 CAGE CODE 00779 C DRAWING NO 1926163 RESTRICTED TO - SCALE 3:1 SHEET 1 OF 2 REV A
MATERIAL -		CUSTOMER DRAWING	

THIS DRAWING IS UNPUBLISHED. RELEASED FOR PUBLICATION 20
 © COPYRIGHT 20 BY TYCO ELECTRONICS CORPORATION. ALL RIGHTS RESERVED.

LOC	DIST	REVISIONS					
GP	00	P	LTR	DESCRIPTION	DATE	DWN	APVD
		-		SEE SHEET 1	-	-	-

- PART NUMBER CHANGES AND OR DESIGN CHANGES AFFECTING ITEM INTERCHANGEABILITY REQUIRE PRIOR TYCO APPROVAL AND AUTHORIZATION BY REVISION TO THIS DRAWING.
- MATERIAL:
 INSULATORS - THERMOPLASTIC, GLASS REINFORCED, COLOR: BLACK
 UL94V-0 FLAMMABILITY RATED.
 PIN CONTACTS - COPPER ALLOY
 RETENTION CLIPS: COPPER ALLOY
- FINISH:
 CONTACTS - GOLD PLATE .000010 INCH MIN. THK., OVER NICKEL
 .000040 INCH MIN. THK.

△4 ITEMS PROVIDED TO THIS SPECIFICATION TO BE PERMANENTLY IDENTIFIED PER THE FOLLOWING IDENTIFIER LABEL

YEAR WEEK

TYCO PART NO. DATE CODE (e.g. 0106)

XXXXXXXX-X
XXXX

△5 CRIMP CONTACTS (ITEM B AND C) SHALL BE PACKAGED SEPERATELY AND PLACED IN THE BOX WITH THE CONNECTOR ASSEMBLY.

△5	2	1650156-2	CONTACT, PIN, #12, CRIMP, PREMATE, HP	C
△5	6	1650153-2	CONTACT, PIN #12, CRIMP, STD, HP	B
	1	1648568-1	PIN, CONNECTOR ASSY	A
	-1	PART NUMBER	DESCRIPTION	ITEM NO.

<small>THIS DRAWING IS A CONTROLLED DOCUMENT FOR TYCO ELECTRONICS CORPORATION IT IS SUBJECT TO CHANGE AND THE CONTROLLING ENGINEERING ORGANIZATION SHOULD BE CONTACTED FOR THE LATEST REVISION.</small>		DWN R.GRZYBOWSKI 19 JUN 2006 CHK S.FLICKINGER 19 JUN 2006 APVD S.FLICKINGER 19 JUN 2006	tyco Tyco Electronics Electronics Harrisburg, PA 17105-3608
DIMENSIONS: mm	TOLERANCES UNLESS OTHERWISE SPECIFIED: 0 PLC ± 1 PLC ± 2 PLC ±.30 3 PLC ±0.15 4 PLC ± ANGLES ±2 FINISH	NAME CONNECTOR ASSEMBLY PIN P10SO DRAWER	SIZE CAGE CODE DRAWING NO RESTRICTED TO A200779G-1926163 -
MATERIAL		WEIGHT	CUSTOMER DRAWING SCALE 3:1 SHEET 2 OF 2 REV A

ELCON P10SO DRAWER