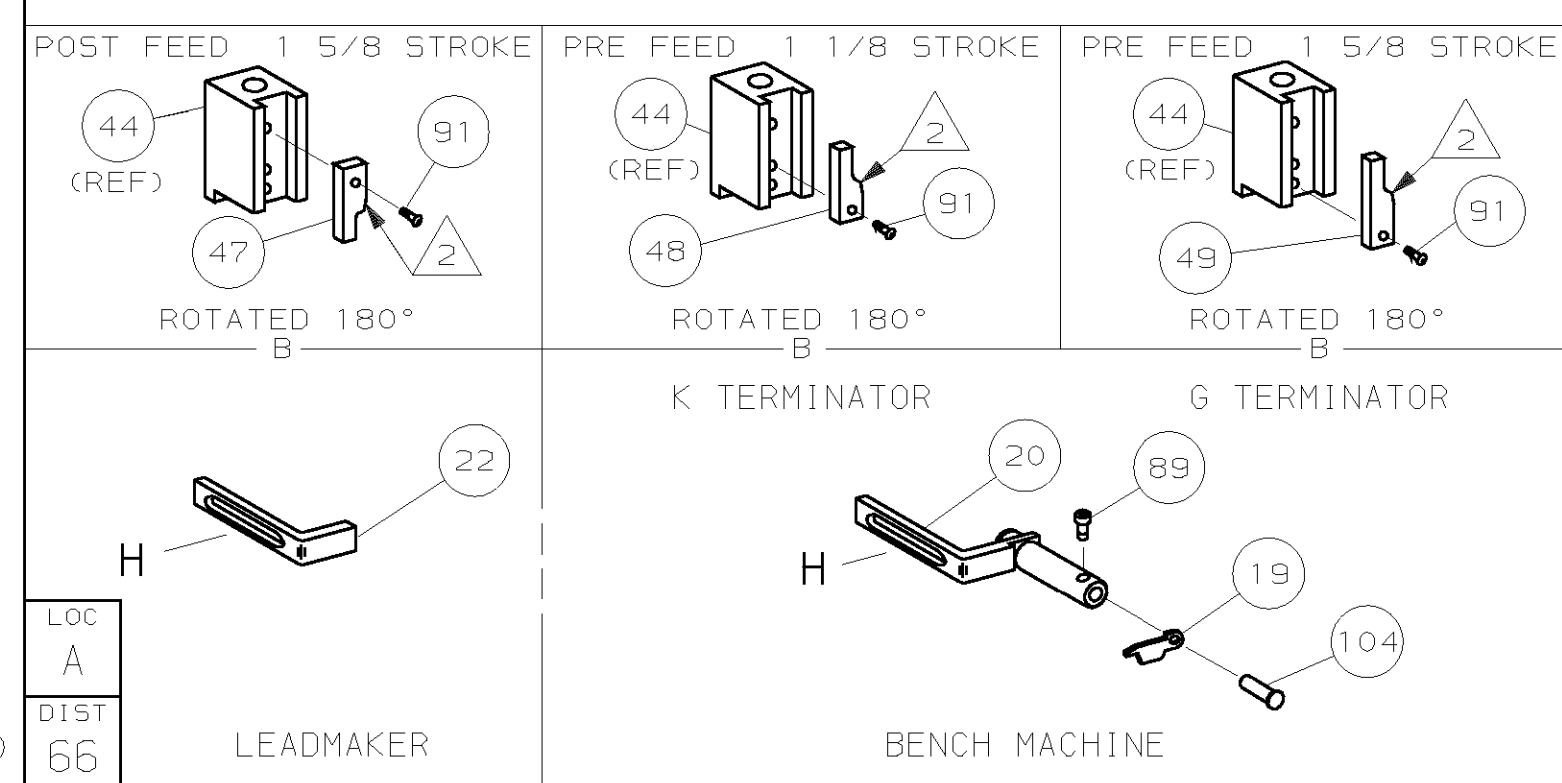
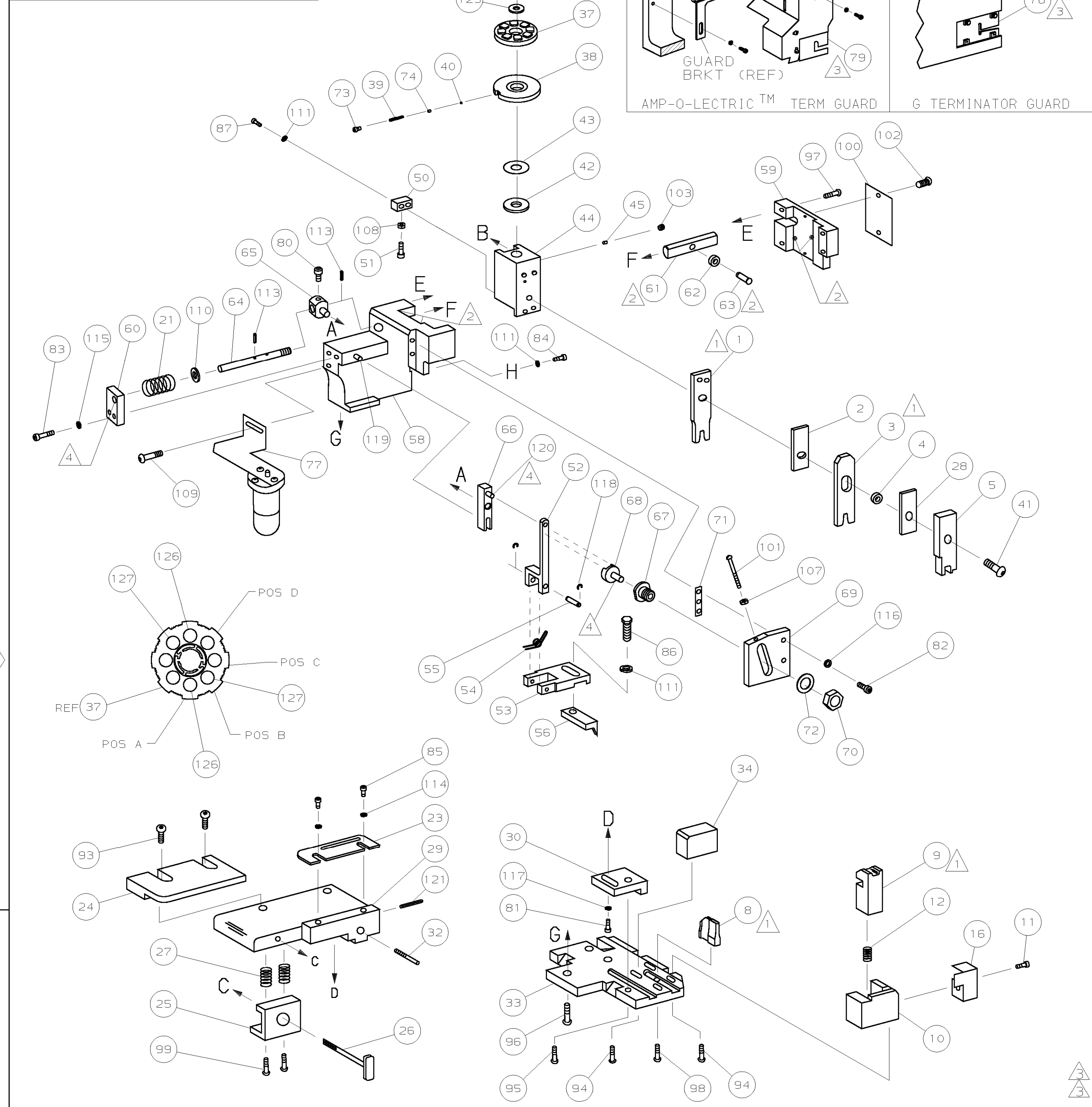


PART NUMBER	REV	FIRST USED
1385259-1	A	122500-1
1385259-2	A	565435-5
1385259-3	A	354500-1



LOC A
D1ST 66
LEADMAKER
BENCH MACHINE

- RECOMMENDED SPARE PARTS.
- GREASE LIGHTLY.
- GUARD MUST BE IN PLACE WHEN OPERATING APPLICATOR IN A BENCH MACHINE.
- LUBRICATE DAILY USING NO. 20 MACHINE OIL.
- ITEMS WITH QTY OF REF SPECIFIED (EXCEPT ITEMS 78 AND 79) ARE USED ON ITEM 46.

WIRE STRIP LENGTH	TERM APPL SPEC	FEED	APPL INSTRUCTION	SET UP GAGE	LAYOUT
.157	NONE	.380	408-8040	458637-1	L2527

QTY	REF	REF	REF	U/M	DWG SIZE	PART NO	DESCRIPTION	ITEM NO
1	2	2	2	-	C	5-354779-8	PIN, WIRE DISC (.3280)B	129
1	2	2	2	-	C	4-354779-9	PIN, WIRE DISC (.3235)A	127
1	1	1	1	-	A	986950-1	WASHER, FLAT PRECISION	125
1	1	1	1	-	A	217238-1	GENERAL INSTRUCTION PACKAGE	124
1	1	1	1	-	-	4088040	SF APPL INST 408-8040	123
1	1	1	1	-	A	4-21028-0	PIN,SLT SPR(Ø.093x.75)ST GDE PL	122
REF	REF	REF	-	A	1-21030-1	PIN,DOWEL(Ø.187x.50)LEVER	120	
REF	REF	REF	-	A	1-21030-6	PIN,DOWEL(Ø.187x1.25)HOUSING	119	
REF	REF	REF	-	A	21045-3	RING,RET "C"(Ø.187)FD FING PIN	118	
1	1	1	1	-	A	21024-5	WASHER, LOCK(#10)ADJ BLOCK	117
REF	REF	REF	-	A	21024-5	WASHER,LOCK(#10)ADJ PLATE	116	
REF	REF	REF	-	A	21024-5	WASHER,LOCK(#10)FEED GDE ROD	115	
2	2	2	2	-	A	21024-2	WASHER,LOCK(#4)FRONT STP GUIDE	114
REF	REF	REF	-	A	5-21028-1	PIN,SLT SPR(Ø.125x.50)ADJ ROD	113	
4	4	4	4	-	A	21024-4	WASHER,LOCK(#8)STRIPPER	111
REF	REF	REF	-	A	21899-4	WASHER,FLAT(Ø5/16)SCREW ADJ	110	
-	1	-	-	A	2-21002-6	SCR,BHC(10-32x.38)LUBE ASSY	109	
1	1	1	1	-	A	21018-5	NUT,HEX(NØ.6)HOLDDOWN	108
REF	REF	REF	-	A	21068-5	NUT,HEX(6-32)FEED ADJ	107	
1	1	1	1	-	A	992031-1	PIN, CLEVIS	105
1	1	1	1	-	A	21009-2	SCR,5KT SET(1/4-20x.25 LW)RAM	104
2	2	2	2	-	A	21017-2	SCR,DRIVE(#2x.19)ID PLATE	102
REF	REF	REF	-	A	6-23715-5	SCR,PAN HD(6-32x1.50)FEED ADJ	101	
1	1	1	1	-	B	461264-1	PLATE, IDENTIFICATION	100
2	2	2	2	-	A	3-21002-0	SCR,BHC(10-32x.88)DRAG	99
1	1	1	1	-	A	22733-8	SCR,BHC(8-32x.38 LW)ANVIL	98
REF	REF	REF	-	A	2-21002-9	SCR,BHC(10-32x.75)CAP	97	
REF	REF	REF	-	A	2-22733-8	SCR,BHC(1/4-20x.62)HOUSING	96	
REF	REF	REF	-	A	2-21002-7	SCR,BHC(10-32x.50)5G ADJ BLOCK	95	
4	4	4	4	-	A	2-21002-2	SCR,BHC(8-32x.50)TERM H DWN	94
2	2	2	2	-	A	2-21002-3	SCR,BHC(8-32x.62)R STP GDE	93
1	1	1	1	-	A	1-21002-7	SCR,BHC(6-32x.38)CAM	91
1	1	1	1	-	A	7-21000-9	SCR,SHC(4-40x.19)STRIPPER	90
2	2	2	2	-	A	2-21000-7	SCR,SHC(8-32x.50)DEP-HOLD	87
1	1	1	1	-	A	2-22603-0	SCR,HEX HD(8-32x.31)FEED FINGER	86
2	2	2	2	-	A	1-21000-3	SCR,SHC(4-40x.25)F ST GUIDE	85
1	1	1	1	-	A	2-21000-7	SCR,SHC(8-32x.50)STRIPPER	84
REF	REF	REF	-	A	3-21000-7	SCR,SHC(10-32x.75)FEED ROD GD	83	
REF	REF	REF	-	A	3-21000-6	SCR,SHC(10-32x.62)FD ADJ BLK	82	
1	1	1	1	-	A	3-21000-4	SCR,SHC(10-32x.38)5G ADJ BL	81
REF	REF	REF	-	A	3-21000-4	SCR,SHC(10-32x.38)PIVOT BLK	80	
-	REF	-	-	B	455749-1	GUARD, WINDOW	79	
REF	-	-	-	B	679532-1	INSERT, GUARD	78	
-	1	-	-	C	1-465184-0	LUBRICATOR ASSY	77	
1	1	1	1	-	A	690603-1	SPRING, ASSIST	75
1	1	1	1	-	A	23030-1	SCR,SHC(6-32x.25 SL)INS DISC	73
REF	REF	REF	-	A	458109-1	WASHER, SPECIAL	72	
REF	REF	REF	-	A	690517-1	SPACER	71	

QTY REOD PER ASSY	REF	REF	REF	U/M	DWG SIZE	PART NO	DESCRIPTION	ITEM NO
	-3	-2	-1	U/M	DWG SIZE			

QTY	REF	REF	REF	U/M	DWG SIZE	PART NO	DESCRIPTION	ITEM NO
1	1	1	1	-	B	458537-2	PAWL, FEED	56
REF	REF	REF	-	B	240624-1	PIN, FEED FINGER		55
REF	REF	REF	-	B	691499-1	SPRING, FEED FINGER		54
REF	REF	REF	-	B	690541-1	HOLDER, FEED FINGER		53
REF	REF	REF	-	A	455679-2	LEVER, TERMINAL FEED ARM		52
1	1	1	1	-	A	811242-2	BUMPER, HOLDDOWN	51
1	1	1	1	-	A	690753-1	SPACER, TONKER	50
1	-	-	-	B	690602-6	CAM, PRE-FEED 1 5/8 ST		49
-	1	-	-	B	690602-5	CAM, PRE-FEED 1 1/8 ST		48
-	-	1	-	B	690501-4	CAM, POST-FEED 1 5/8 ST		47
1	1	1	1	-	B	459456-2	APPLICATOR, BASIC (SUBASSY)	46
1	1	1	1	-	A	690191-1	PLUG, NYLON	45
1	1	1	1	-	C	455673-1	RAM	44
1	1	1	1	-	A	690125-1	WASHER, LAMINATED	43
1	1	1	1	-	A	690124-1	WASHER, RAM	42
1	1	1	1	-	A	7-21002-9	BOLT, CRIMPER(5/16x1.00)	41
1	1	1	1	-	A	23241-6	BALL, STEEL	40
1	1	1	1	-	A	690170-1	SPRING, COMPRESSION	39
1	1	1	1	-	C	690142-4	DISC, INSULATION	38
1	1	1	1	-	D	354777-1	WIRE DISC, PLASTIC	37
1	1	1	1	-	A	22480-5	WASHER, SPRING	36
1	1	1	1	-	B	690212-1	POST, RAM	35
1	1	1	1	-	B	690786-3	SUPPORT, TERMINAL	34
REF	REF	REF	-	D	455675-1	PLATE, BASE		33
1	1	1	1	-	A	690432-3	SCREW, ADJUSTMENT	32
REF	REF	REF	-	B	455689-1	BLOCK, STRIP GUIDE ADJ		30
1	1	1	1	-	C	455671-1	PLATE, STRIP GUIDE	29
1	1	1	1	-	C	4-455888-0	SPACER, FRONT SHEAR DEP	28
2	2	2	2	-	A	1-22284-0	SPRING, DRAG	27
1	1	1	1	-	B	690546-1	LEVER, DRAG RELEASE	26
1	1	1	1	-	B	240792-1	DRAG, TERMINAL	25
1	1	1	1	-	D	8-690504-9	GUIDE, STRIP (REAR)	24
1	1	1	1	-	A	690438-1	GUIDE, STRIP (FRONT)	23
-	-	1	-	B	690472-2	STRIPPER		22
REF	REF	REF	-	A	4-22284-9	SPRING, FEED RETURN		21
1	1	1	1	-	A	679218-1	STRIPPER WIRE STOP ASSY	20
1	1	1	1	-	B	458949-1	STRIPPER	19
1	1	1	1	-	B	318563-1	GUARD, CHIP, FRONT	16
1	1	1	1	-	C	1-455889-4	DEPRESSOR, SHEAR (FRONT)	5
1	1	1	1	-	B	2-238011-2	SPACER, BLOCK CRIMPER	4
1	1	1	1	-	C	5-456134-4	CRIMPER, INSULATION	3
1	1	1	1	-	C	1-455888-4	SPACER, CRIMPER	2
1	1	1	1	-	C	3-456403-8	CRIMPER, WIRE	1

QTY REOD PER ASSY	REF	REF	REF	U/M	DWG SIZE	PART NO	DESCRIPTION	ITEM NO
	-3	-2	-1	U/M	DWG SIZE			