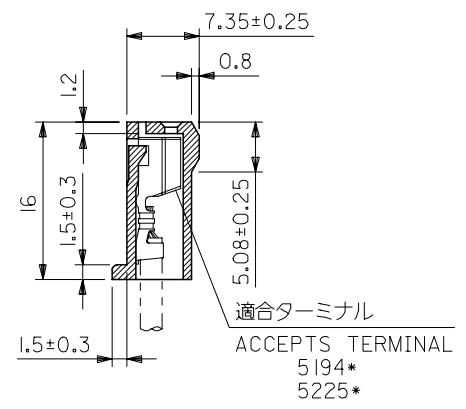
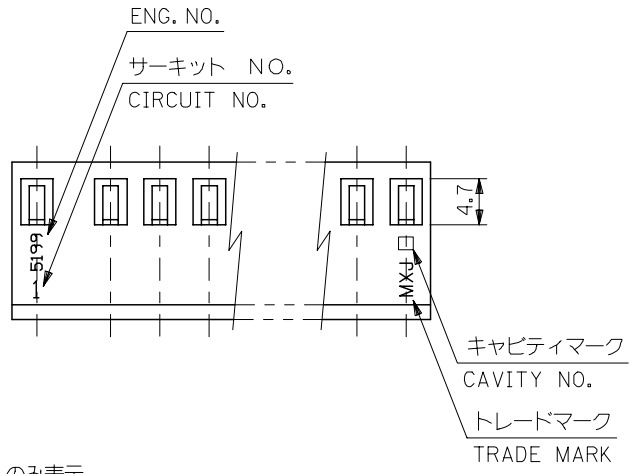
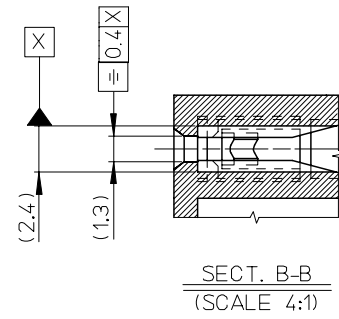
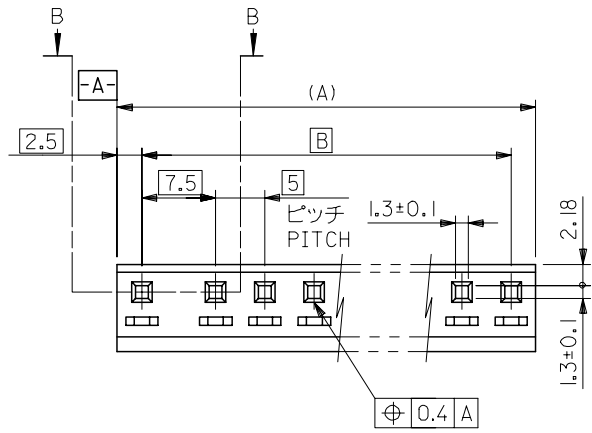


10 9 8 7 6 5 4 3 2 1



注) NOTE.
 1. 各部のそりは0.5最大 WARPING:0.5MAX.
 2. サーキットNO. はNO. " 1" のみ表示
 CIRCUIT NO. : "I" ONLY

10-63-3064	5199-06	27.5	32.5	6
▲-3054	▲-05	22.5	27.5	5
▼-3044	▼-04	17.5	22.5	4
▼-3034	▼-03	12.5	17.5	3
10-63-3024	5199-02	7.5	12.5	2
EDP.NO.	ENG.NO.	B	(A)	極数 CKT.

REVISED EC NO: J2007-3407 DRWN:TKON 2007/06/20 CHK:DM SOGAYA 2007/06/25 APPR:THARUYAMA 2007/06/25	GENERAL TOLERANCES (UNLESS SPECIFIED)		DIMENSION STYLE MM ONLY		SCALE 2:1	DESIGN UNITS METRIC	THIRD ANGLE PROJECTION
	10 UNDER	±0.2	DRAWN BY DATE K.KOHAMA 2000/03/28		TITLE SPOX 5/7.5 PITCH REC HSG		
	10 OVER 30 UNDER	±0.25	CHECKED BY DATE T.YAMAGUCHI 2000/03/30		MOLEX INCORPORATED		
	30 OVER	±0.3	APPROVED BY DATE M.FUKUSHIMA 2000/03/30		DOCUMENT NO. SD-5199-001		
	ANGULAR	±3 °	MATERIAL NO. SEE TABLE		SHEET NO. 1 OF 1		
DRAFT WHERE APPLICABLE MUST REMAIN WITHIN DIMENSIONS		SIZE A3		THIS DRAWING CONTAINS INFORMATION THAT IS PROPRIETARY TO MOLEX INCORPORATED AND SHOULD NOT BE USED WITHOUT WRITTEN PERMISSION			