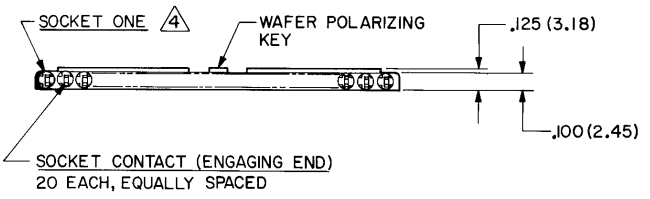
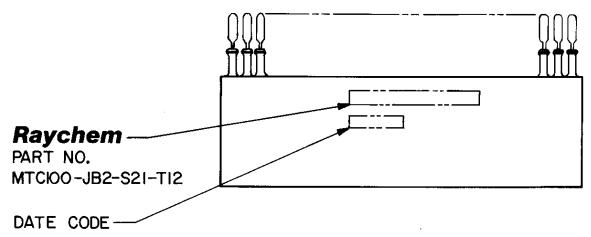
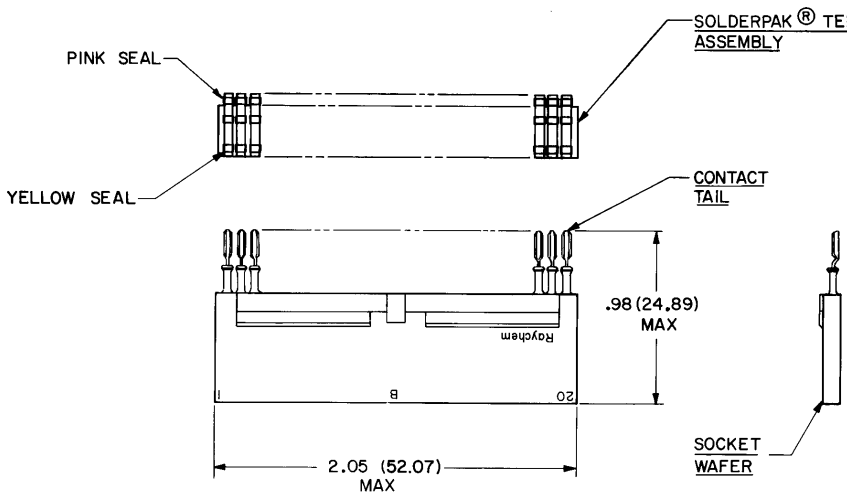


REVISIONS				
ZONE	LTR	DESCRIPTION	DATE	APPROVED
—	A	CHG'D PER DCO# T-02586	W.J. 4-23-81	[Signature]



5 WEIGHT (MAX.): $\frac{\text{LBS.}}{.0103}$ | $\frac{\text{GRAMS}}{4.67}$

4 SOCKET ONE: SOCKET NUMBER ONE MARKED IN CONTRASTING COLOR.

3. WAFER : WAFER MEETS THE REQUIREMENTS OF RAYCHEM SPECIFICATION D-6011.
2. FINISH :
- 2-A SOCKET WAFER ; FINISH TO BE AS MOLDED.
 - 2-B SOCKET CONTACT; GOLD PLATE PER MIL-G-45204 CLASS I.
 - 2-C CONTACT TAIL ; COATED WITH SOLDER PER QQ-S-571.
1. MATERIAL :
- 1-A SOCKET WAFER ; HIGH GRADE POLYARYLENE THERMO-PLASTIC.
 - 1-B SOCKET CONTACT ; COPPER ALLOY PER QQ-B-750 (A).
 - 1-C SOLDERPAK® TERMINATORS ASSY ; REFER TO RAYCHEM DWG. CTA-0027 FOR DATA.

If this document is printed it becomes uncontrolled.
Check with the web for latest revision.

© Raychem Corporation 1981

SPECIFICATION CONTROL DRAWING

UNLESS OTHERWISE SPECIFIED DIMENSIONS ARE IN INCHES BRACKETED DIMENSIONS () ARE METRIC AND TOLERANCES ARE: .XXX : ± .005 (0.13 M.M.) .XX : ± .02 (0.51 M.M.) Δ : ± —	DRAWN	W.V.J.	1-15-81	Raychem <small>RAYCHEM CORPORATION 300 CONSTITUTION DRIVE MENLO PARK, CALIFORNIA 94025</small>
	CHECKED			
	APPROVED	[Signature]		
	APPROVED	[Signature]	9-6-81	
	SIZE	CODE IDENT	DWG. NO.	
	C	NO. 06090	MTC100-JB2-S21-T12	
	WEIGHT	Δ 5	SHEET	OF 1

DO NOT SCALE THIS DRAWING

NOTES