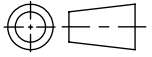
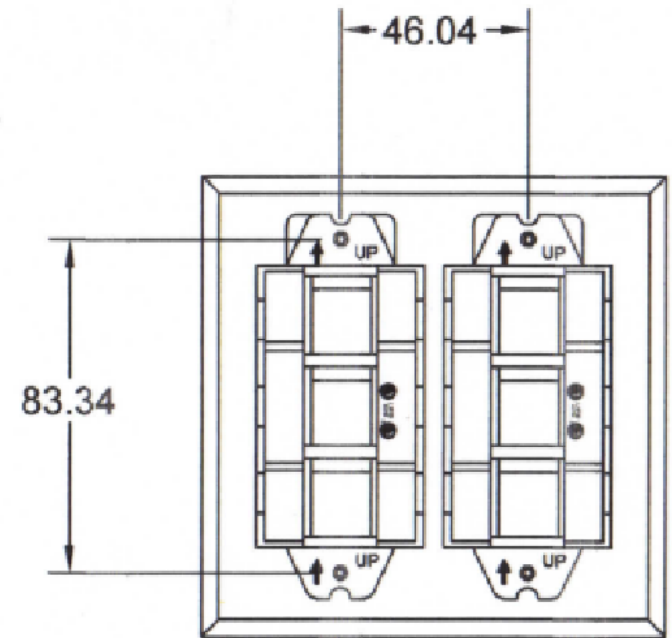
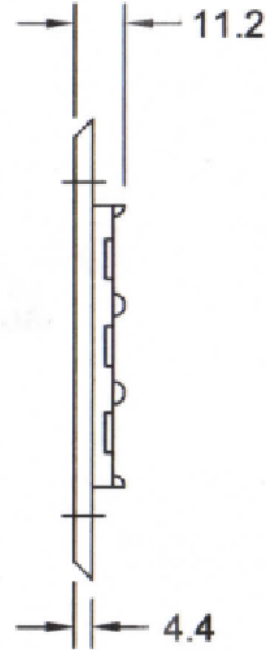
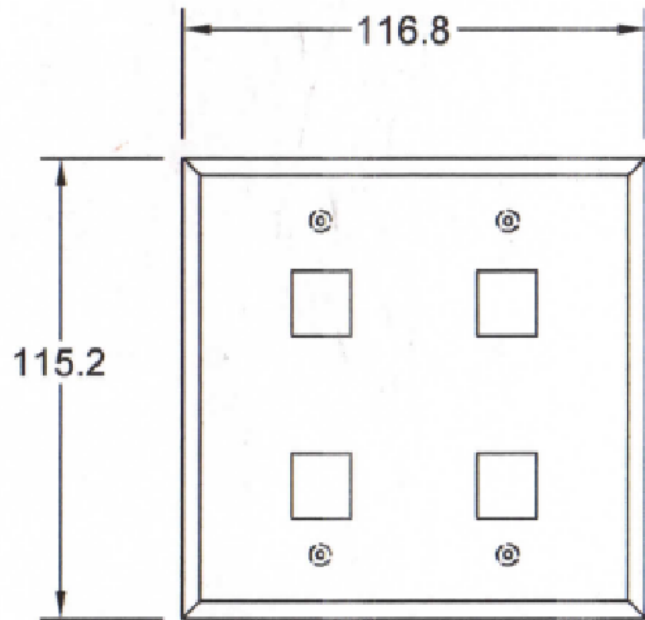


SW2014



Revision level			Revision Record	Changed	Date	Approved	Date
Drawing	State	Part					
00.1	In Work		SEE ECN# 013142	SNH	6/12/2015	KAC	6/12/2015



Material  
STAINLESS STEEL

Units: **millimeters**  
 Dimension without tolerances details to:  
 .XXX = ±.013  
 .XX = ±.13  
 .X = ±.3  
 None = ±.8  
 < = ±0.5°  
 Dimension Formatted mm/[in]

The copyright of this drawing is reserved by HellermannTyton. It is issued on condition that it is not reproduced, copied, or disclosed to a third party, either wholly or in part, without the consent of HellermannTyton.

Drawn	SNH	6/12/2015
Approved	KAC	6/12/2015

**HellermannTyton**  
 North America  
 Email: corp@htamericas.com  
 Web: www.hellermann.tyton.com

Article/Type-No	FPDGQUAD	Scale	1:1
Title	<b>DUAL GANG 4 PORT FLUSH MOUNT FACEPLATE</b>	Project Number	PRP 15-0365
Drawing-No	<b>15-0365-002-CSU</b>	Format	AH
		Sheet	1/1