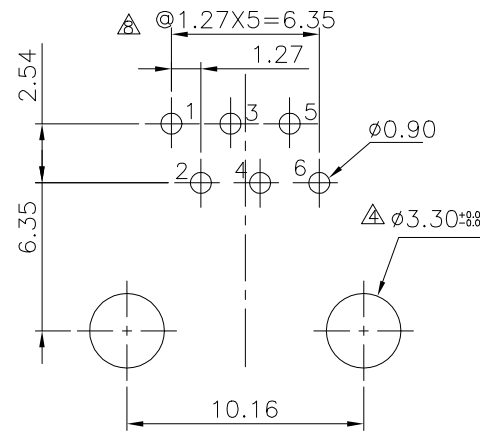
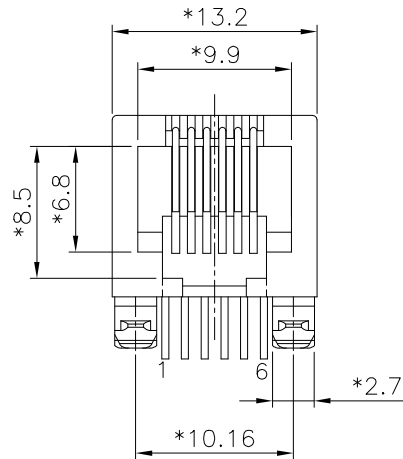
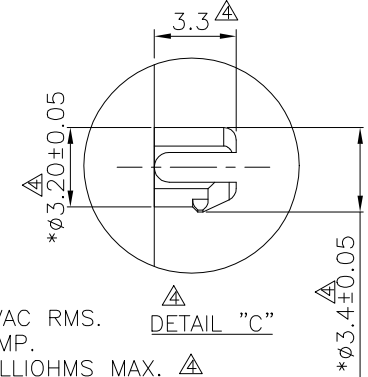
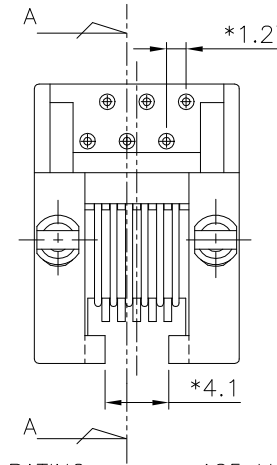
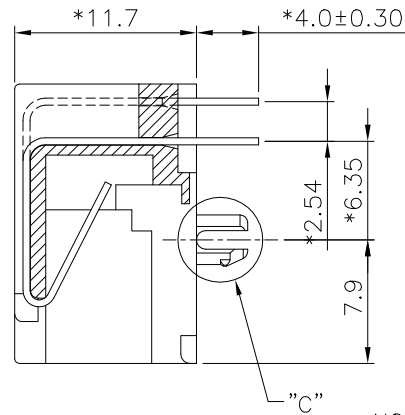
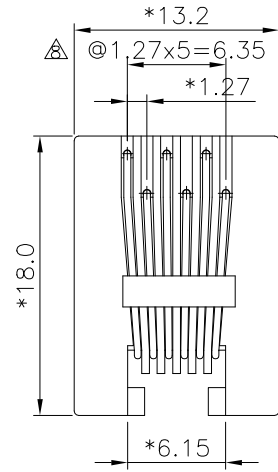


MODIFY DRAWING QUILER 02/18/05

REVISION RECORD				
REV	ECO	DESCRIPTION	DRFT	CHKD
△		MODIFY DRAWING	CZH 3/25/03	
△		DESIGN MODIFY	Syngye 8/6/2003	H
△		ADD PART NO	Waters 10/28/03	
△		Add View	SAMMY 12/25/03	
△		Add NEW P/N	SHL 4/03/04	
△		ADD PART NO	SHL 07/13/04	
△		MODIFY DRAWING	SHE 11/15/04	



PC Board Layout  
Component Side Shown

NOTES:

ELECTRICAL:

- VOLTAGE RATING : 125 VAC RMS.
- CURRENT RATING : 1.5 AMP.
- CONTACT RESISTANCE : 30 MILLIOHMS MAX.
- INSULATION RESISTANCE: 1000 MEGOHMS MIN @ 1000 VDC.
- DIELECTRIC STRENGTH : 1000 VAC RMS 60Hz, 1MIN.

MECHANICAL:

- HOUSING MATERIAL : GLASS FILLED POLYESTER UL94V-0.
- CONTACT MATERIAL : PHOSPHOR BRONZE Ø0.46mm.
- PLATING : GOLD PLATING OVER NICKEL.
- OPERATING LIFE : 750 CYCLES MIN.
- PCB RETENTION PRE-SOLDER : 1 LB MIN.
- PCB RETENTION POST-SOLDER: 10 LBS MIN.

ENVIRONMENTAL:

- STORAGE : -40°C TO +85°C.
- OPERATION: 0°C TO 70°C.

MATES WITH MODULAR PLUG CONFORMING TO FCC PART 68, SUBPART F.

CUL FILE NO. E163191

PART NUMBER: E536X-000X1X

- 2- 2C
- 4- 4C
- 6- 6C
- 1- 3u" 2- 6u" 3- 15u"
- 4- 30u" 5- 50u"
- G - 2u"
- F - GOLD FLASH
- 0- A06-0100 BK
- 1- A06-0110 GY
- 4- A05-0040 BK
- 5- A05-0130 BK

△ LEAD FREE PART NUMBER: E536X-00051X-L

- 2- 2C
- 4- 4C
- 6- 6C
- 1- 3u" 2- 6u" 3- 15u"
- 4- 30u" 5- 50u"
- △ △ FR52 BK

DETACHED LISTS	MM (INCH)	DFTO LGY	DATE 3/10/03
	TOLERANCES EXCEPT AS NOTED	CHKD LGY	DATE 2005/2/18
		MFO	DATE
		APPV LGY	DATE 2005/2/18
	MM		
	.0 ±0.20	±	
	.00 ±0.15	±	
	.000 ±0.075	±	
	ANGLES ±	QT'Y :	
		FINISH :	
	THIRD ANGLE PROJECTION	SCALE : 2.5:1	

FULL RISE ELECTRONIC CO., LTD

TITLE  
90° VERY L/P PCB JACK 6P

DRAWING NO. GE533077  
/PART NO. SEE NOTE

DO NOT SCALE DRAWING SHEET X OF Y