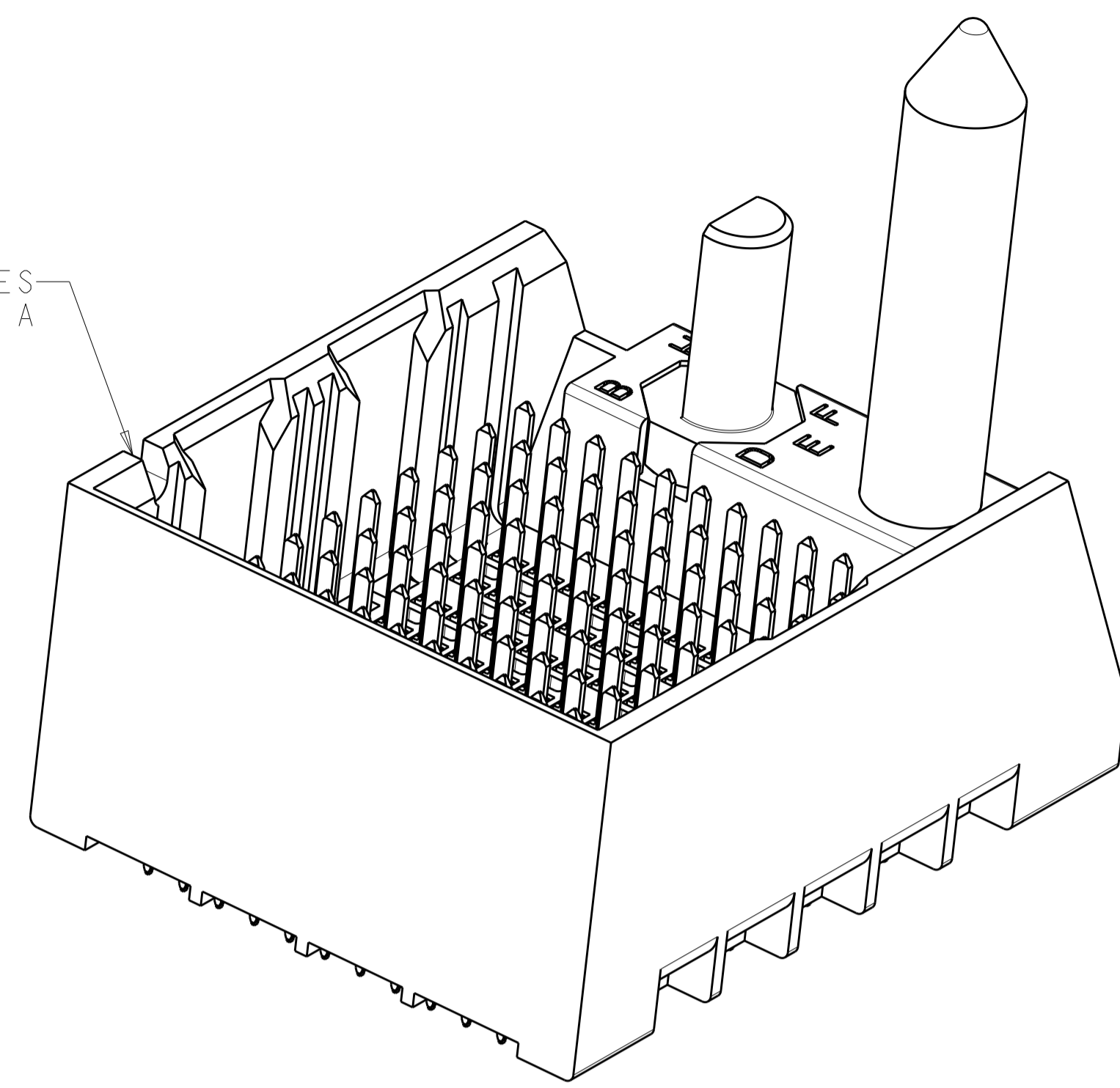
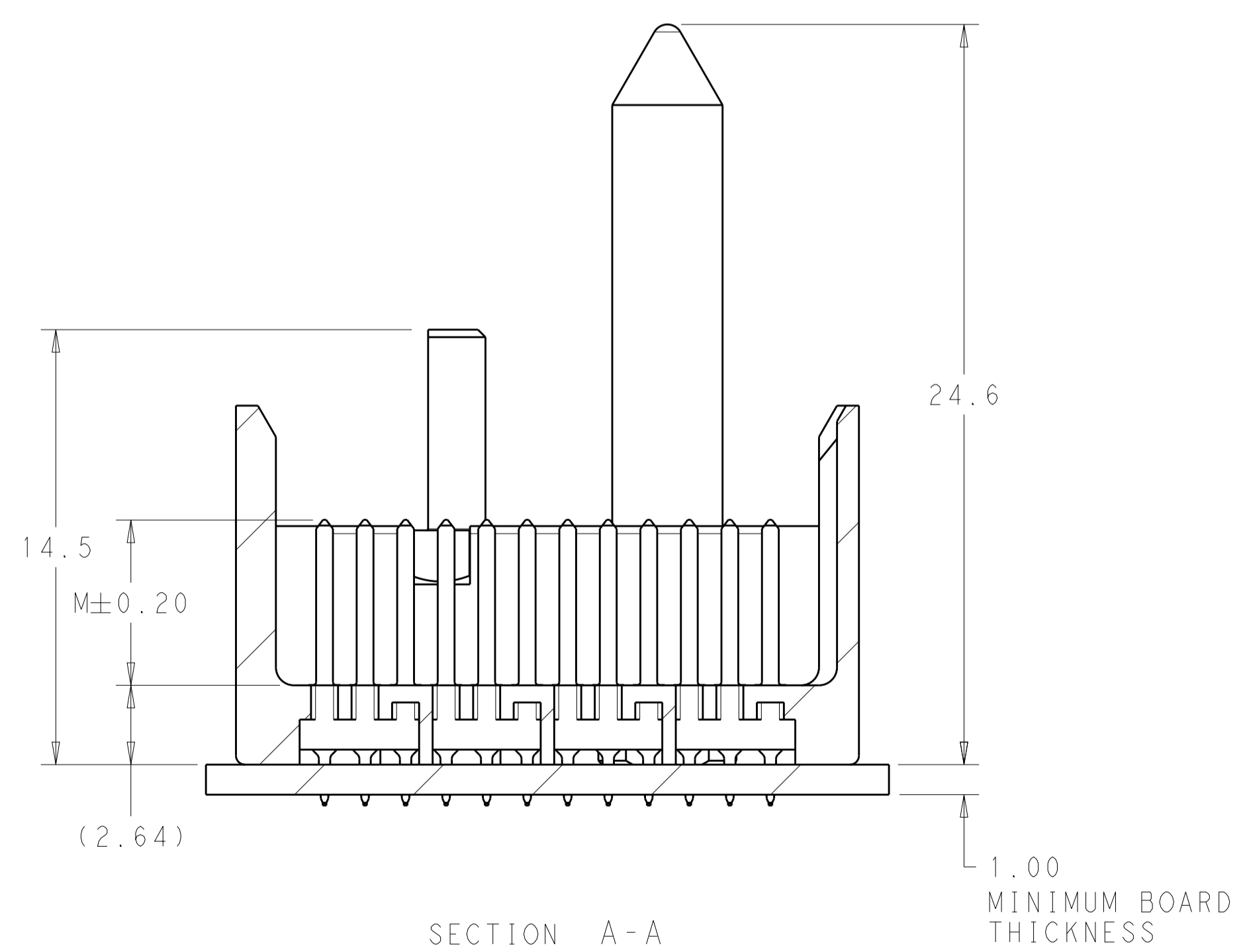
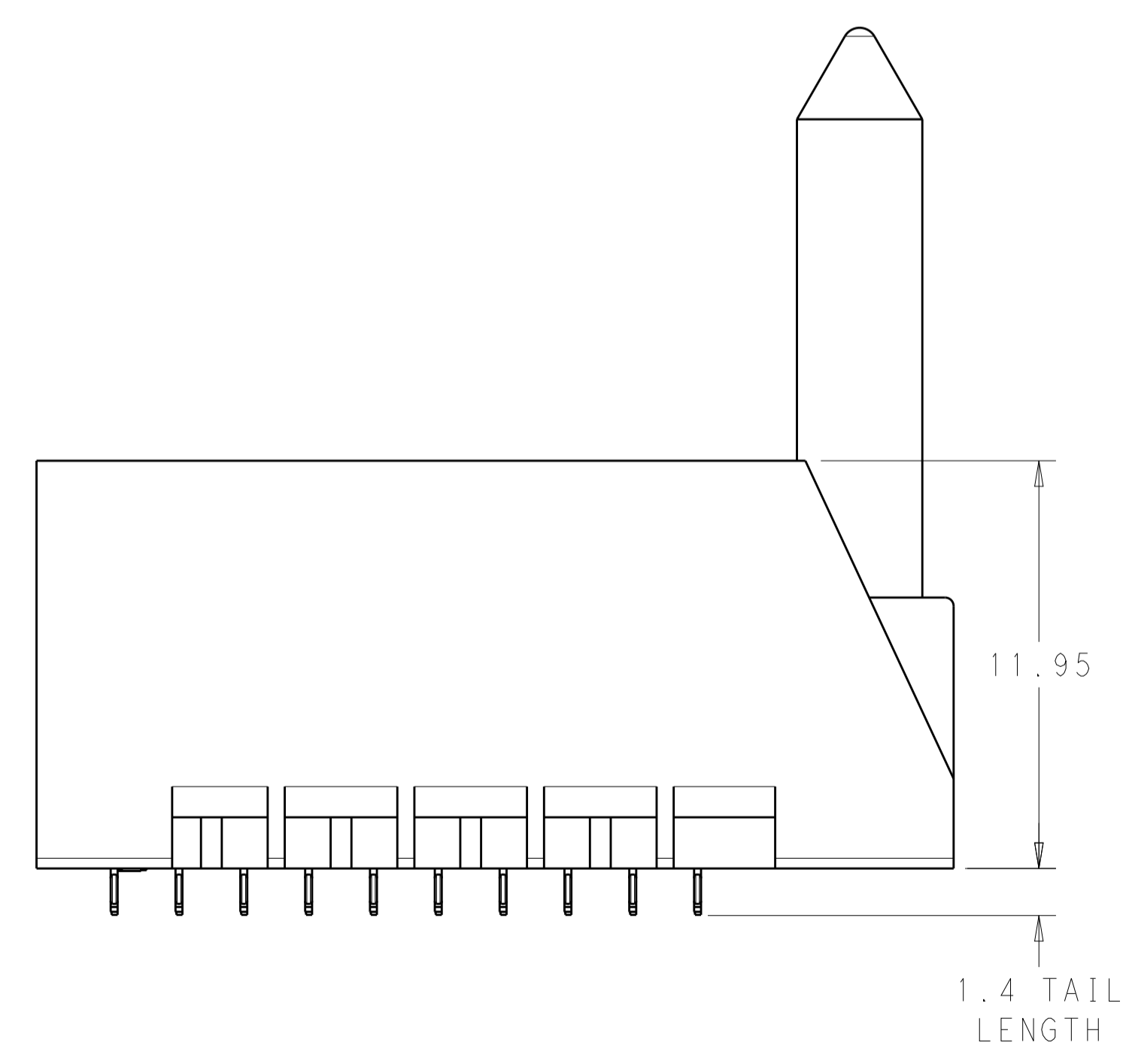
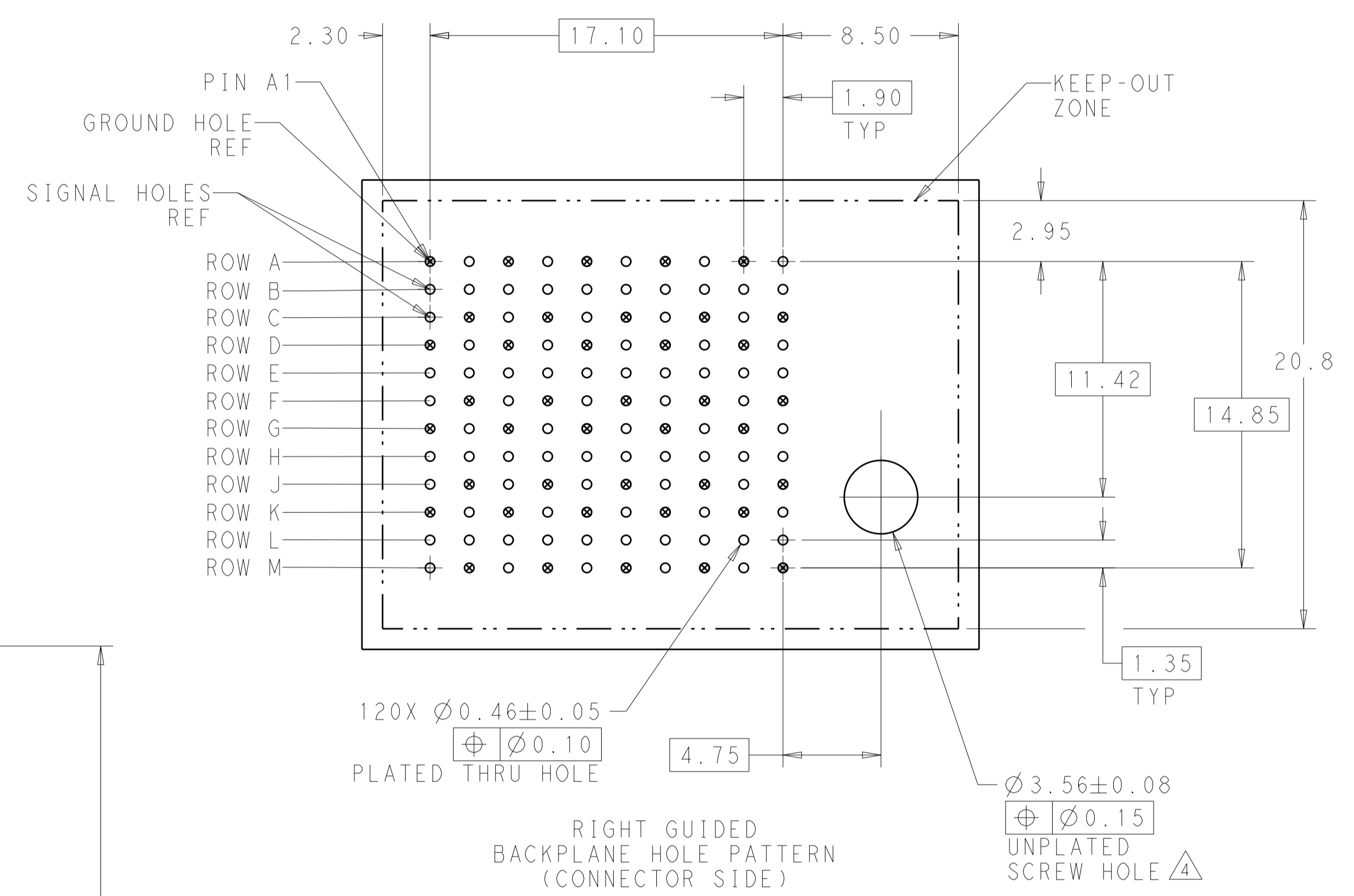
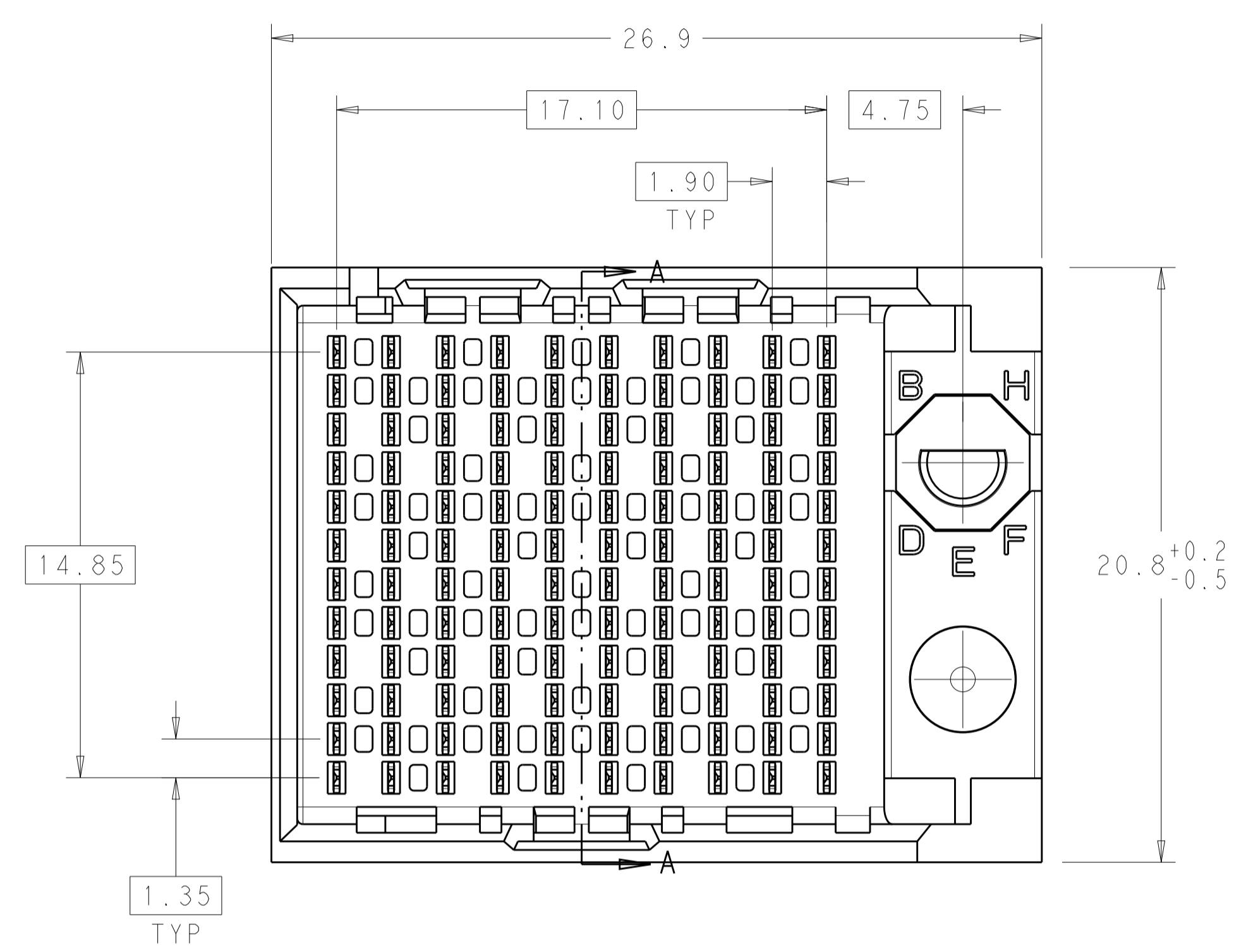


REVISIONS				
P.	LTN.	DESCRIPTION	DATE	APVD.
B1		REV PER ECO-15-001494	02FEB2015	AP DD

NOTCH DESIGNATES ROW A

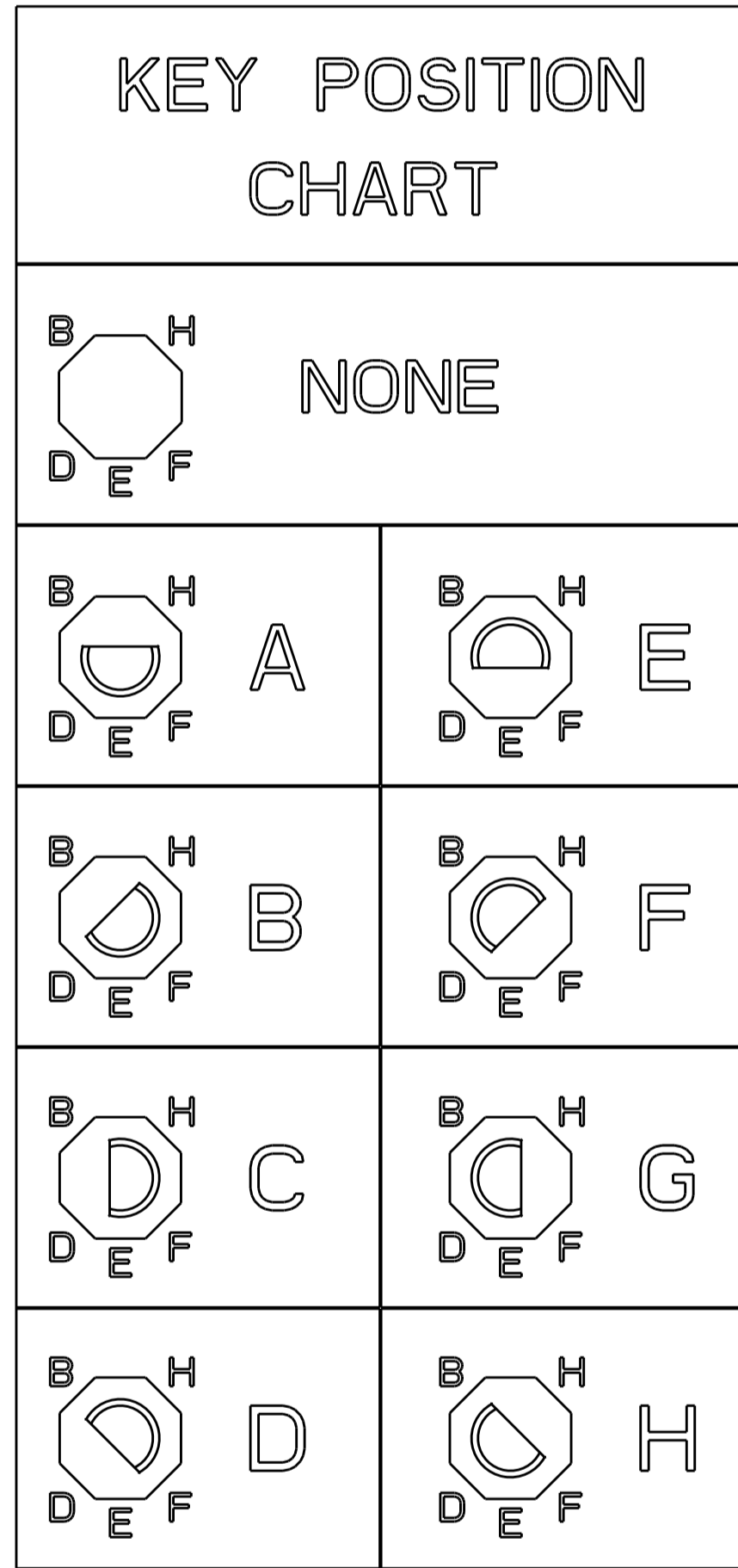


- 1 MATERIAL:
HOUSING: LCP, GLASS FILLED, UL94V-0.
TERMINALS: HIGH PERFORMANCE COPPER ALLOY.
- 2 FINISH:
30µ" MIN GOLD IN CONTACT AREA. SELECTIVE TIN ON PCB TAILS, NICKEL OVERALL.
- 3. SCREWS PACKAGED IN END OF PACKAGING TUBE.
- 4 FOR GROUNDED GUIDE PIN USE $\varnothing 3.56 \pm 0.08$ PTH, $\varnothing 3.66$ DRILL, AND $\varnothing 6.5$ PAD.
- 5. KEYING PIN SHOWN IN POSITION A, SEE KEYING CHART ON SHEET 2 FOR OTHER POSITIONS.



THIS DRAWING IS A CONTROLLED DOCUMENT.		DWN J. K. SHOBER 03JAN2011 CHK J. EARY 03JAN2011 APVD J. EARY 03JAN2011	TE Connectivity
DIMENSIONS: mm 	TOLERANCES UNLESS OTHERWISE SPECIFIED: 0 PLC ± 1 PLC ±0.25 2 PLC ±0.13 3 PLC ± 4 PLC ± ANGLES ±	NAME PRODUCT SPEC APPLICATION SPEC SIZE CAGE CODE DRAWING NO WEIGHT CUSTOMER DRAWING	

REVISIONS				
P.	LTN	DESCRIPTION	DATE	OWN APVD
-	-	SEE SHEET 1	-	-



	H	5.5	8-2007814-3
	H	4.9	8-2007814-2
	H	4.5	8-2007814-1
	G	5.5	7-2007814-3
	G	4.9	7-2007814-2
	G	4.5	7-2007814-1
	F	5.5	6-2007814-3
	F	4.9	6-2007814-2
	F	4.5	6-2007814-1
	E	5.5	5-2007814-3
	E	4.9	5-2007814-2
	E	4.5	5-2007814-1
	D	5.5	4-2007814-3
	D	4.9	4-2007814-2
	D	4.5	4-2007814-1
	C	5.5	3-2007814-3
	C	4.9	3-2007814-2
	C	4.5	3-2007814-1
	B	5.5	2-2007814-3
	B	4.9	2-2007814-2
	B	4.5	2-2007814-1
	A	5.5	1-2007814-3
	A	4.9	1-2007814-2
	A	4.5	1-2007814-1
	-	5.5	2007814-3
	-	4.9	2007814-2
	-	4.5	2007814-1
FINISH	KEY POSITION	DIM M	PART NUMBER

REFER TO WWW.TE.COM
FOR PRODUCT AVAILABILITY

THIS DRAWING IS A CONTROLLED DOCUMENT.		OWN J. K. SHOBER 03JAN2011		TE Connectivity
DIMENSIONS: mm		CHK J. EARY 03JAN2011		
TOLERANCES UNLESS OTHERWISE SPECIFIED:		APVD J. EARY 03JAN2011	NAME IMPACT, 4 PAIR, 10 COLUMN, HEADER	
0 PLC ±0.25		PRODUCT SPEC	RIGHT GUIDED, LEFT END WALL	
2 PLC ±0.13		APPLICATION SPEC	SIGNAL MODULE, 0.46 PTH	
3 PLC ±		WEIGHT	SIZE A1	CAGE CODE
4 PLC ±		CUSTOMER DRAWING	DRAWING NO C=2007814	RESTRICTED TO
ANGLES FINISH		SCALE 5:1	SHEET 2 OF 2	REV B1