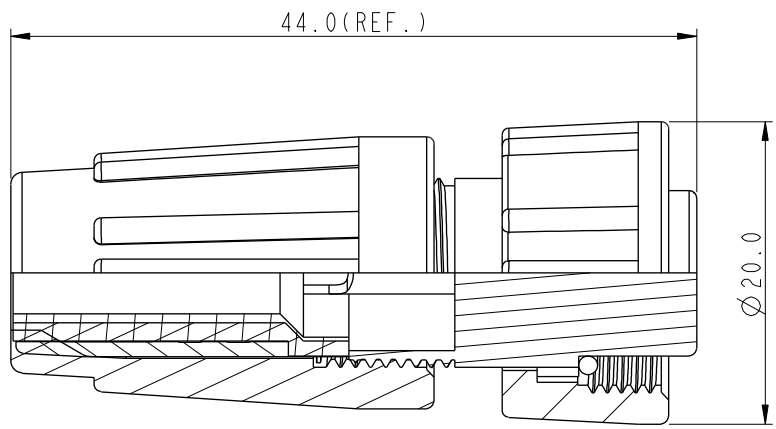
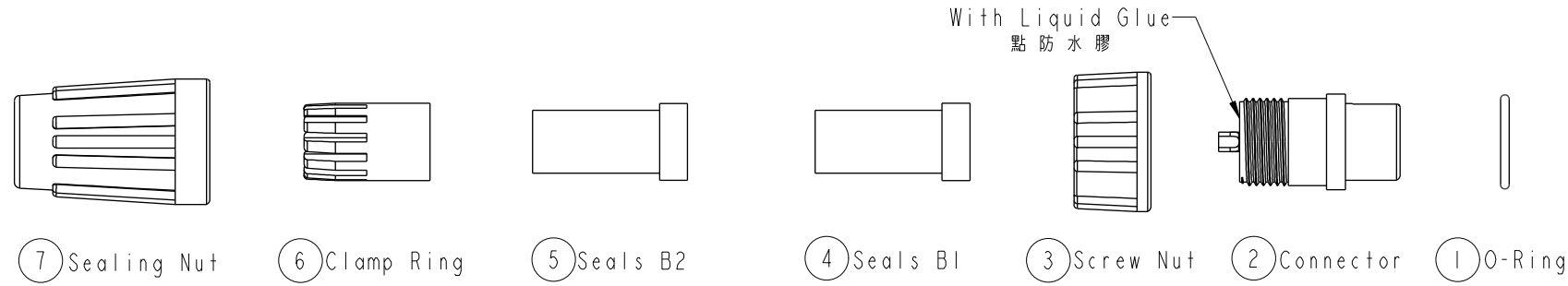


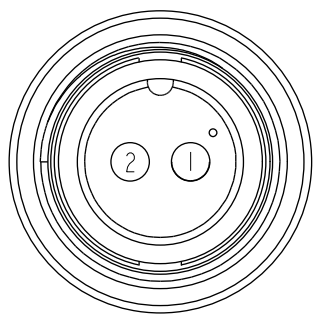
THIS DOCUMENT IS SUBJECT TO CHANGE WITHOUT NOTICE. IT IS CONFIDENTIAL AND A PROPERTY OF Amphenol LTW. DISCLOSURE TO THIRD PARTY HAS TO BE AUTHORIZED BY Amphenol LTW.

REV.	ECN NO.	DATE	SIGN	DESCRIPTION



ALTW
DCC. DEPT.
CONFIDENTIAL
2012-03-19
ISSUED

ALTW
CONFIDENTIAL
2012-03-14
R&D DEPT.



Pin Assignments
Front View 前視圖

- Note:
- * Seals B1 for Cable OD: $\varnothing 4.5\text{mm} \sim \varnothing 6.5\text{mm}$
(防水墊圈B1線徑: $\varnothing 4.5\text{mm} \sim \varnothing 6.5\text{mm}$)
 - * Seals B2 for Cable OD: $\varnothing 3.5\text{mm} \sim \varnothing 5.3\text{mm}$
(防水墊圈B2線徑: $\varnothing 3.5\text{mm} \sim \varnothing 5.3\text{mm}$)
 - * One Set Unassembled in One PE Bag
(一組未組裝, 放置於一個PE袋, 並封口)
 - * CC Important Dimension.
 - * Waterproof Rate : IP66
 - * Ring: Black, EPDM
 - * Housing: Black, Nylon+GF
 - * Pin: Copper Alloy, Gold Plated
 - * Screw Nut: Black, Nylon+GF
 - * Seals: Black, EPDM
 - * Clamping Ring: Black, Nylon
 - * Sealing Nut: Black, Nylon
 - * PE Bag: 90mm*85mm
 - * Liquid Glue: Clear

UNIT: mm			TITLE Standard, Assy Screw 2Pin F Conn F Pin
TOLERANCE .X ±0.25 .XX ±0.1 .XXX ±0.05 ANGLES ±1°	SCALE 1:1	SIZE A4	SHEET 1 OF 1
REV. A	WC-REV. A.4	CC : Inspection item	

Amphenol LTW
安費諾亮泰企業股份有限公司

ITEM NO. BB-02BFFA-SL6001	DRAWN BY SamChang	DATE 2012-03-14
DWG NO. BB-02BFFA-SL6001	CHECKED BY Jeffrey	DATE 2012-03-19
CUSTOMER ALTW	APPROVED BY Kevin	DATE 2012-03-19