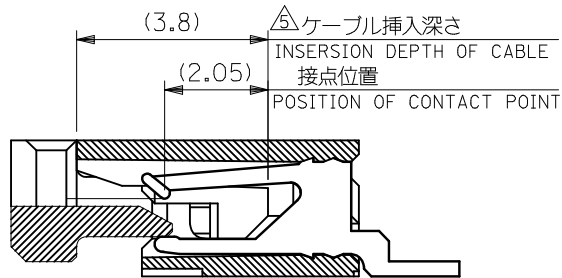


注記 NOTES

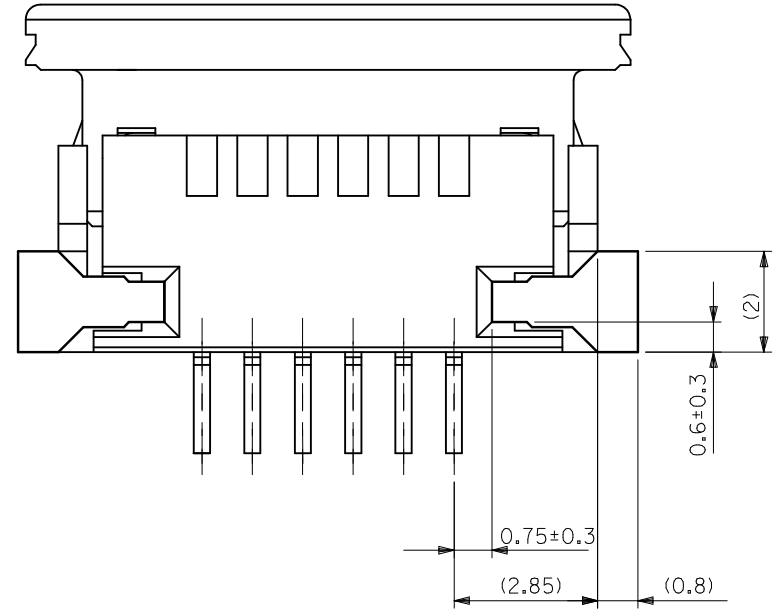
- 接点部までの嵌合長さ。
LENGTH TO CONTACT POINT.
- 使用材料 MATERIAL
ハウジング : 46ナイロン (耐熱性), UL94V-0
HOUSING : 46NYLON, UL94V-0
アクチュエータ : PPS, UL94V-0
ACTUATOR : PPS, UL94V-0
ターミナル : リン青銅, 半田メッキ (t=0.32)
TERMINAL : PHOS-BRO., TIN-LEAD PLATED (t=0.32)
金具 : 銅合金, 半田メッキ (t=0.25)
FITTING NAIL : COPPER ALLOY, TIN-LEAD PLATED (t=0.25)
- パターンはくり止め用金具
FITTING NAIL FOR PREVENTION OF PEELING OF P.C.B.PATTERN.
- エンボステープ梱包時は, アクチュエータがロックした状態とする。
IN THE PACKAGE, ACTUATOR OF PART NO. 52207-**17 SHOULD BE LOCKED.
- ケーブル挿入深さ
INSERTION DEPTH OF CABLE.
- パターン書き込み禁止エリア。
NO FOOT PRINT AREA.

38.7	35.2	33	52207-3417	34
34.7	31.2	29	-3017	30
32.7	29.2	27	-2817	28
29.7	26.2	24	-2517	25
28.7	25.2	23	-2417	24
26.7	23.2	21	-2217	22
24.7	21.2	19	-2017	20
22.7	19.2	17	-1817	18
21.7	18.2	16	-1717	17
20.7	17.2	15	-1617	16
19.7	16.2	14	-1517	15
18.7	15.2	13	-1417	14
16.7	13.2	11	-1217	12
15.7	12.2	10	-1117	11
14.7	11.2	9	-1017	10
13.7	10.2	8	-0917	9
12.7	9.2	7	-0817	8
11.7	8.2	6	-0717	7
10.7	7.2	5	52207-0617	6
C	B	A	MATERIAL NO.	極数 CKT.

REVISED EC NO.: J2014-0417 DRWN:FSATO 2015/04/14 CHKD:KTAKAHASHI 2015/04/17 APPR:YNOGAWA 2015/04/23	GENERAL TOLERANCES (UNLESS SPECIFIED)		DIMENSION STYLE	SCALE	DESIGN UNITS	THIRD ANGLE PROJECTION
	0.25 UNDER UNDER ±0.03		MM ONLY	---	METRIC	
	0.25 OVER 0.5 UNDER ±0.05		DRAWN BY DATE	TITLE		
	0.5 OVER 1.0 UNDER ±0.1		MTAKAHASHI 104 2013/07/24	1.0 FPC CONN. ZIF SMT (SHEET 1 OF 2)		
1.0 OVER 10 UNDER ±0.2		CHECKED BY DATE	MATERIAL NO.			
10 OVER 30 UNDER ±0.25		KTAKAHASHI 2013/07/24	SD-52207-071			
30 OVER ±0.3		APPROVED BY DATE	SHEET NO.			
ANGULAR ±3 °		YNOGAWA 2013/10/07	1 OF 2			
DRAFT WHERE APPLICABLE MUST REMAIN WITHIN DIMENSIONS		MATERIAL NO.	DOCUMENT NO.			
		SEE CHART	SD-52207-071			
		SIZE A3	THIS DRAWING CONTAINS INFORMATION THAT IS PROPRIETARY TO MOLEX INCORPORATED AND SHOULD NOT BE USED WITHOUT WRITTEN PERMISSION			



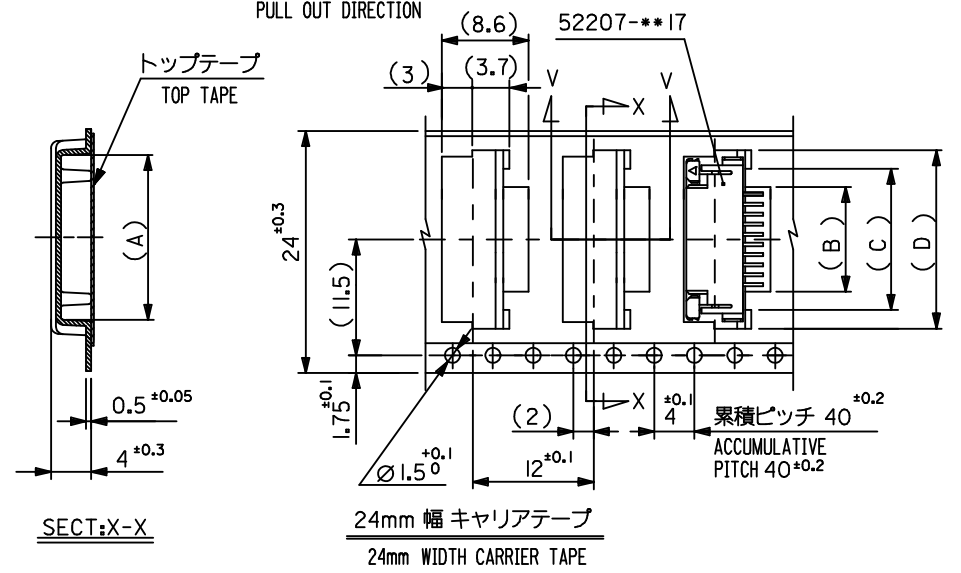
断面D-D
SECT.D-D



下面図
BOTTOM VIEW

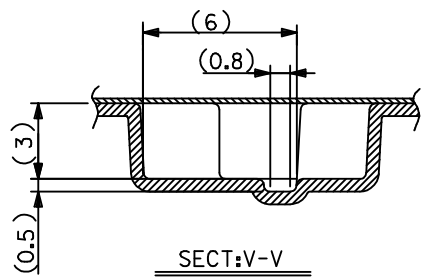
REVISED EC NO: J2014-0417 DRW:FSATO 2015/04/14 CHKD:KATAHASHI 2015/04/17 APPR:YNOGAWA 2015/04/23	GENERAL TOLERANCES (UNLESS SPECIFIED)			DIMENSION STYLE MM ONLY		SCALE ---	DESIGN UNITS METRIC	THIRD ANGLE PROJECTION		
	0.25 UNDER	UNDER	±0.03	DRAWN BY	DATE	TITLE				
	0.25 OVER	0.5 UNDER	±0.05	MTAKAHASHI04	2013/07/24	1.0 FPC CONN ZIF SMT				
	0.5 OVER	1.0 UNDER	±0.1	CHECKED BY	DATE	SHEET 2 OF 2				
	1.0 OVER	10 UNDER	±0.2	KATAHASHI	2013/07/24	molex				
10 OVER	30 UNDER	±0.25	APPROVED BY	DATE	DOCUMENT NO.					SHEET NO.
30 OVER		±0.3	YNOGAWA	2013/10/07	SEE SHEET 1 OF 2		SD-52207-071		2 OF 2	
	ANGULAR	±3 °	DRAFT WHERE APPLICABLE MUST REMAIN WITHIN DIMENSIONS			THIS DRAWING CONTAINS INFORMATION THAT IS PROPRIETARY TO MOLEX INCORPORATED AND SHOULD NOT BE USED WITHOUT WRITTEN PERMISSION				
			SIZE	A3						

引き出し方向
PULL OUT DIRECTION



SECT:X-X

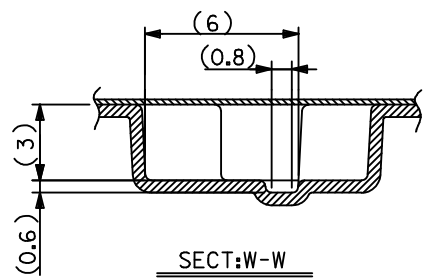
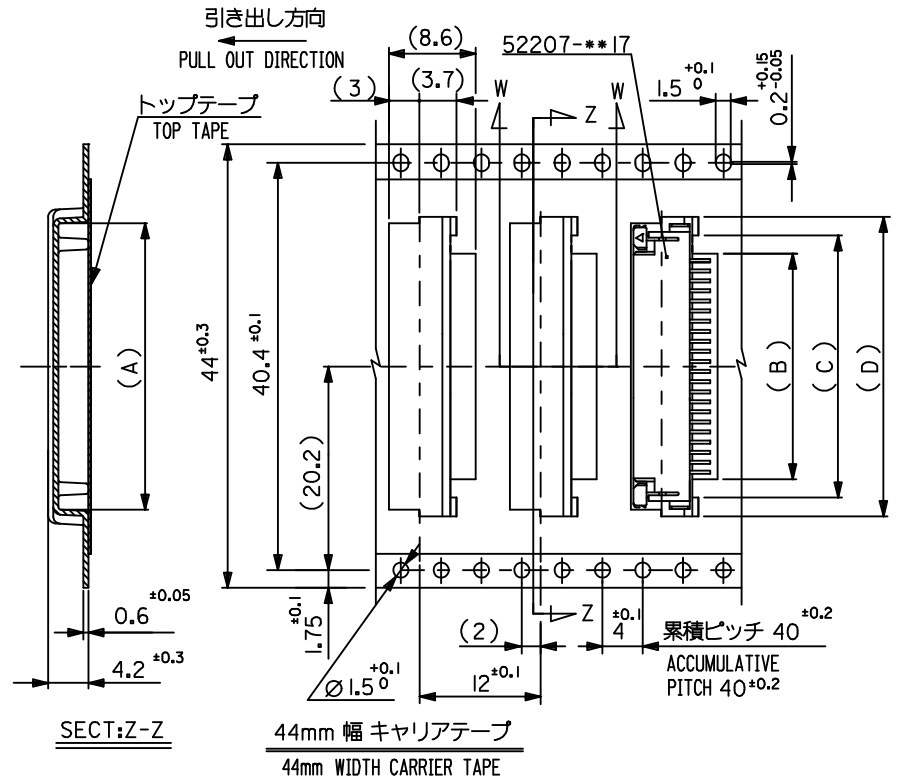
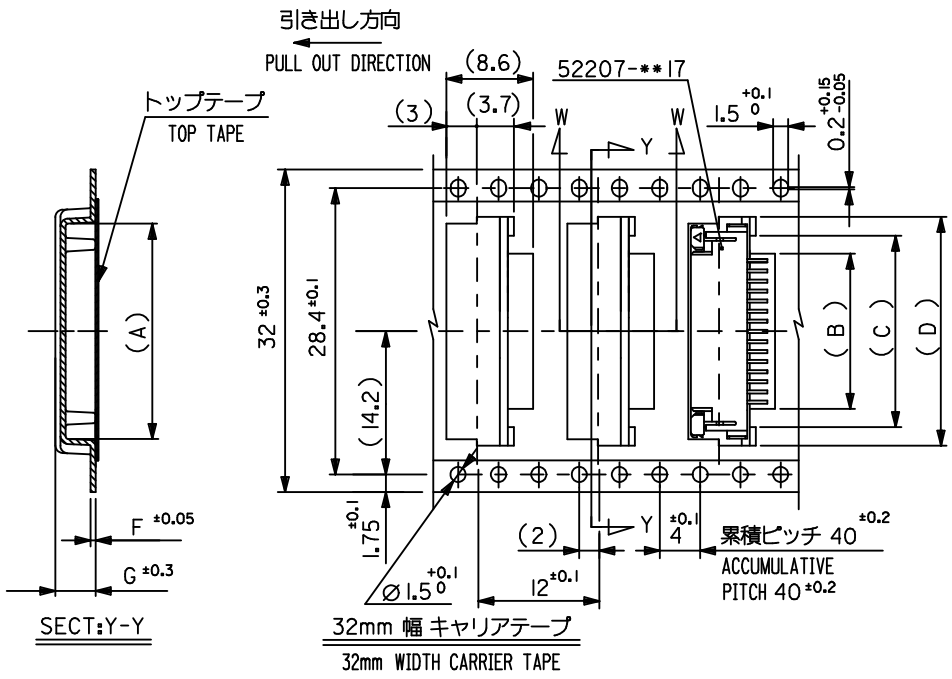
24mm 幅 キャリアテープ
24mm WIDTH CARRIER TAPE



SECT:V-V

24	25.5	18.5	15	11.7	17.3	52207-1190	11	
		17.5	14	10.7	16.3	4 -1090	10	
		16.5	13	9.7	15.3	-0990	9	
		15.5	12	8.7	14.3	-0890	8	
		14.5	11	7.7	13.3	-0790	7	
		13.5	10	6.7	12.3	52207-0690	6	
キャリアテープ幅 CARRIER TAPE WIDTH		E	(D)	(C)	(B)	(A)	ENG. NO.	極致 CKT.

REVISED EC NO: J2014-0417 DRWN:FSATO 2015/04/14 CHKD:KATAHASHI 2015/04/17 APPR:YNOGAWA 2015/04/23	GENERAL TOLERANCES (UNLESS SPECIFIED)		DIMENSION STYLE MM ONLY		SCALE ---	DESIGN UNITS METRIC	THIRD ANGLE PROJECTION
	0.25 UNDER	UNDER	±0.03	DRAWN BY	DATE	TITLE	
	0.25 OVER	0.5 UNDER	±0.05	MTAKAHASHI	104 2013/07/24	EMBOSSED TAPE PACKAGE FOR 52207-***17 SHEET 1 OF 3	
	0.5 OVER	1.0 UNDER	±0.1	CHECKED BY	DATE	molex	
	1.0 OVER	10 UNDER	±0.2	KTAKAHASHI	2013/07/24	DOCUMENT NO.	SHEET NO.
10 OVER	30 UNDER	±0.25	APPROVED BY	DATE	SD-52207-072	1 OF 3	
30 OVER		±0.3	YNOGAWA	2013/10/07	SEE CHART		
ANGULAR ±3 °			MATERIAL NO.		THIS DRAWING CONTAINS INFORMATION THAT IS PROPRIETARY TO MOLEX INCORPORATED AND SHOULD NOT BE USED WITHOUT WRITTEN PERMISSION		
DRAFT WHERE APPLICABLE MUST REMAIN WITHIN DIMENSIONS			SIZE A3				

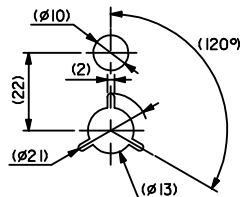
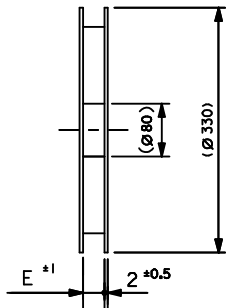
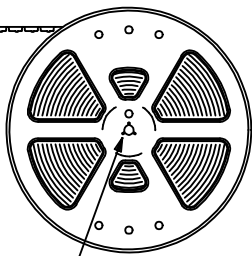


32	33.5	4.0	0.5	23.5	20	16.7	22.35	52207-1690	16
		4.2	0.6	22.5	19	15.7	21.35	4-1590	15
		4.2	0.6	21.5	18	14.7	20.35	7-1490	14
		4.2	0.6	19.5	16	12.7	18.35	52207-1290	12
キャリアテープ幅 CARRIER TAPE WIDTH	E	(G)	(F)	(D)	(C)	(B)	(A)	ENG. NO.	極致 CKT.

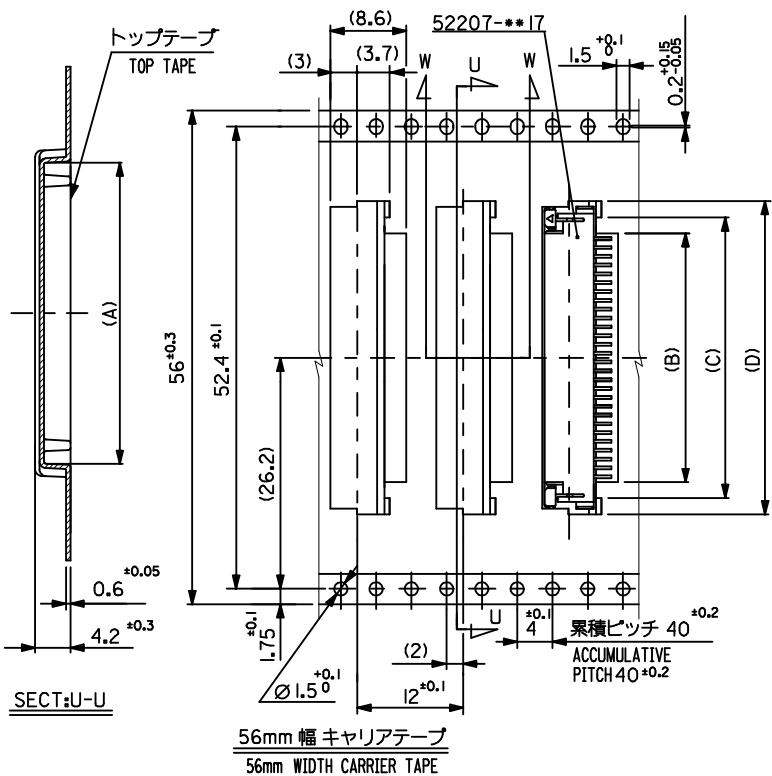
44	45.5	32.5	29	25.7	31.35	52207-2590	25
		31.5	28	24.7	30.35	4-2490	24
		29.5	26	22.7	28.35	-2290	22
		27.5	24	20.7	26.35	-2090	20
		25.5	22	18.7	24.35	7-1890	18
		24.5	21	17.7	23.35	52207-1790	17
キャリアテープ幅 CARRIER TAPE WIDTH	E	(D)	(C)	(B)	(A)	ENG. NO.	極致 CKT.

REVISED EC NO: J2014-04/17 DRWN:FSATO 2015/04/14 CHKD:KATAHASHI 2015/04/17 APPR:YNOGAWA 2015/04/23	GENERAL TOLERANCES (UNLESS SPECIFIED)		DIMENSION STYLE MM ONLY		SCALE ---	DESIGN UNITS METRIC	THIRD ANGLE PROJECTION	
	0.25 UNDER UNDER ±0.03 0.25 OVER 0.5 UNDER ±0.05 0.5 OVER 1.0 UNDER ±0.1 1.0 OVER 10 UNDER ±0.2 10 OVER 30 UNDER ±0.25 30 OVER ±0.3	DRAWN BY MTAKAHASHI	DATE 104 2013/07/24	TITLE EMBOSSED TAPE PACKAGE FOR 52207-**17 SHEET 2 OF 3				
	10 OVER 30 UNDER ±0.2 30 OVER ±0.3	CHECKED BY KTAKAHASHI	DATE 2013/07/24	APPROVED BY YNOGAWA				
	ANGULAR ±3 °	DRAFT WHERE APPLICABLE MUST REMAIN WITHIN DIMENSIONS		MATERIAL NO. SEE CHART	DOCUMENT NO. SD-52207-072	SHEET NO. 2 OF 3		

引き出し方向
PULL OUT DIRECTION



DETAIL "F"



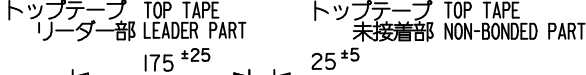
56mm 幅キャリアテープ
56mm WIDTH CARRIER TAPE

注記

1. 製品番号 52207-***17 の梱包状態はアクチュエータがロックした状態とする。
詳細寸法については図面 SD-52207-071 を参照下さい。
IN THE PACKAGE, ACTUATOR OF PART NO. 52207-***17 SHOULD BE LOCKED
RE DETAILED DIMENSIONS, SEE SD-52207-071

2. 梱包数量 : 1000個/リール
NUMBER OF CONNECTORS : 1000PCS/REEL

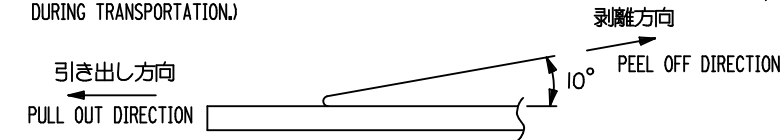
3. リードテープ長さ(LEAD TAPE LENGTH)



引き出し方向
PULL OUT DIRECTION



4. トップテープの剥離強度 : (剥離方向は下図参照)
60gf MAX. 尚、本規格値は、出荷時に適用。(但し、輸送時に剥離が発生しない事。)
PEELING OFF FORCE OF TOP TAPE : 60gf MAX. (PEELING DIRECTION AS SHOWN IN FOLLOWING FIG.)
THIS REQUIREMENT SHOULD BE APPLIED AT SHIPMENT. (PEEL OFF SHOULD NOT BE ALLOWED, DURING TRANSPORTATION.)



5. 材料 (MATERIAL)

キャリアテープ (CARRIER TAPE) : ポリプロピレン (POLYPROPYLENE)
トップテープ (TOPTAPE) : PET, PE, PEF
リール (REEL) : ポリスチレン (PS) <リサイクル材を含む>
POLYSTYREN (PS) <RECYCLE MATERIAL CONTAINED>

56	57.5	41.5	38	34.7	40.35	52207-3490	34
		37.5	34	30.7	36.35	52207-3090	30
		35.5	32	28.7	34.35	52207-2890	28
キャリアテープ幅 CARRIER TAPE WIDTH	E	(D)	(C)	(B)	(A)	ENG. NO.	極致 CKT.

REVISED EC NO: J2014-0417 DRWN:FSATO 2015/04/14 CHKD:KAKAHASHI 2015/04/17 APPR:YNOGAWA 2015/04/23	GENERAL TOLERANCES (UNLESS SPECIFIED)		DIMENSION STYLE MM ONLY		SCALE ---	DESIGN UNITS METRIC	THIRD ANGLE PROJECTION	
	0.25 UNDER	UNDER	±0.03	DRAWN BY MTAKAHASHI	DATE 104 2013/07/24	TITLE EMBOSSD TAPE PACKAGE FOR 52207-***17 SHEET 3 OF 3		
	0.25 OVER	0.5 UNDER	±0.05	CHECKED BY KAKAHASHI	DATE 2013/07/24			
	0.5 OVER	1.0 UNDER	±0.1	APPROVED BY YNOGAWA	DATE 2013/10/07			
	1.0 OVER	10 UNDER	±0.2	MATERIAL NO.	DOCUMENT NO.			SHEET NO.
	10 OVER	30 UNDER	±0.25	SEE CHART	SD-52207-072			3 OF 3
	30 OVER		±0.3	THIS DRAWING CONTAINS INFORMATION THAT IS PROPRIETARY TO MOLEX INCORPORATED AND SHOULD NOT BE USED WITHOUT WRITTEN PERMISSION				
	ANGULAR		±3 °					
	DRAFT WHERE APPLICABLE MUST REMAIN WITHIN DIMENSIONS							