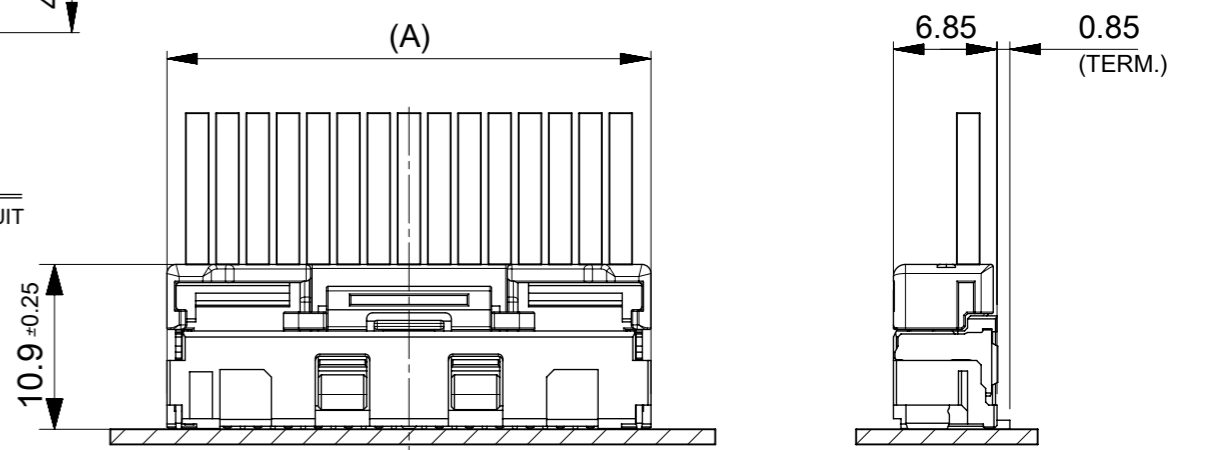
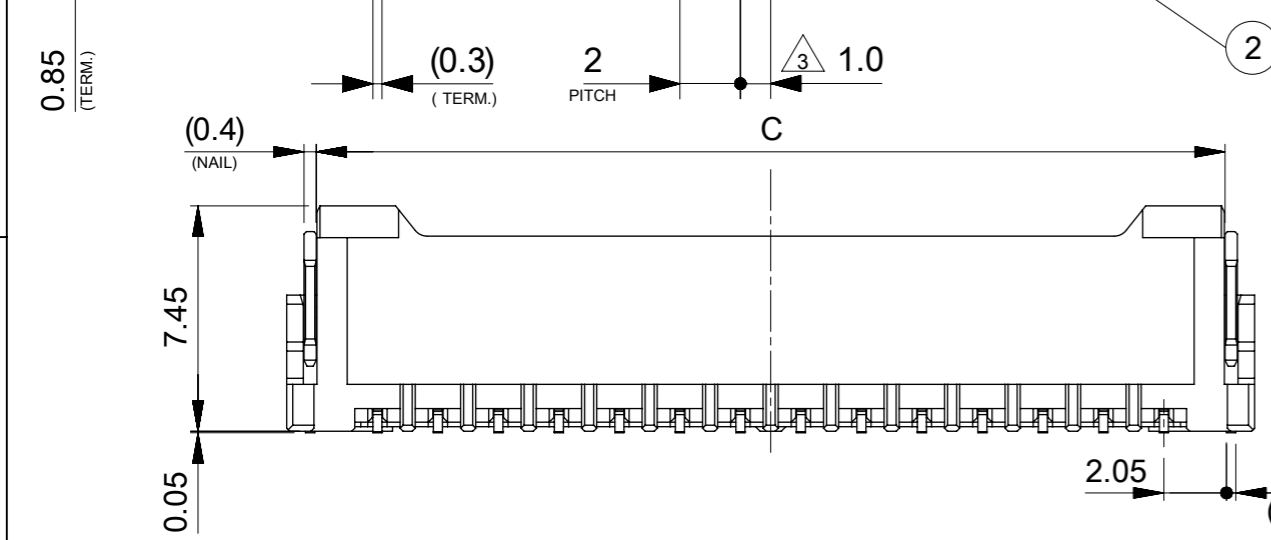
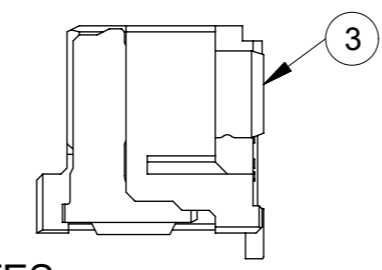
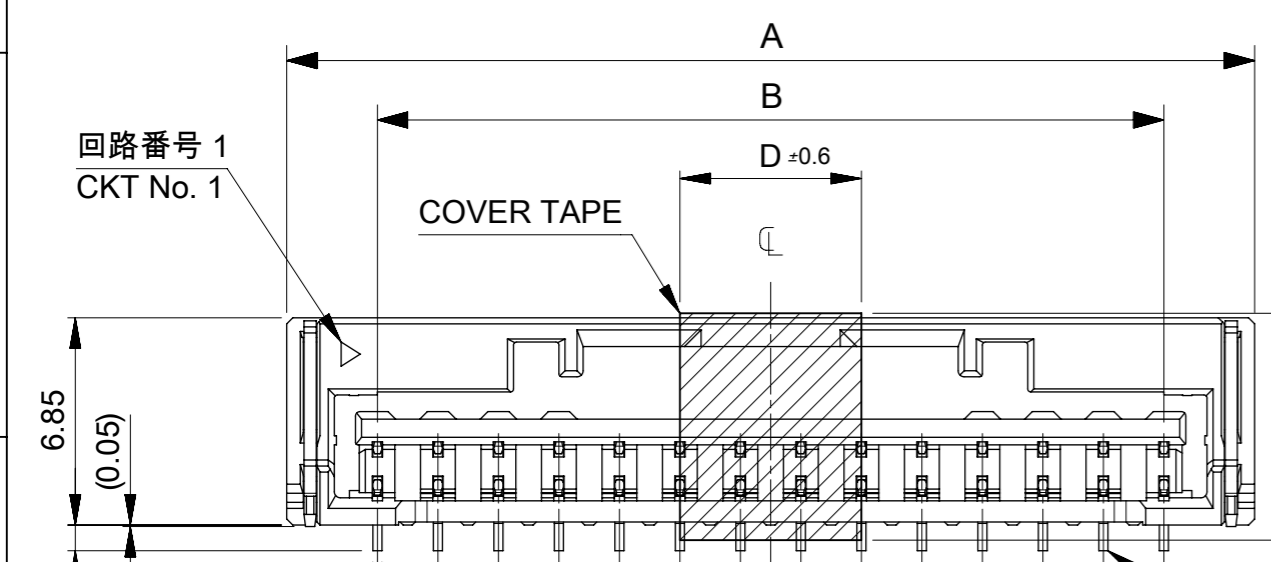


2~5極カバーテープ形状
COVER TAPE FIGURE OF 2-5 CIRCUIT



嵌合図 MATED CONNECTOR
(SCALE : 2-1)



NOTES

1. 嵌合相手 : 502439-**00
MATE WITH : 502439-**00
2. 端子テール部 及び ネイルの平坦度: 0.1MAX
TAIL AND NAIL COPLANARITY TO BE 0.1 MAX.
3. 極数/2 = 偶数に適用
APPLY FOR CKT. SIZE /2 = EVEN.
4. 端子テール部 及び ネイルに錫めっきを使用しているため、
外観に摺動痕が付く場合がございます。
THE WOUND OF FRICTION MIGHT ADHERE TO EXTERNALS
BECAUSE THE TIN PLATING IS USED FOR THE NAIL AND NAIL.
5. 本製品のプラスチック部に黒点等が確認される場合や
色合いが異なる場合がありますが、製品性能に影響はありません。
THE BLACK SPOT ETC. MIGHT BE CONFIRMED TO THE PLASTIC PART
OF THIS PRODUCT AND THE SHADE MIGHT BE DIFFERENT.
6. 梱包形状詳細については、5024431570PSD000を参照下さい。
PLEASE REFER TO 5024431570PSD000 FOR THE DETAILED FORM OF THE PACKAGE.

6.0	32	28	34	502443-1560	15
6.0	30	26	32	502443-1460	14
6.0	28	24	30	502443-1360	13
6.0	26	22	28	502443-1260	12
					11
					10
6.0	20	16	22	502443-0960	9
6.0	18	14	20	502443-0860	8
6.0	16	12	18	502443-0760	7
6.0	14	10	16	502443-0660	6
12.8	12	8	14	502443-0560	5
10.8	10	6	12	502443-0460	4
8.8	8	4	10	502443-0360	3
6.8	6	2	8	502443-0260	2
D	C	B	A	EMBOSSED TAPE PACKAGE 注文番号 ORDER NO.	極数 CKT.NO.

番号 NO.	部品 PART	材質 MATERIAL
①	ハウジング HOUSING	ポリアミド UL94V-0 色 : ナチュラル POLYAMIDE UL94V-0 COLOR:NATURAL
②	ターミナル TERMINAL	銅合金 COPPER ALLOY
		錫めっき : 1.0 micro-meter MIN. MATTE TIN PLATING(TAIL AREA) ニッケルめっき(下地) : 1.0 micro-meter MIN. NICKEL (UNDER PLATING)
③	ネイル NAIL	銅合金 COPPER ALLOY
		錫めっき : 1.0 micro-meter MIN. MATTE TIN PLATING ニッケルめっき(下地) : 1.0 micro-meter MIN. NICKEL (UNDER PLATING)

RELEASE STATUS	P1	RELEASE DATE	07.03.2017	11:17:21
----------------	----	--------------	------------	----------

THIS DRAWING CONTAINS INFORMATION THAT IS PROPRIETARY TO MOLEX ELECTRONIC TECHNOLOGIES, LLC AND SHOULD NOT BE USED WITHOUT WRITTEN PERMISSION

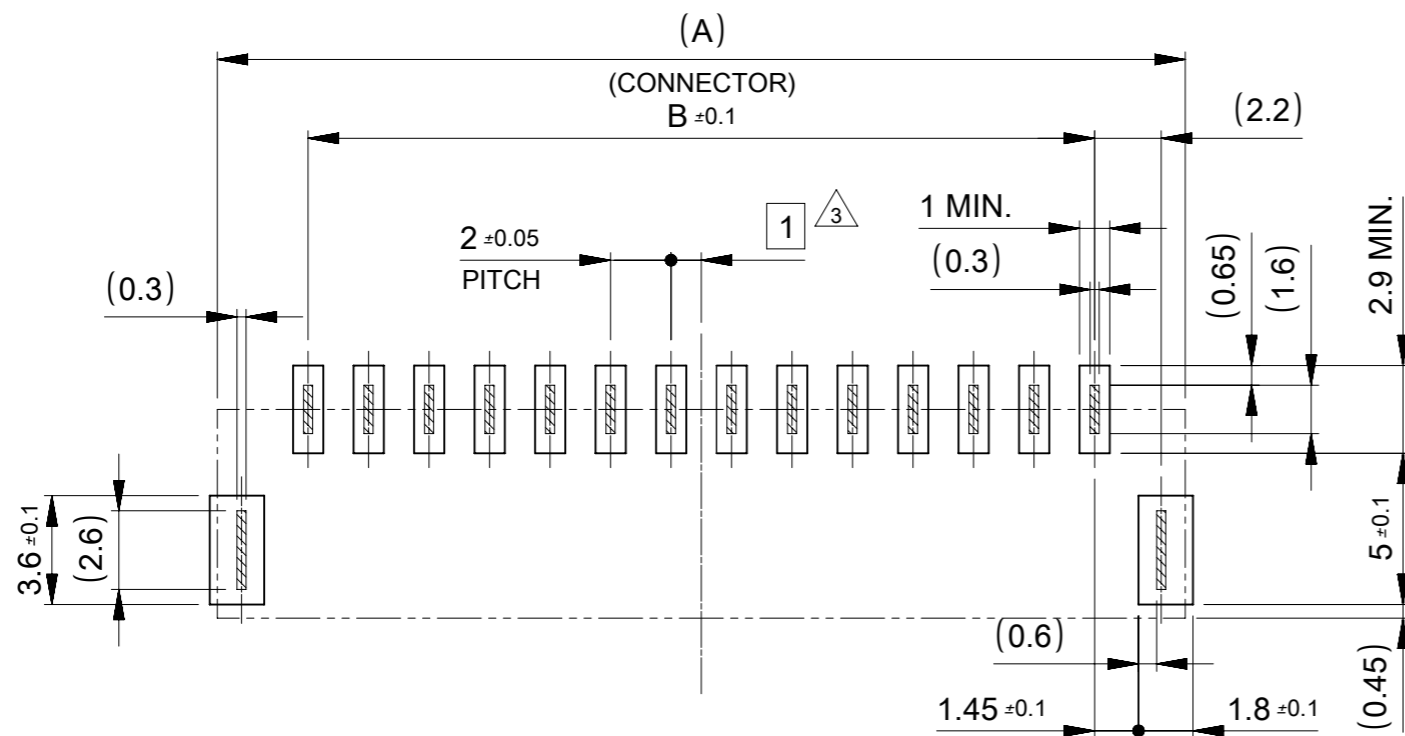
RELEASED 2016/09/20 2017/03/07	EC NO: 113635 DRWN: RWATANABE01 CHK'D: AIDA APPR: TKANEKO	GENERAL TOLERANCES (UNLESS SPECIFIED)		DIMENSION UNITS	SCALE
		ANGULAR TOL ± 3.0 °		MM	4:1
		4 PLACES ± 0.2	3 PLACES ± 0.2	DRWN BY	DATE
		2 PLACES ± 0.2	1 PLACE ± 0.2	RWATANABE01	2016/09/20
0 PLACES ± 0.2	DRAFT WHERE APPLICABLE MUST REMAIN WITHIN DIMENSIONS		CHK'D BY	DATE	
			AIDA	2017/03/07	
			APPR BY	DATE	
			TKANEKO	2017/03/07	
			DRAWING SIZE	THIRD ANGLE PROJECTION	
			A3		

molex[®]

CLIK-MATE 2.0
SINGLE ROW ST TYPE REC. ASSY
WITH COVER TAPE

PRODUCT CUSTOMER DRAWING

SERIES	MATERIAL NUMBER	CUSTOMER
502443	SEE TABLE	GENERAL
DOCUMENT NUMBER	DOC TYPE	DOC PART
5024431508	PSD	000
SHEET NUMBER		1 OF 2

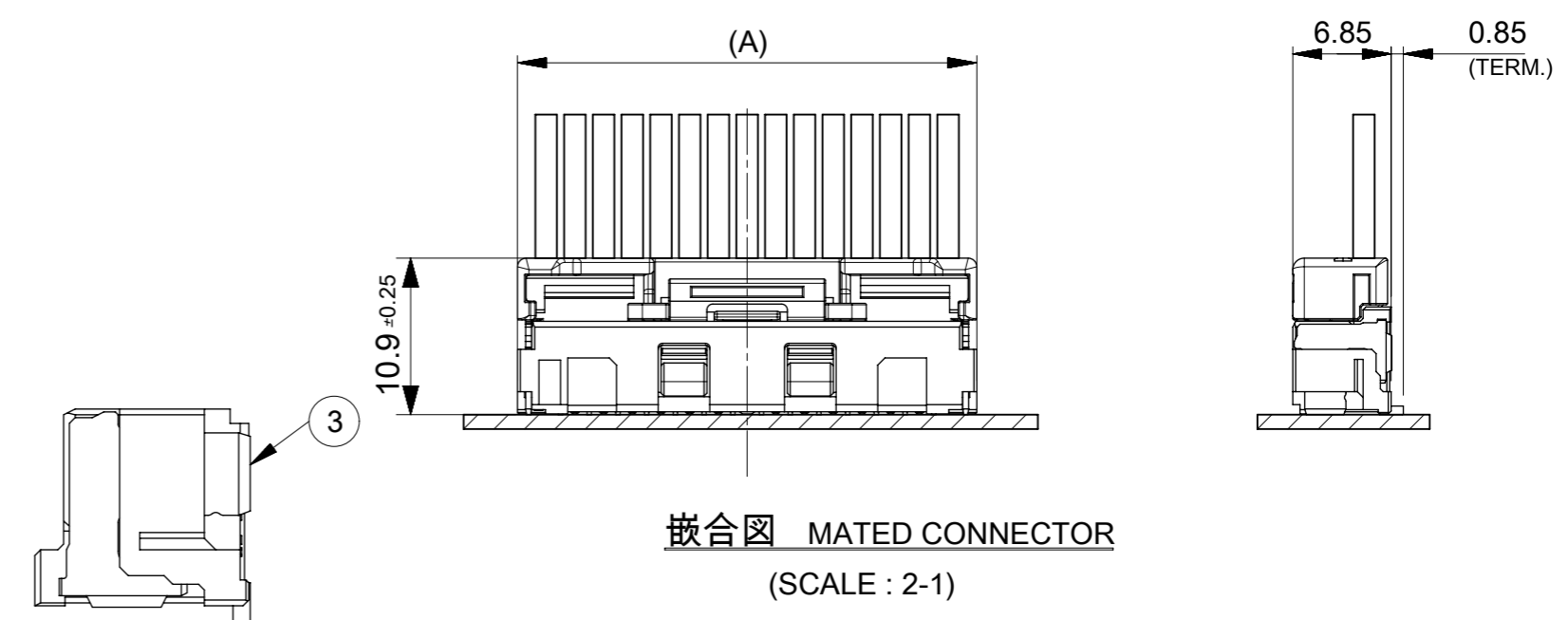
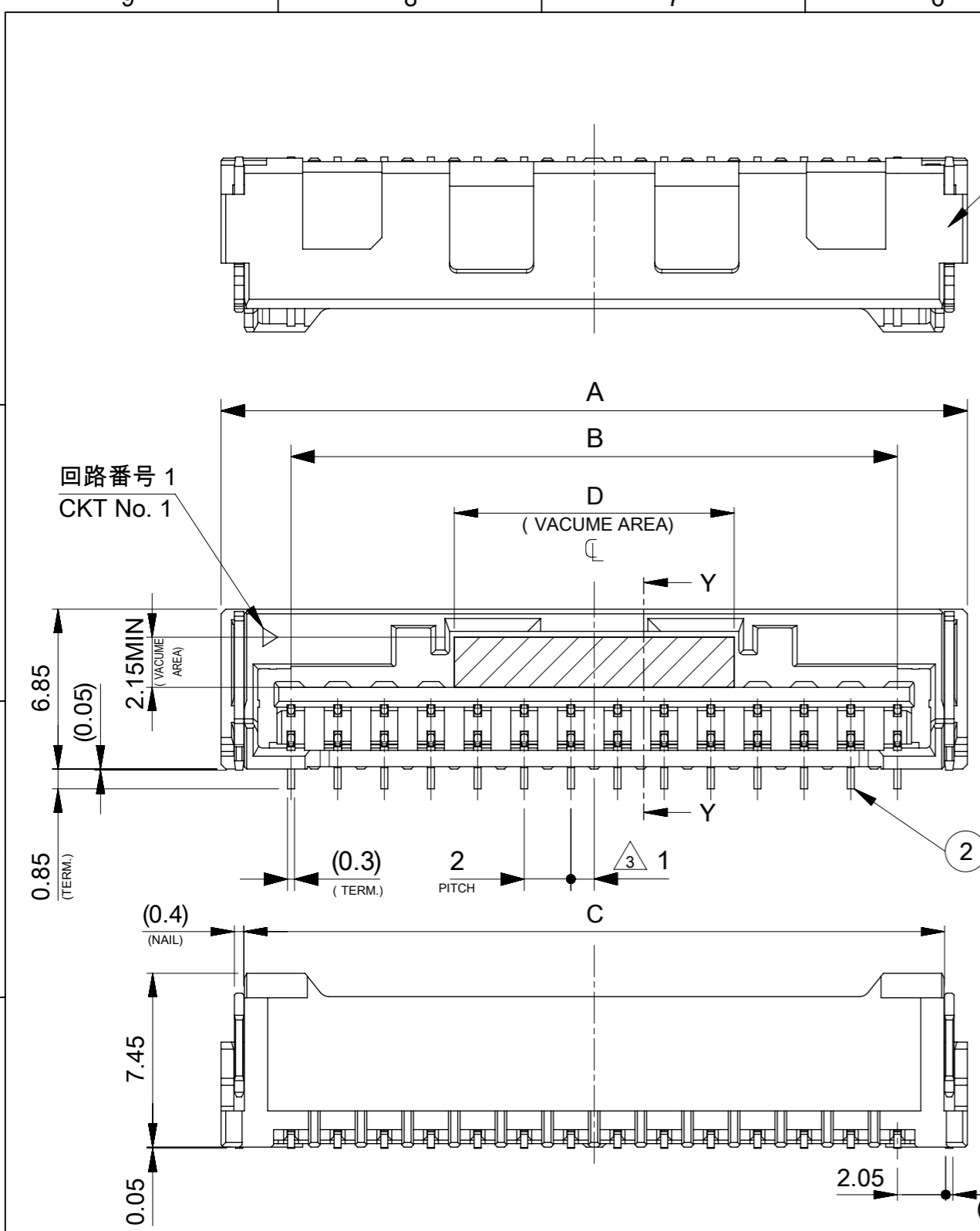


基板パターンレイアウト(参考)
RECCOMENDED P.C.B PATTERN LAYOUT (REF.)

THIS DRAWING CONTAINS INFORMATION THAT IS PROPRIETARY TO MOLEX ELECTRONIC TECHNOLOGIES, LLC AND SHOULD NOT BE USED WITHOUT WRITTEN PERMISSION

EC NO: 113635 DRWN: RWATANABE01 CHK'D: AIDA APPR: TKANEKO	2016/09/20 2017/03/07	2017/03/07 2017/03/07	GENERAL TOLERANCES (UNLESS SPECIFIED) ANGULAR TOL ± 3.0 °	DIMENSION UNITS: MM SCALE: 4:1	
	4 PLACES ± 0.2 3 PLACES ± 0.2 2 PLACES ± 0.2 1 PLACE ± 0.2 0 PLACES ± 0.2	DRWN BY: RWATANABE01 DATE: 2016/09/20	CHK'D BY: AIDA DATE: 2017/03/07	PRODUCT CUSTOMER DRAWING	
	DRAFT WHERE APPLICABLE MUST REMAIN WITHIN DIMENSIONS	APPR BY: TKANEKO DATE: 2017/03/07	DRAWING SIZE: A3 THIRD ANGLE PROJECTION	SERIES: 502443 MATERIAL NUMBER: SEE TABLE CUSTOMER: GENERAL	
	A	REV:		DOCUMENT NUMBER: 5024431508 DOC TYPE: PSD DOC PART: 000 SHEET NUMBER: 2 OF 2	
	RELEASED	EC NO: 113635 DRWN: RWATANABE01 CHK'D: AIDA APPR: TKANEKO	2016/09/20 2017/03/07	GENERAL TOLERANCES (UNLESS SPECIFIED) ANGULAR TOL ± 3.0 °	

RELEASE STATUS	P1	RELEASE DATE	07.03.2017	11:17:21
----------------	----	--------------	------------	----------



NOTES

1. 嵌合相手 : 502439-**00
MATE WITH : 502439-**00
2. 端子テール部 及び ネイルの平坦度: 0.1MAX
TAIL AND NAIL COPLANARITY TO BE 0.1 MAX.
3. 極数/2 = 偶数に適用
APPLY FOR CKT. SIZE /2 = EVEN.
4. 端子テール部 及び ネイルに錫めっきを使用しているため、
外観に摺動痕が付く場合が御座います。
THE WOUND OF FRICTION MIGHT ADHERE TO EXTERNALS
BECAUSE THE TIN PLATING IS USED FOR THE NAIL AND NAIL.
5. 本製品のプラスチック部に黒点等が確認される場合や
色合いが異なる場合がありますが、製品性能に影響はありません。
THERE IS NO INFLUENCE IN THE PRODUCT PERFORMANCE THOUGH
THE BLACK SPOT ETC. MIGHT BE CONFIRMED TO THE PLASTIC PART
OF THIS PRODUCT AND THE SHADE MIGHT BE DIFFERENT.
6. ELV 及び RoHS 適合品
ELV AND RoHS COMPLIANT

16	32	28	34	502443-1570	15
12	30	26	32	502443-1470	14
12	28	24	30	502443-1370	13
12	26	22	28	502443-1270	12
12	20	16	22	502443-0970	9
12	18	14	20	502443-0870	8
10	16	12	18	502443-0770	7
8	14	10	16	502443-0670	6
6	12	8	14	502443-0570	5
4	10	6	12	502443-0470	4
2.9	8	4	10	502443-0370	3
3.7	6	2	8	502443-0270	2
D	C	B	A	EMBOSSED TAPE PACKAGE 注文番号 ORDER NO.	極数 CKT.NO.

番号 NO.	部品 PART	材質 MATERIAL
①	ハウジング HOUSING	耐熱性樹脂 UL94V-0 色 : ナチュラル HEATPROOF RESIN UL94V-0 COLOR:NATURAL
②	ターミナル TERMINAL	銅合金 COPPER ALLOY
		錫めっき : 1.0 micro-meter MIN. TIN (TAIL AREA) ニッケルめっき(下地) : 1.0 micro-meter MIN. NICKEL (UNDER PLATING)
③	ネイル NAIL	銅合金 COPPER ALLOY
		錫めっき : 1.0 micro-meter MIN. TIN ニッケルめっき(下地) : 1.0 micro-meter MIN. NICKEL (UNDER PLATING)

RELEASE STATUS	P1	RELEASE DATE	18.05.2016	09:36:32
----------------	----	--------------	------------	----------

THIS DRAWING CONTAINS INFORMATION THAT IS PROPRIETARY TO MOLEX ELECTRONIC TECHNOLOGIES, LLC AND SHOULD NOT BE USED WITHOUT WRITTEN PERMISSION

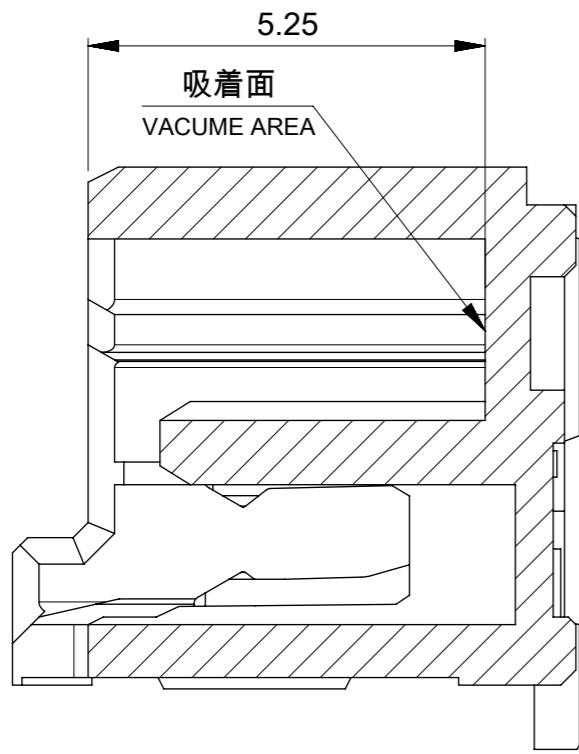
REVISED	2016/05/18	DRWN: AISHIKAWA	GENERAL TOLERANCES (UNLESS SPECIFIED)	DIMENSION UNITS	SCALE	
	2016/05/18	CHK'D: KOMURAKAMI		MM	4:1	
	2016/05/18	APPR: TKANEKO		ANGULAR TOL ± 3.0 °	DRWN BY	DATE
	EC NO: 105083	REV		4 PLACES ± 0.2	AISHIKAWA	2016/04/19
			3 PLACES ± 0.2	CHK'D BY	DATE	
			2 PLACES ± 0.2	KOMURAKAMI	2016/04/28	
			1 PLACE ± 0.2	APPR BY	DATE	
			0 PLACES ± 0.2	TKANEKO	2016/04/28	
			DRAFT WHERE APPLICABLE MUST REMAIN WITHIN DIMENSIONS	DRAWING SIZE	THIRD ANGLE PROJECTION	
				A3		

molex

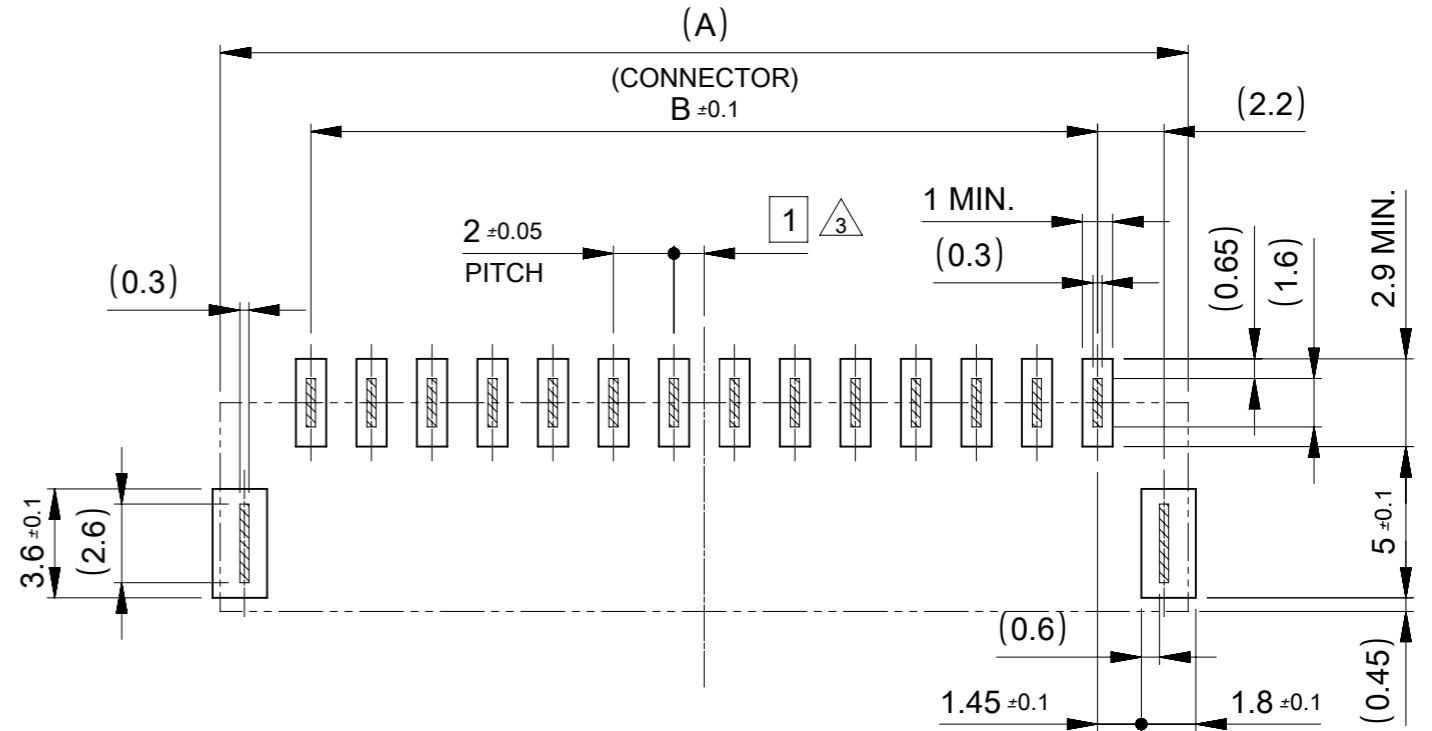
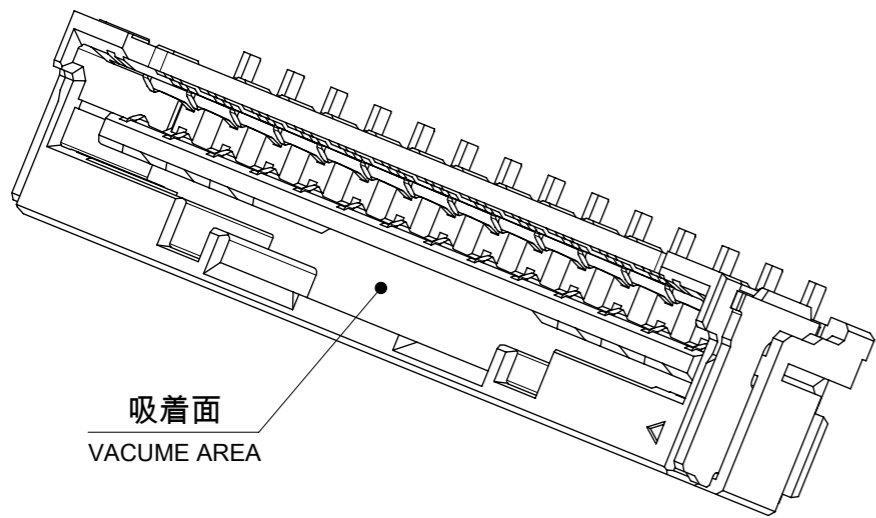
CLIK-MATE 2.0MM PITCH
W/B CONN. ST TYPE REC. ASSY 2-15CKT

PRODUCT CUSTOMER DRAWING

SERIES	MATERIAL NUMBER	CUSTOMER	
502443	SEE TABLE	GENERAL	
DOCUMENT NUMBER	DOC TYPE	DOC PART	SHEET NUMBER
5024431509	PSD	000	1 OF 2



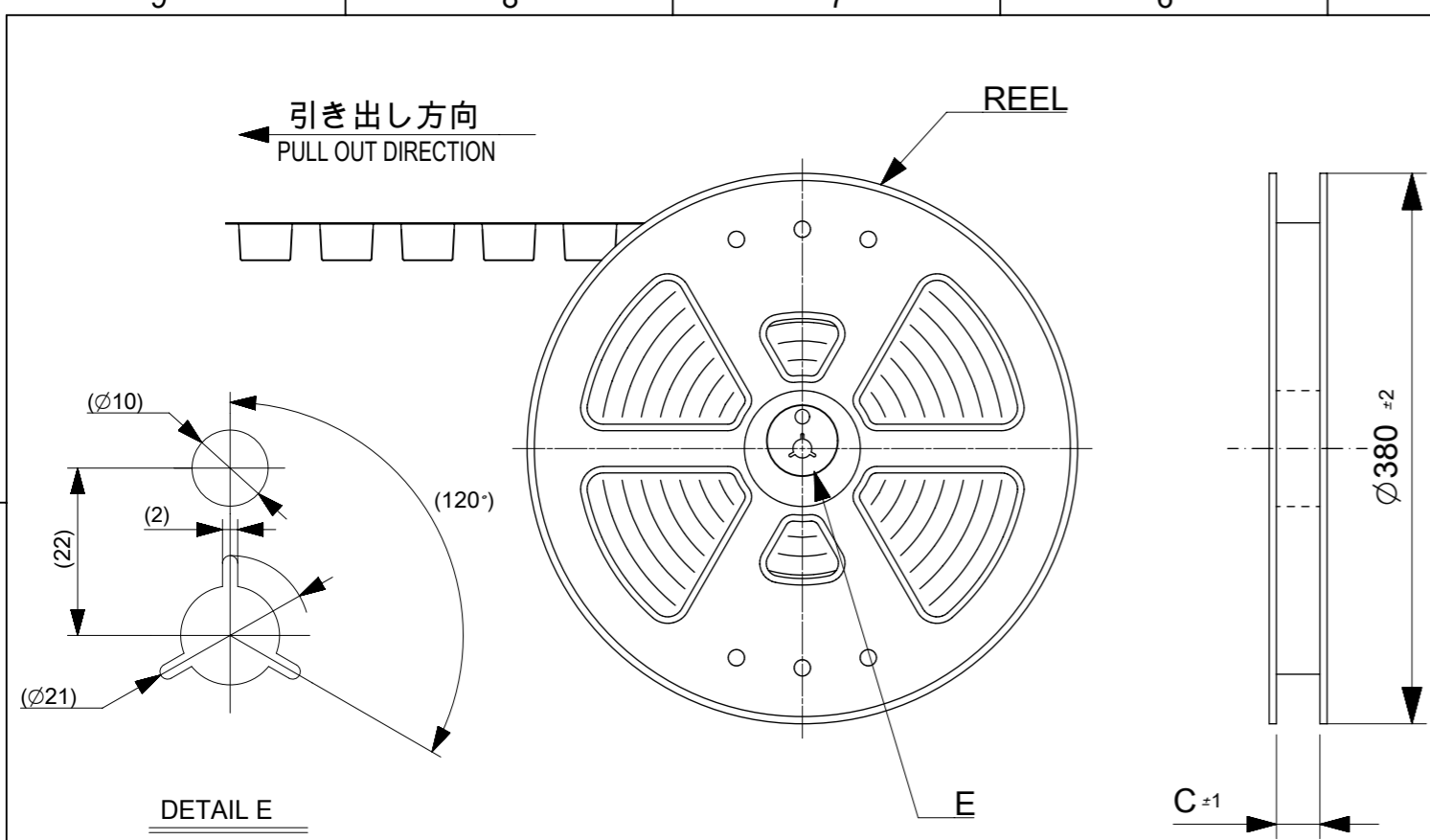
SECTION Y-Y
(SCALE :10-1)



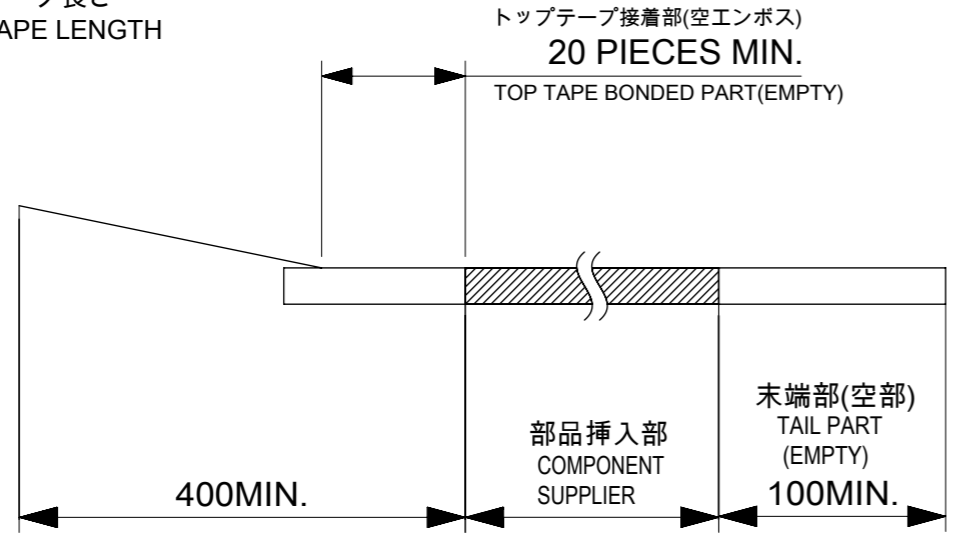
基板パターンレイアウト(参考)
RECOMMENDED P.C.B PATTERN LAYOUT (REF.)

THIS DRAWING CONTAINS INFORMATION THAT IS PROPRIETARY TO MOLEX ELECTRONIC TECHNOLOGIES, LLC AND SHOULD NOT BE USED WITHOUT WRITTEN PERMISSION

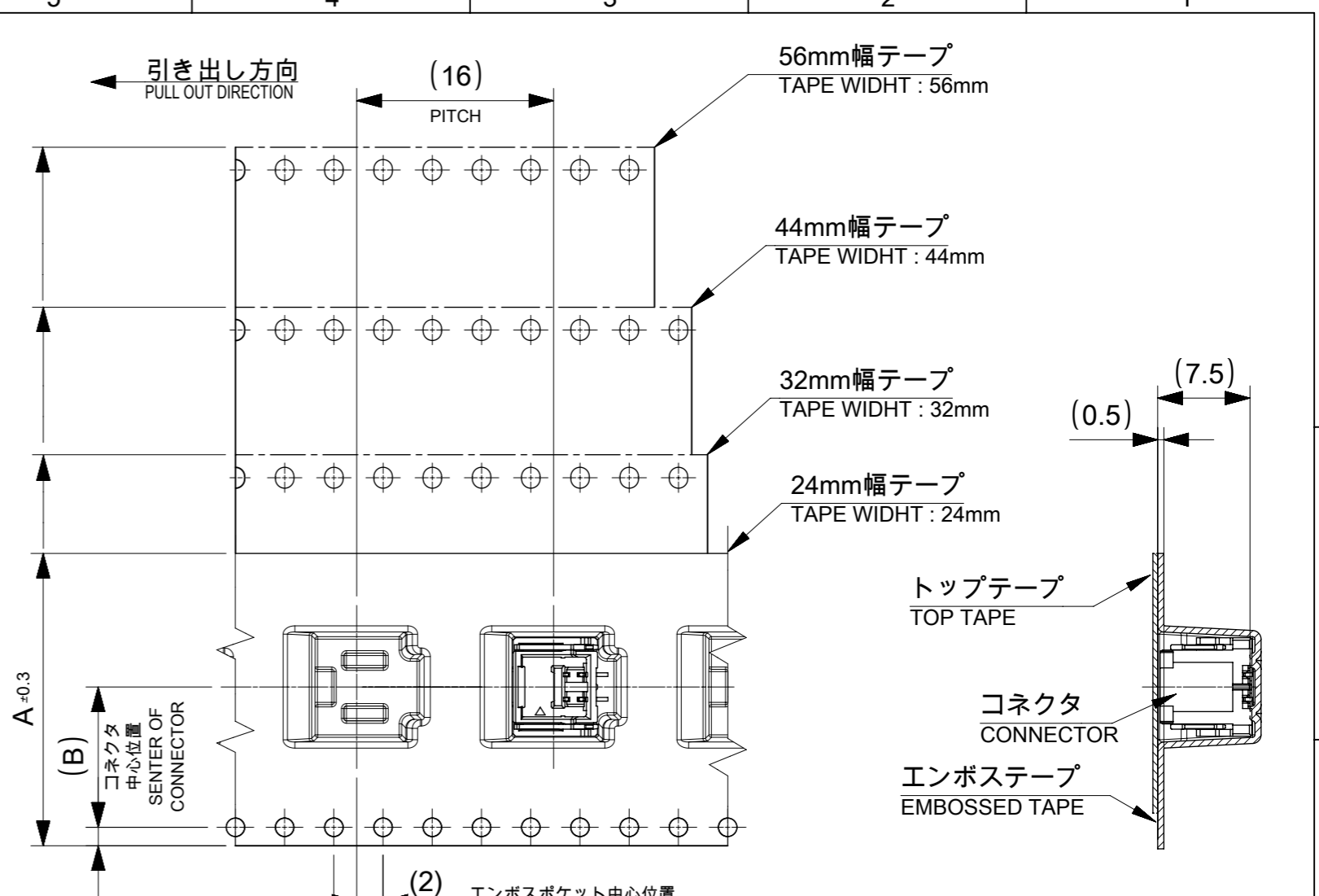
REVISED	2016/05/18	GENERAL TOLERANCES (UNLESS SPECIFIED)		DIMENSION UNITS	SCALE		
	2016/05/18	ANGULAR TOL ± 3.0 °		MM	4:1		
	2016/05/18	4 PLACES ± 0.2	DRWN BY	DATE			
		3 PLACES ± 0.2	AISHIKAWA	2016/04/19			
		2 PLACES ± 0.2	CHK'D BY	DATE			
	1 PLACE ± 0.2	KOMURAKAMI	2016/04/28		CLIK-MATE 2.0MM PITCH W/B CONN. ST TYPE REC. ASSY 2-15CKT PRODUCT CUSTOMER DRAWING		
	0 PLACES ± 0.2	APPR BY	DATE				
		TKANEKO	2016/04/28				
		DRAWING SIZE	THIRD ANGLE PROJECTION				
		A3					
DRAFT WHERE APPLICABLE MUST REMAIN WITHIN DIMENSIONS				SERIES	MATERIAL NUMBER	CUSTOMER	
				502443	SEE TABLE	GENERAL	
				DOCUMENT NUMBER	DOC TYPE	DOC PART	SHEET NUMBER
				5024431509	PSD	000	2 OF 2



- NOTE**
- 製品詳細寸法については、5024431509PSD000及び5024431508PSD000を参照下さい。
PLEASE REFER TO 5024431509PSD000 OR 5024431508PSD000 FOR THE DETAILED DIMENSION OF THE CONNECTOR.
 - 梱包数量：650個 / リール。
NUMBER OF CONNECTORS : 650 PIECES/REEL
 - リードテープ長さ
LEAD TAPE LENGTH



- 4. 材料**
- MATERIAL**
- キャリアテープ：ポリスチレン
CARRIER TAPE: POLYSTYRENE
- トップテープ：ポリエステル、ポリエチレン、ポリエチレンテレフタレート
TOP TAPE: POLYESTER, POLYETHELENE, POLYETHYLENE TEREPHTHALATE
- リール：ポリスチレン <リサイクル材を含む>
REEL: POLYSTYRENE <RECYCLE MATERIAL CONTAINED>



57.5	26.2	56	502443-15**	15
57.5	26.2	56	502443-14**	14
45.5	20.2	44	502443-13**	13
45.5	20.2	44	502443-12**	12
				11
				10
45.5	20.2	44	502443-09**	9
45.5	20.2	44	502443-08**	8
33.5	14.2	32	502443-07**	7
33.5	14.2	32	502443-06**	6
25.5	11.5	24	502443-05**	5
25.5	11.5	24	502443-04**	4
25.5	11.5	24	502443-03**	3
25.5	11.5	24	502443-02**	2
C	B	エンボステープ幅A WIDTH OF TAPE	製品番号 MATERIAL NO.	極数 CKT. NO.

THIS DRAWING CONTAINS INFORMATION THAT IS PROPRIETARY TO MOLEX ELECTRONIC TECHNOLOGIES, LLC AND SHOULD NOT BE USED WITHOUT WRITTEN PERMISSION

QUALITY SYMBOLS	REVISED	GENERAL TOLERANCES (UNLESS SPECIFIED)	DIMENSION UNITS	SCALE	molex			
▽A = 0	2017/02/16	ANGULAR TOL ± 3.0 °	MM	NTS				
▽E = 0	DRWN: AISHIKAWA	4 PLACES ± 0.2	DRWN BY	DATE	CLIK-MATE 2.0 SINGLE ROW ST TYPE EMBOSSSED TAPE PACKAGE			
▽F = 0	2017/03/07	3 PLACES ± 0.2	AISHIKAWA	2016/04/19				
▽ = 0	CHK'D: AIDA	2 PLACES ± 0.2	CHK'D BY	DATE	PRODUCT CUSTOMER DRAWING			
▽C = 0	2017/03/07	1 PLACE ± 0.2	KOMURAKAMI	2016/04/28				
▽ = 0	APPR: TKANEKO	0 PLACES ± 0.2	APPR BY	DATE	SERIES MATERIAL NUMBER CUSTOMER			
▽ = 0	EC NO: 113635	DRAFT WHERE APPLICABLE MUST REMAIN WITHIN DIMENSIONS	TKANEKO	2016/04/28				502443
▽ = 0	B		DRAWING SIZE	THIRD ANGLE PROJECTION	DOCUMENT NUMBER DOC TYPE DOC PART SHEET NUMBER			
▽ = 0			A3		5024431570	PSD	000	1 OF 2

9 8 7 6 5 4 3 2 1

E

WITH COVER TAPE		
HSG COLOR : NATURAL		
502443-**60	502443-1560	15
	502443-1460	14
	502443-1360	13
	502443-1260	12
		11
		10
	502443-0960	9
	502443-0860	8
	502443-0760	7
	502443-0660	6
	502443-0560	5
	502443-0460	4
	502443-0360	3
502443-0260	2	
コネクタシリーズ CONNECTOR SERIES	製品番号 MATERIAL NO.	極数 CKT. NO.


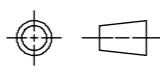
D

C

WITHOUT COVER TAPE		
HSG COLOR : NATURAL		
502443-**70	502443-1570	15
	502443-1470	14
	502443-1370	13
	502443-1270	12
		11
		10
	502443-0970	9
	502443-0870	8
	502443-0770	7
	502443-0670	6
	502443-0570	5
	502443-0470	4
	502443-0370	3
502443-0270	2	
コネクタシリーズ CONNECTOR SERIES	製品番号 MATERIAL NO.	極数 CKT. NO.

B

A

QUALITY SYMBOLS FA = 0 FE = 0 FP = 0 ▼ = 0 C = 0 ⊗ = 0 ■ = 0 ∇ = 0	THIS DRAWING CONTAINS INFORMATION THAT IS PROPRIETARY TO MOLEX ELECTRONIC TECHNOLOGIES, LLC AND SHOULD NOT BE USED WITHOUT WRITTEN PERMISSION										
	REVISED EC NO: 113635 DRWN: AISHIKAWA CHK'D: AIDA APPR: TKANEKO	GENERAL TOLERANCES (UNLESS SPECIFIED)		DIMENSION UNITS		SCALE		 CLIK-MATE 2.0 SINGLE ROW ST TYPE EMBOSSED TAPE PACKAGE			
		ANGULAR TOL ± 3.0 °		MM		NTS					
		4 PLACES ± 0.2		DRWN BY		DATE		PRODUCT CUSTOMER DRAWING SERIES: 502443 MATERIAL NUMBER: SEE TABLE CUSTOMER: GENERAL			
		3 PLACES ± 0.2		AISHIKAWA		2016/04/19					
		2 PLACES ± 0.2		CHK'D BY		DATE					
	1 PLACE ± 0.2		KOMURAKAMI		2016/04/28		DOCUMENT NUMBER: 5024431570 DOC TYPE: PSD DOC PART: 000 SHEET NUMBER: 2 OF 2				
	0 PLACES ± 0.2		APPR BY		DATE						
	DRAFT WHERE APPLICABLE MUST REMAIN WITHIN DIMENSIONS		DRAWING SIZE		THIRD ANGLE PROJECTION						
			A3								

RELEASE STATUS	P1	RELEASE DATE	07.03.2017	11:17:22
----------------	----	--------------	------------	----------

9 8 7 6 5 4 3 2 1

FORMAT: master-b-prod-A3
REVISION: 0
DATE: 2015/12/14