

ECS Part Number	Frequency
ECS-071.505-CD-0370	* 7.1505
ECS-098.438-CD-0371	* 9.8438
ECS-130.625-CD-0373	* 13.0625
ECS-135.600-CD-0374	* 13.56
ECS-203.563-CD-0375	20.3563
ECS-226.278-CD-0376	22.6278
ECS-232.643-CD-0377	23.2643
ECS-235.122-CD-0378	23.5122
ECS-252.235-CD-0379	25.2235
ECS-254.563-CD-0380	25.4563
ECS-264.513-CD-0381	26.4513
ECS-265.971-CD-0382	26.5971
ECS-271.344-CD-0383	* 27.1344
ECS-274.688-CD-0384	27.4688
ECS-282.594-CD-0385	28.2594
ECS-285.938-CD-0386	* 28.5938

REVISIONS			
REV	DESCRIPTION	DATE	APPROVED

Package Dimensions (mm)

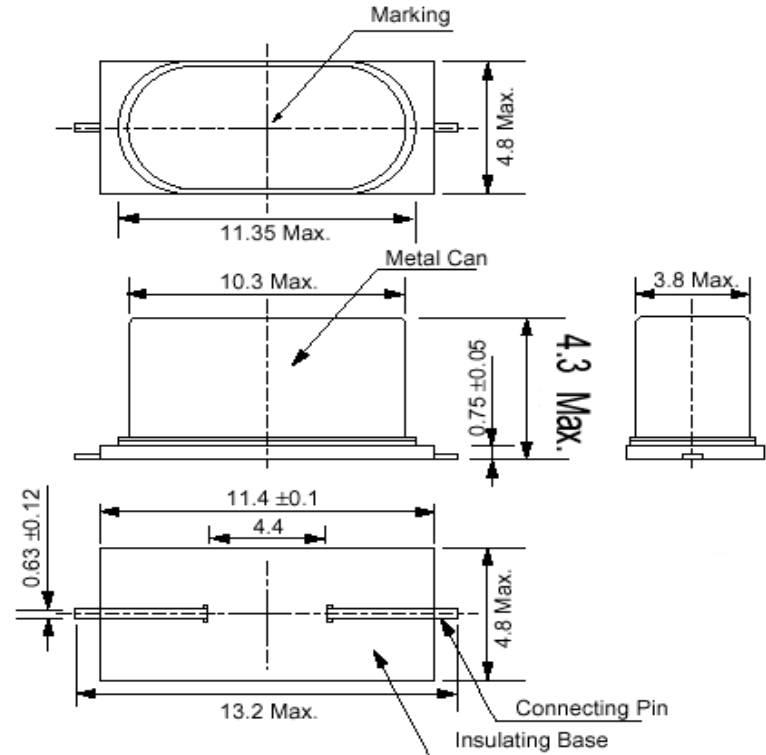


Figure 1) Top, Side, Bottom and End views

Electrical Characteristics

Parameters	Value
Frequency Tolerance @ +25°C	± 20 PPM Max.
Temperature Stability (-10° to +70°C)	± 30 PPM Max.
Equivalent Series Resistance (7 to 12.999 MHz)	40 Ohms Max.
Equivalent Series Resistance (13 to 30 MHz)	30 Ohms Max.
Load Capacitance	12 pF
Shunt Capacitance	7 pF Max.
Drive Level	500 µW Max.
Aging (First Year @ +25°C)	± 5 PPM Max.
* Spurious response (fo to Fo +200 KHz)	-20 dB Min.
Operating Temperature	-10 to +70°C
Storage Temperature	-30 to +85°C

Spur spec applies only to those frequencies with an *

SIGNATURES		DATE	TITLE	
DRN	DK	6/28/2002	CSM-7 SMD Crystal for TX/RX Chipset	
CHK	BL	6/28/2002	SIZE	DWG NO
APP	BS	6/28/2002	A	ECS-CD-0370-386
Dimensions in mm			CAGE CODE: 1G8B7	REV
				-
			SHEET 1 OF 1	

ECS INC. INTERNATIONAL
1105 S. Ridgeview
Olathe, KS 66062
(913) 782-7787 www.ecsxtal.com