

NOTES:

1.0 MATERIALS

- 1.1 HOUSING AND COUPLING NUTS: STAINLESS STEEL PER ASTM-A582, TYPE 303.
- 1.2 CENTER CONTACT: BERYLLIUM COPPER ROD ALLOY C172, PER ASTM B196.
- 1.3 DIELECTRIC: PTFE FLUOROCARBON PER ASTM-D1457.

2.0 PLATING

- 2.1 HOUSING AND COUPLING NUTS: PASSIVATED PER QQ-P-35 AND MIL-F-14072.
- 2.2 CENTER CONTACT: GOLD PER MIL-G-45204 TYPE II, CLASS 2.

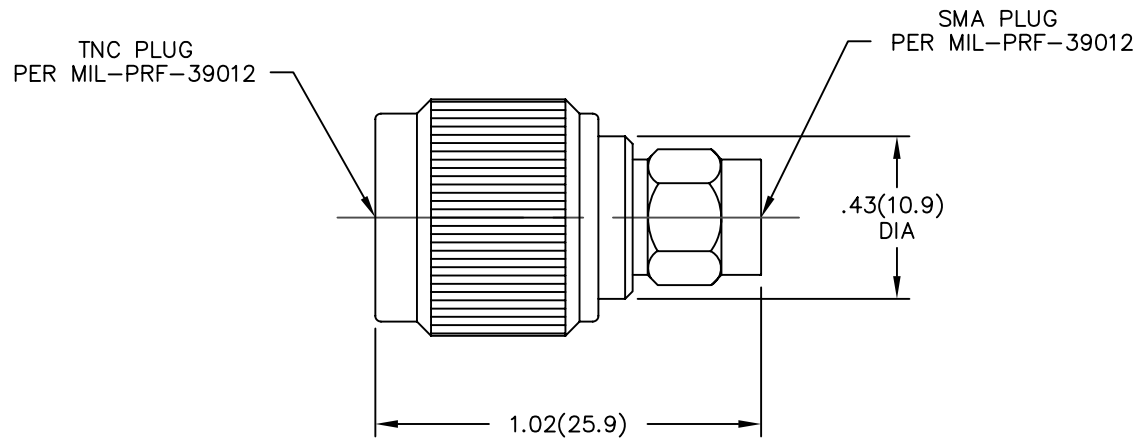
3.0 ELECTRICAL SPECIFICATIONS

- 3.1 FREQUENCY RANGE: DC to 18.0 GHz.
- 3.2 VSWR (MAX): 1.07+.015f (GHz)
- 3.3 IMPEDANCE: 50 OHMS.

4.0 MARKING

- 4.1 MARKING NOT REQUIRED.

5.0 DIMENSIONS IN PARENTHESIS ARE MILLIMETERS.



MODEL NUMBER
ADT-2685-TM-SMM-02

DWG. NO. WAS: 04177-01-00

REV.	DESCRIPTION	DATE
-	RELEASED	12/2/92
A	ECR 1525	5/19/82
B	ECR 1560	6/21/82
C	ECR 1742	10/12/82
D	ECR 6545	7/10/89
D1	UPDATE MOD#	8/5/89
E	REDRAW ON CAD. UPDATE DWG. SPECS. TO CATALOG SPECS.	11/24/92
E1	ADDED TITLEBLOCK	3/15/05
E2	ECO 22063	7/17/09

NOTICE: The information contained in this drawing is proprietary and must not be used without the permission of Emerson Network Power. UNLESS OTHERWISE NOTED DIMENSIONS ARE IN INCHES AND TOLERANCES ARE: 3 PLACE DECIMALS ±.005 2 PLACE DECIMALS ±.02 FRACTIONS ±1/64 PARALLELITY: T.I.R. _____ FLATNESS: T.I.R. _____ CONCENTRICITY: T.I.R. _____ ANGLES AND PERPENDICULARITY: ±1°	CASE CODE 34078	MIDWEST MICROWAVE	
	EMERSON Network Power Connectivity Solutions	TITLE ADAPTER OUTLINE DRAWING	
DRAWN/DATE M.HOLLMAN 11/24/92	ENG./DATE A.OSGA 12/2/92	DRAWING NUMBER ADT-2685-TM-SMM-02-01	REV. E2
CHECKED/DATE A.BEATTY 12/1/92	APPROVED/DATE	SCALE: 5=1	SHEET 1 of 1