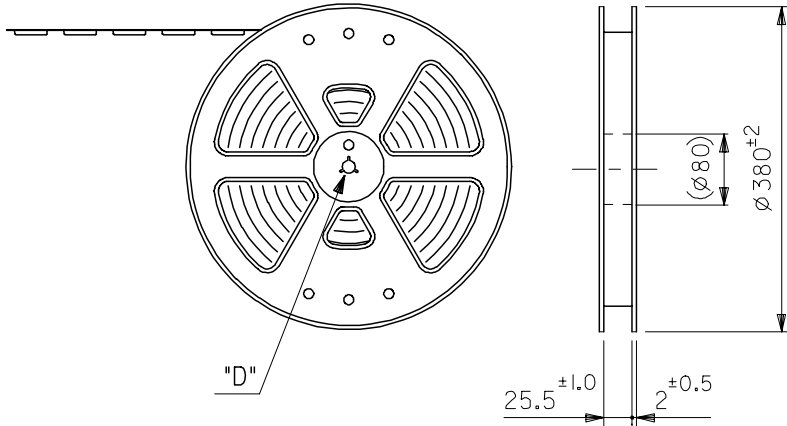
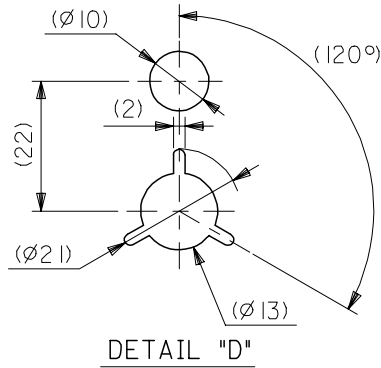


引き出し方向
PULL OUT DIRECTION



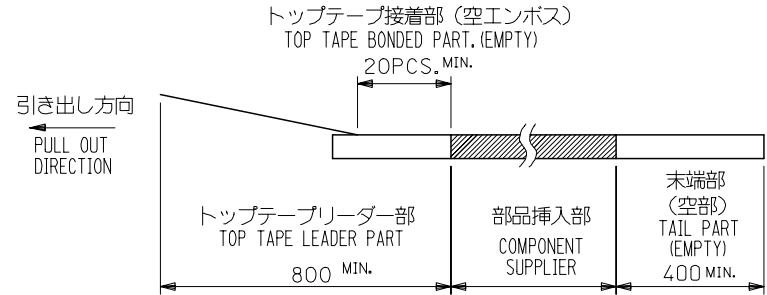
"D"



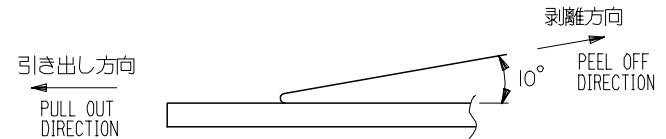
DETAIL "D"

NOTES

- 製品詳細寸法については、SD図面を参照下さい。
RE DETAILED DIMENSION, SEE SALES DRAWING.
- 梱包数量：1400 個/リール
NUMBER OF CONNECTORS : 1400PCS/REEL
- リードテープ長さ LEAD TAPE LENGTH



- トップテープの剥離強度：0.1N~1.3N (10.2gf~130gf) (剥離方向は下図参照) 尚、本規格値は出荷時に適用。(但し、輸送時に剥離が発生しないこと。)
PEELING OFF FORCE OF TOP TAPE : 0.1N~1.3N (10.2gf~130gf)
(PEELING DIRECTION AS SHOWN IN FOLLOWING FIG.)
THIS REQUIREMENT SHOULD BE APPLIED AT SHIPMENT.
PEEL OFF SHOULD NOT BE ALLOWED , DURING TRANSPORTATION.

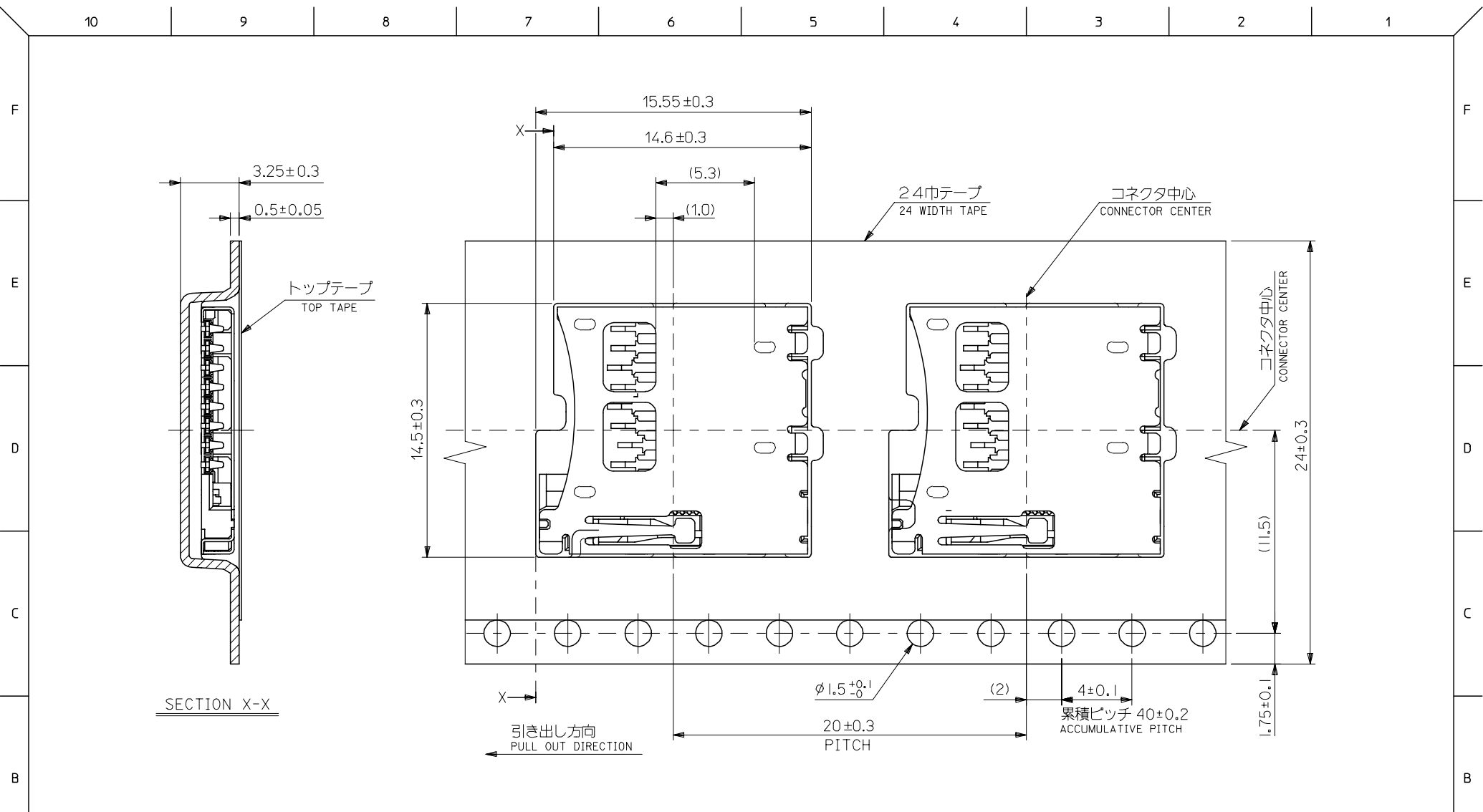


- 材料 (MATERIAL)

キャリアテープ (CARRIER TAPE) : ポリスチレン (POLYSTYRENE)
 トップテープ (TOPTAPE) : PET, PE, PEF
 リール (REEL) : ポリスチレン (PS) <リサイクル材を含む>
 POLYSTYRENE (PS) <RECYCLE MATERIAL CONTAINED>

500873-0807	500873-0806	500873-08**
CONNECTOR NO.	MATERIAL NO.	MODEL NO.
DIMENSION STYLE MM ONLY		SCALE ---
DESIGN UNITS METRIC		THIRD ANGLE PROJECTION

RELEASED EC NO: J2007-0585 DRWNS: MARUYAMA 2006/08/30 CHKD: 2006/08/31 APPR: Y01TO 2006/09/08 REV 0	GENERAL TOLERANCES (UNLESS SPECIFIED)		DRAWN BY DATE		TITLE
	10 UNDER	±0.2	S. MARUYA	2006/02/16	
	10 OVER 30 UNDER	±0.25	CHECKED BY DATE		
	30 OVER	±0.3	S. ICHIKAWA	2006/02/16	
	ANGULAR	±3 °	APPROVED BY DATE		
DRAFT WHERE APPLICABLE MUST REMAIN WITHIN DIMENSIONS		MATERIAL NO.	DOCUMENT NO.		SHEET NO.
		500873-0806	SD-500873-009		1 OF 2
THIS DRAWING CONTAINS INFORMATION THAT IS PROPRIETARY TO MOLEX INCORPORATED AND SHOULD NOT BE USED WITHOUT WRITTEN PERMISSION					



RELEASED EC NO: J2007-0585 DRWNS: MARUYAMA 2006/08/30 CHKD: 2006/08/31 APPR: Y01TO 2006/09/08	GENERAL TOLERANCES (UNLESS SPECIFIED)		DIMENSION STYLE MM ONLY		SCALE ---	DESIGN UNITS METRIC	THIRD ANGLE PROJECTION	
	10 UNDER	±0.2	DRAWN BY S. MARUYA	DATE 2006/02/16	TITLE TFR CARD CONN. EMBOSSSED TAPE PACKAGE			
	10 OVER 30 UNDER	±0.25	CHECKED BY S. ICHIKAWA	DATE 2006/02/16				
	30 OVER	±0.3	APPROVED BY S. ICHIKAWA	DATE 2006/02/16	MOLEX INCORPORATED			
	ANGULAR	±3 °	MATERIAL NO. 500873-0806	DOCUMENT NO. SD-500873-009				
DRAFT WHERE APPLICABLE MUST REMAIN WITHIN DIMENSIONS		SIZE A3		THIS DRAWING CONTAINS INFORMATION THAT IS PROPRIETARY TO MOLEX INCORPORATED AND SHOULD NOT BE USED WITHOUT WRITTEN PERMISSION				