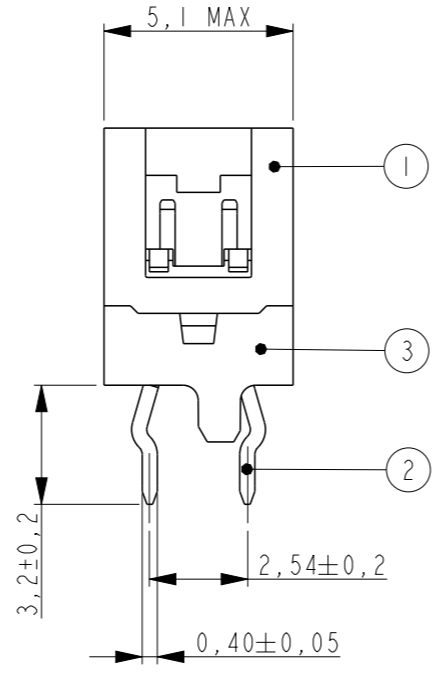
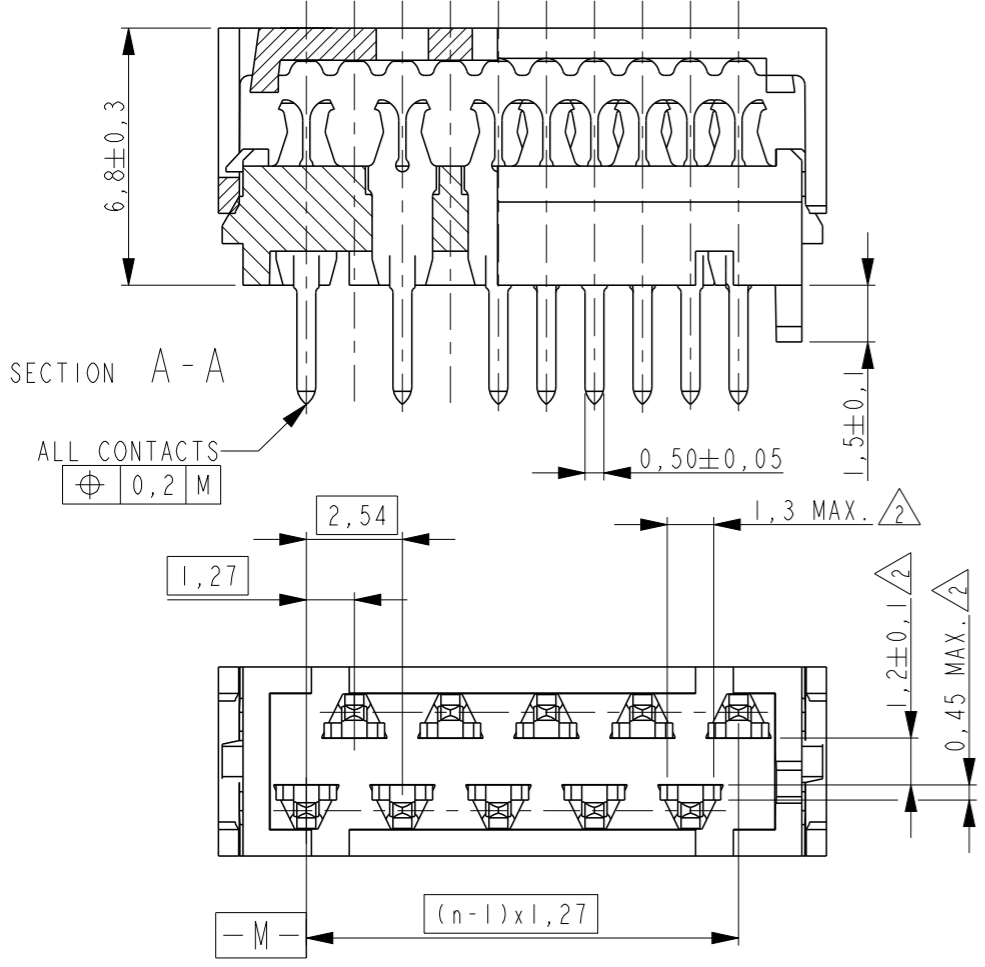
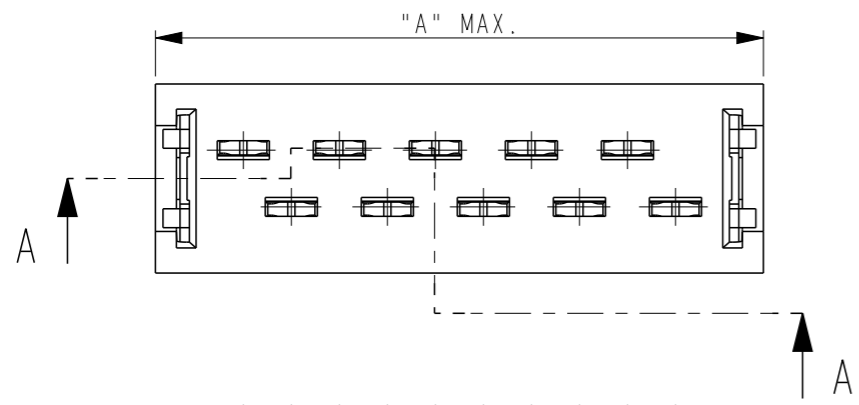
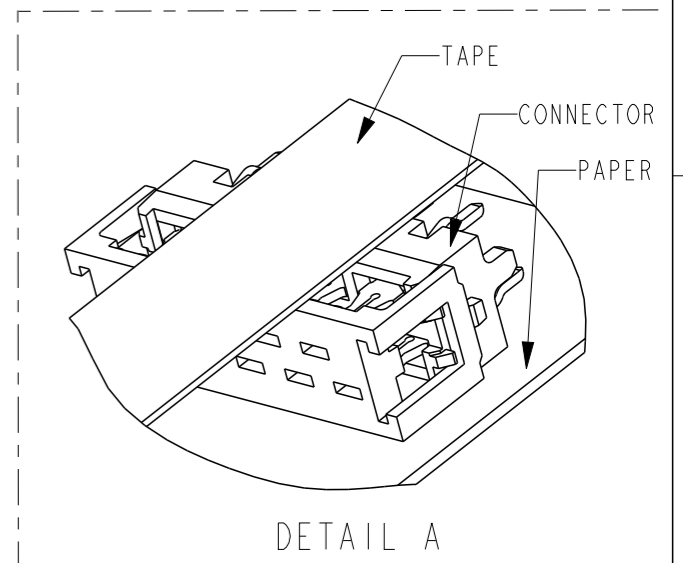


THIS DRAWING IS UNPUBLISHED. RELEASED FOR PUBLICATION
 © COPYRIGHT 19 ALL RIGHTS RESERVED.

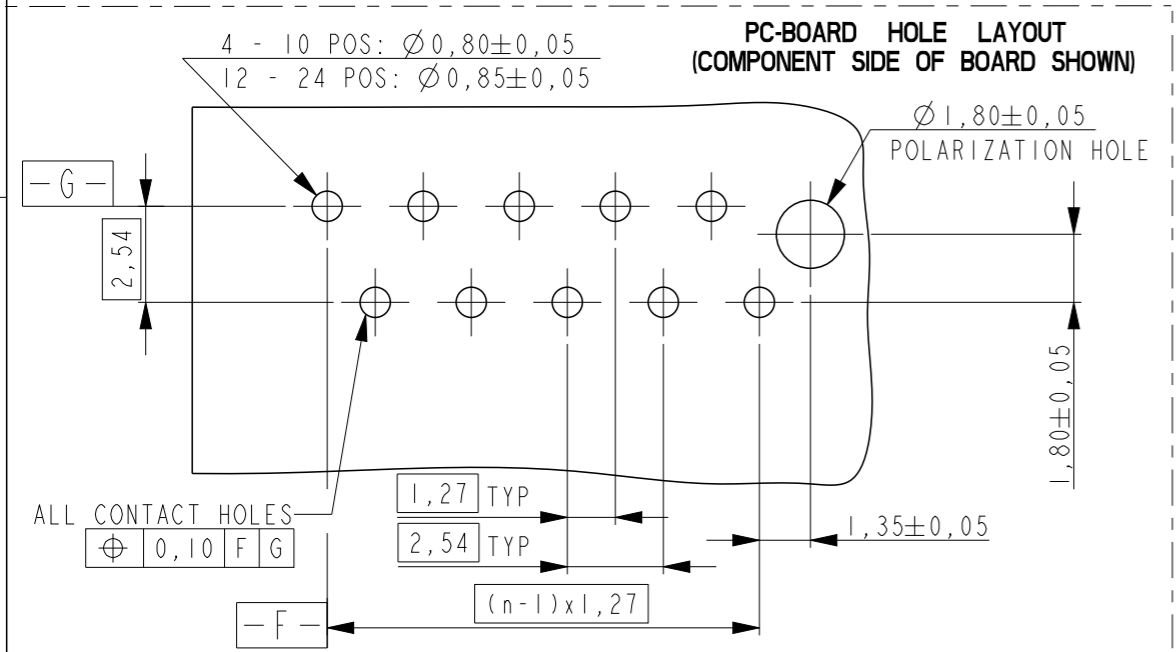
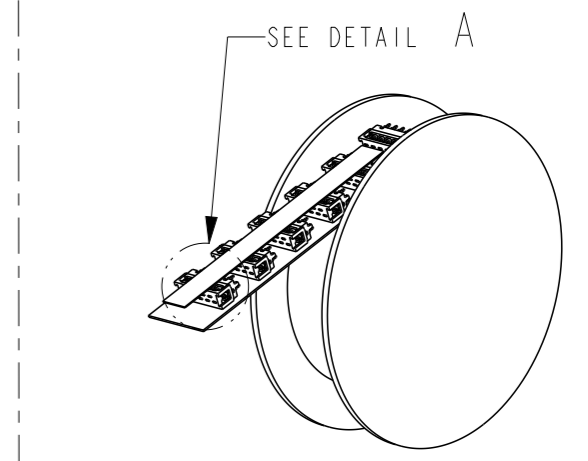
LOC	DIST	REVISIONS					
		P	LTR	DESCRIPTION	DATE	DWN	APVD
-	-	A		INITIAL RELEASE	18AUG2014	PS	JK



PART NUMBER REEL PACKAGING	NO. OF POS "n"	DIMENSION "A" MAX
2178713-4	4	8,6
2178713-6	6	11,1
2178713-8	8	13,6
1-2178713-0	10	16,2
1-2178713-2	12	18,7
1-2178713-4	14	21,3
1-2178713-6	16	23,8
1-2178713-8	18	26,3
2-2178713-0	20	28,9



NOTES:
 1 SHOWN IS A 10 POS. CONNECTOR
 2 REF. CONTACT SHOULDER BOTTOM, THAT CAN TOUCH THE PC-BOARD SURFACE.



THIS DRAWING IS A CONTROLLED DOCUMENT.

DIMENSIONS:	TOLERANCES UNLESS OTHERWISE SPECIFIED:
mm	0 PLC ±-
	1 PLC ±-
	2 PLC ±-
	3 PLC ±-
	4 PLC ±-
	ANGLES ±-
	FINISH ±-

MATERIAL SEE TABLE

3	PADDLE BOARD HOUSING	PBT, GF	BLACK
2	PADDLE BOARD CONTACT	TIN BRASS	3.0 - 5.0µm TIN OVER 0.5µm NICKEL
1	COVER	PBT, GF	BLACK
ITEM NO.	DESCRIPTION	MATERIAL	FINISH / COLOR
DWN	08AUG2014	TE Connectivity Micro-MaTch VALUE LINE PADDLE BOARD CONNECTOR	
CHK	13AUG2014		
APVD	14AUG2014		
PRODUCT SPEC	JAYANTH KUMAR		
APPLICATION SPEC	108-32087	NAME	
WEIGHT	114-19016	SIZE	
Customer Drawing		CAGE CODE	
		DRAWING NO	
		RESTRICTED TO	
		A3 00779	
		SCALE	
		5:1	
		SHEET	
		1	
		OF	
		1	
		REV	
		A	