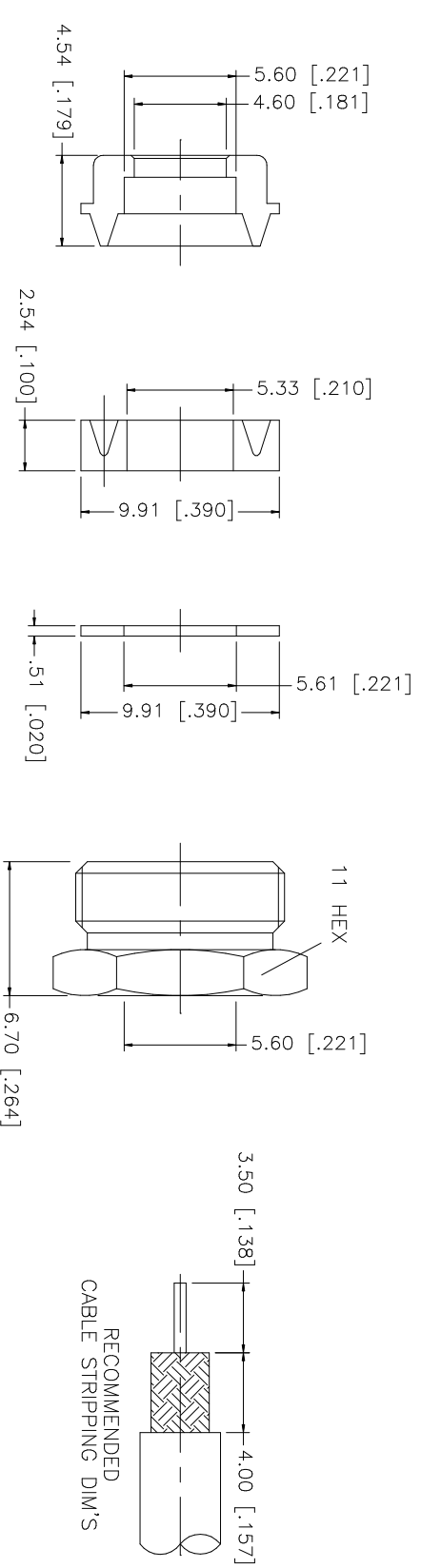
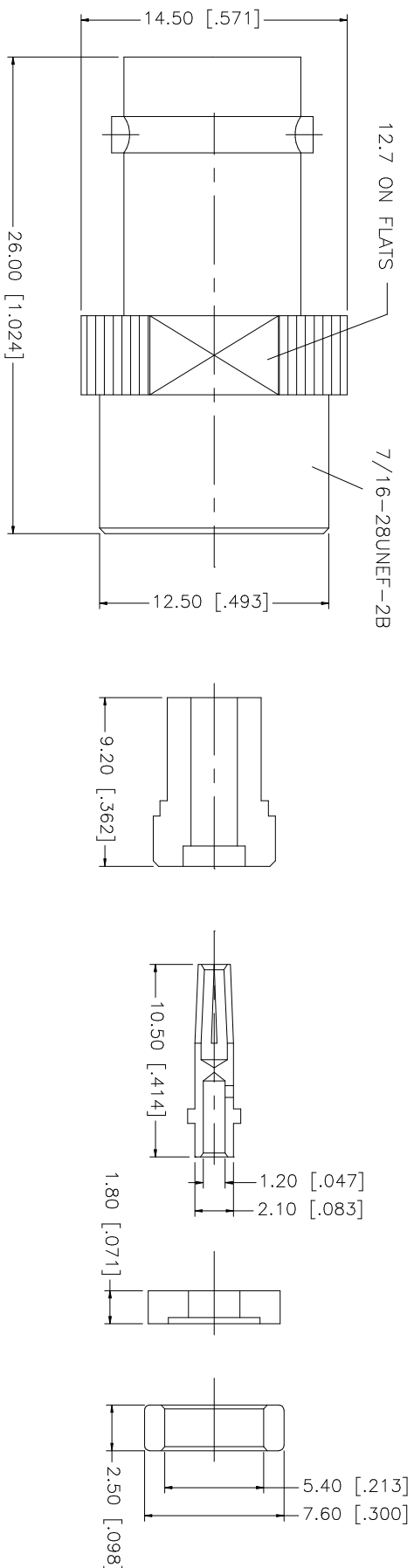


| REV. | DATE     | DESCRIPTION     |
|------|----------|-----------------|
| NC   | 07/19/05 | INITIAL RELEASE |



| QTY | FINISH  | MATERIAL     | DESCRIPTION |
|-----|---------|--------------|-------------|
| 1   | NICKEL  | BRASS        | HEX NUT     |
| 1   | NICKEL  | BRASS        | WASHER      |
| 1   | RED     | SILICONE     | GASKET      |
| 1   | NICKEL  | BRASS        | BRAD CLAMP  |
| 1   | NICKEL  | BRASS        | RING        |
| 1   | NATURAL | TEFLON       | INSULATOR   |
| 1   | GOLD    | PHOS. BRONZE | CONTACT PIN |
| 1   | NATURAL | TEFLON       | INSULATOR   |
| 1   | NICKEL  | BRASS        | BODY        |

| UNLESS OTHERWISE SPECIFIED DIMENSIONS ARE IN MILLIMETERS DIMENSIONS IN [ ] ARE IN INCHES AND FOR CUSTOMER REFERENCE ONLY.              |
|--|
| UNLESS OTHERWISE SPECIFIED TOLERANCES FOR MILLIMETERS ARE:<br>0.5 - 8mm ± 0.20mm<br>8 - 30mm ± 0.40mm<br>30 - 120mm ± 0.50mm           |
| UNLESS OTHERWISE SPECIFIED TOLERANCES FOR INCHES ARE:<br>.020 - .315 = ± 0.007"<br>.315 - 1.180 = ± 0.015"<br>1.180 - 4.724 = ± 0.020" |

| APPROVALS    | DATE     |
|--------------|----------|
| DRAWN G.R.S. | 07/19/05 |

| CAD FILE          | DWG. NO.   | REV. | NC | SIZE | SCALE |
|-------------------|------------|------|----|------|-------|
| C:/112/112372.DWG | 112372.DWG | NC   |    | A    | NA    |

| PART DESCRIPTION                                      | PART NO. |
|---|----------|
| BNC CLAMP JACK<br>(FOR RG-58C/U, 58/U, 142A/U, 223/U) | 112372   |

**Amphenol Connex**