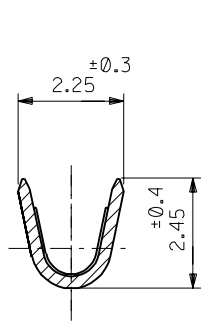
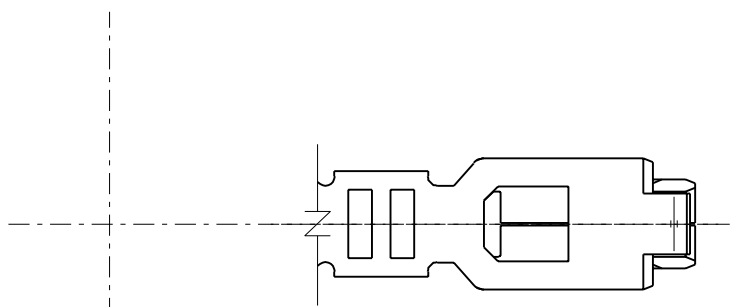
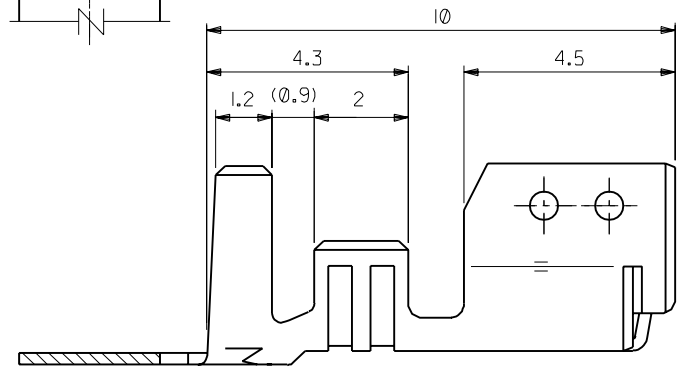
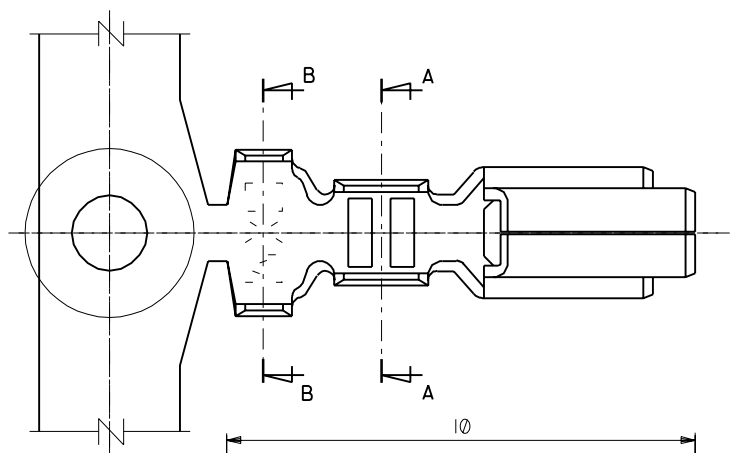
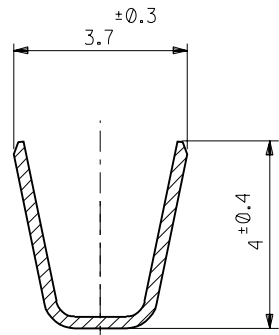


:MM DIMENSIONS IN METRIC DO NOT SCALE DRAWING

ENG. NO. SD-50217-****
EDP NO.



SECT.A-A



SECT.B-B

NOTES

1. APPLICABLE HOUSING :51067-***00

PHOS. BRO. PRE-TINNED (t=0.254)	50217-8100	LOOSE
	50217-8000	CHAIN
BRASS PRE-TINNED (t=0.254)	50217-9101	LOOSE
	50217-9001	CHAIN
MATERIAL	ENG. NO.	FORM

材料 MATERIAL
REFER TO CHART

molex MOLEX-JAPAN CO.,LTD.
日本モレックス株式会社

仕上げ FINISH —

EDP NO.

適用電線範囲 WIRE RANGE AWG#18~#24

ENG. NO. SD-50217-****

被覆外径 INS. RANGE $\phi 1.4 \sim \phi 3.0$

TITLE 名称
3.5 WIRE TO BOARD CONN.
CRIMP RECEPTACLE

DRAWN BY '90/11/14 S.AIHARA
CHK'D BY '90/11/15 M.FUKUSHIMA
APP'D BY '90/11/15 M.ENOMOTO
尺 度 SCALE —

角度 ANGLE	±3°					
30以上 OVER	+0.3	A	REVISED (J01176)	5.3	90/11/14	
10以上 30未滿 UNDER	+0.25	0	PROPOSED (J91079)	4.3	89/12/18	
10未滿 UNDER	+0.2	記号 LTR	変更内容 REVISION RECORD	DR. CHK.	日付 DATE	
一般公差 GENERAL TOLERANCES		REVISE ONLY ON CAD SYSTEM				

THIS DRAWING CONTAINS INFORMATION THAT IS PROPRIETARY TO MOLEX(JAPAN) AND SHOULD NOT BE USED WITHOUT WRITTEN PERMISSION
本図面は日本モレックス(株)の所有する情報を含むもので 当社の許可なく複製を禁止する。