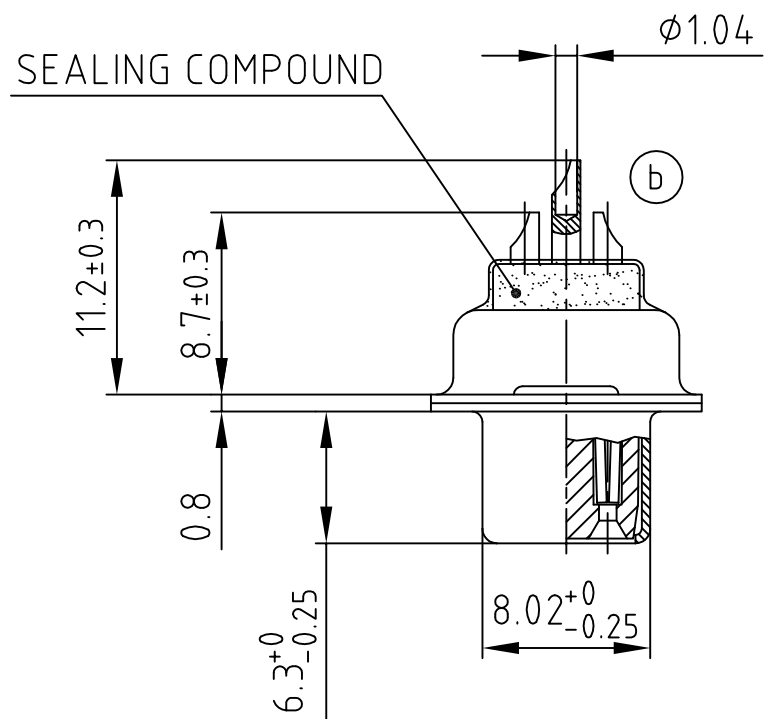
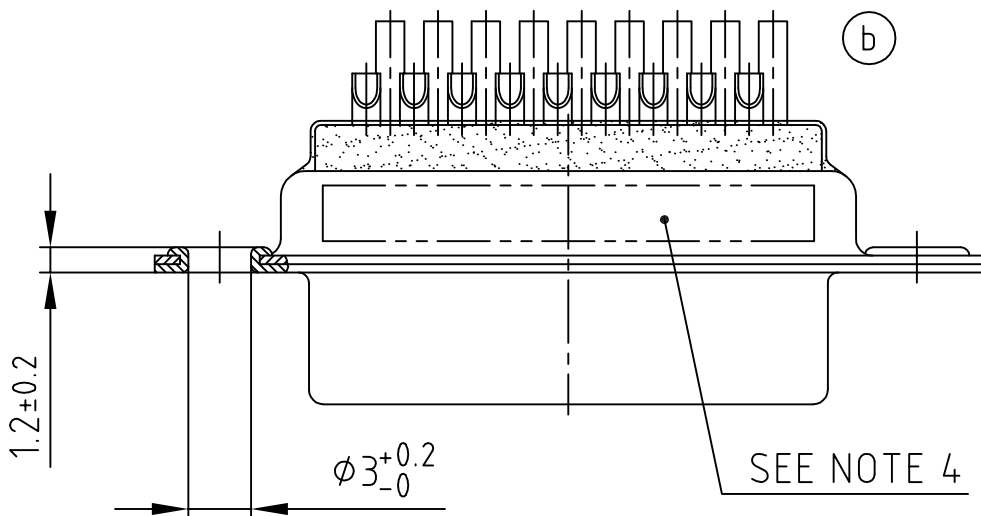
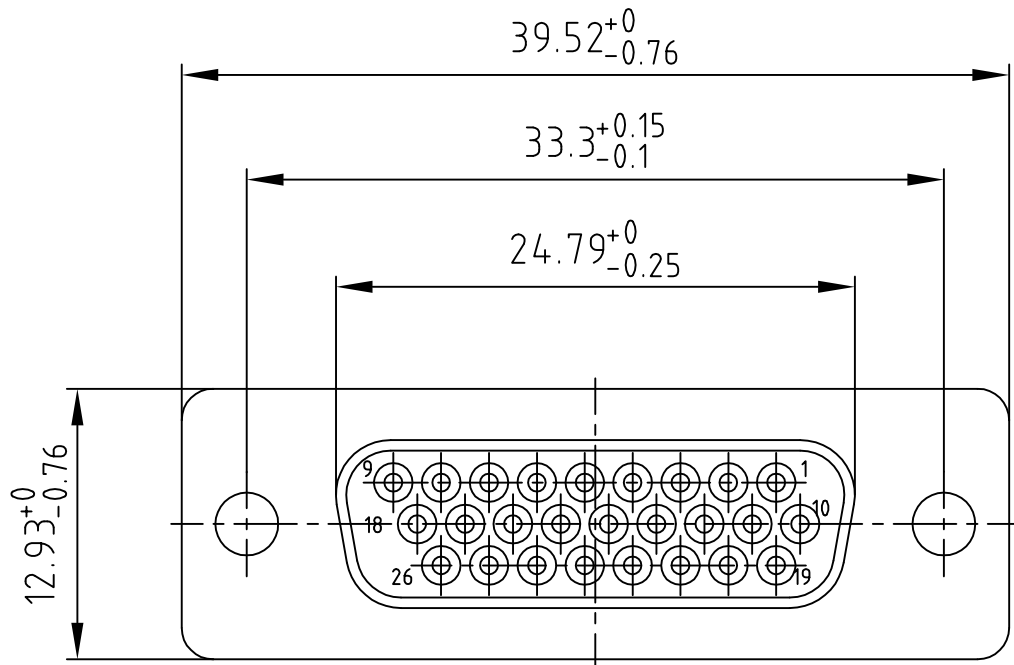


used for: D-SUB HD



Directive 2002/95/EC RoHS compliant

APPROVAL # FREIGABE # DEBLOCAGE # AUTORIZACION # APPROVAL	
CUSTOMER APPROVAL DATE:	
NAME:	TITLE:
COMPANY NAME:	
APPROVAL # FREIGABE # DEBLOCAGE # AUTORIZACION # APPROVAL	

NOTES:

1. METALSHELLS: COPPER ALLOY; min. 320µin TIN
2. INSULATORS: PBT GF UL 94 V-0, BLACK
3. CONTACTS: COPPER ALLOY  
PLATING: GOLD FLASH over NICKEL  
SOLDER CUP ACCEPTS CABLE AWG 22
4. CONNECTOR IS PART MARKED: 4HDD26SAM99A10X CONEC ABC

THIS DRAWING MAY NOT BE COPIED OR REPRODUCED IN ANY WAY, AND MAY NOT BE PASSED ON TO A THIRD PARTY WITHOUT WRITTEN PERMISSION.  
 OWNERSHIP AND COPYRIGHT OF CONEC GmbH  
 DO NOT ALTER CAD DRAWING BY HAND

				tolerance		dim. in mm	
2 x b	Ä3900	11.02.2011	Gitinow	2005	date	name	
a	Origin			drawn	27.05.	Pfeffer	
rev.	description	date	name	appd.	27.05.	Kühle	
				norm			
				d-old			



scale:		2:1	
material:		SEE NOTES	
title:			
D-SUB HD FEMALE SOLDER CUP 26pos. for watertight hood			
dwg no:		AutoCAD2004	DIN-A
		18K2A172	4
			sh: 1/1
part no:		4HDD26SAM99A10X	