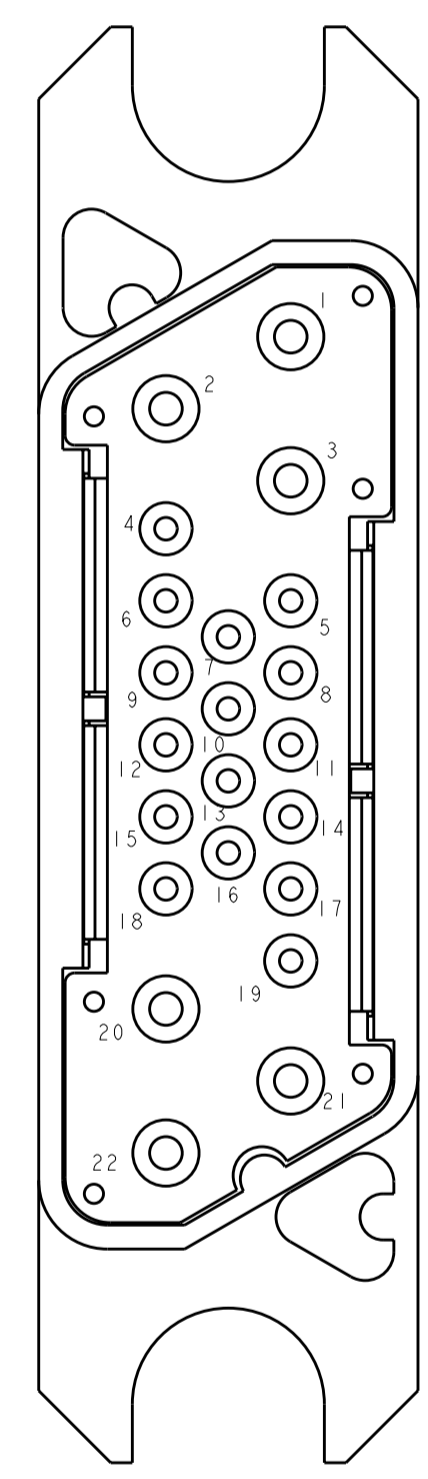
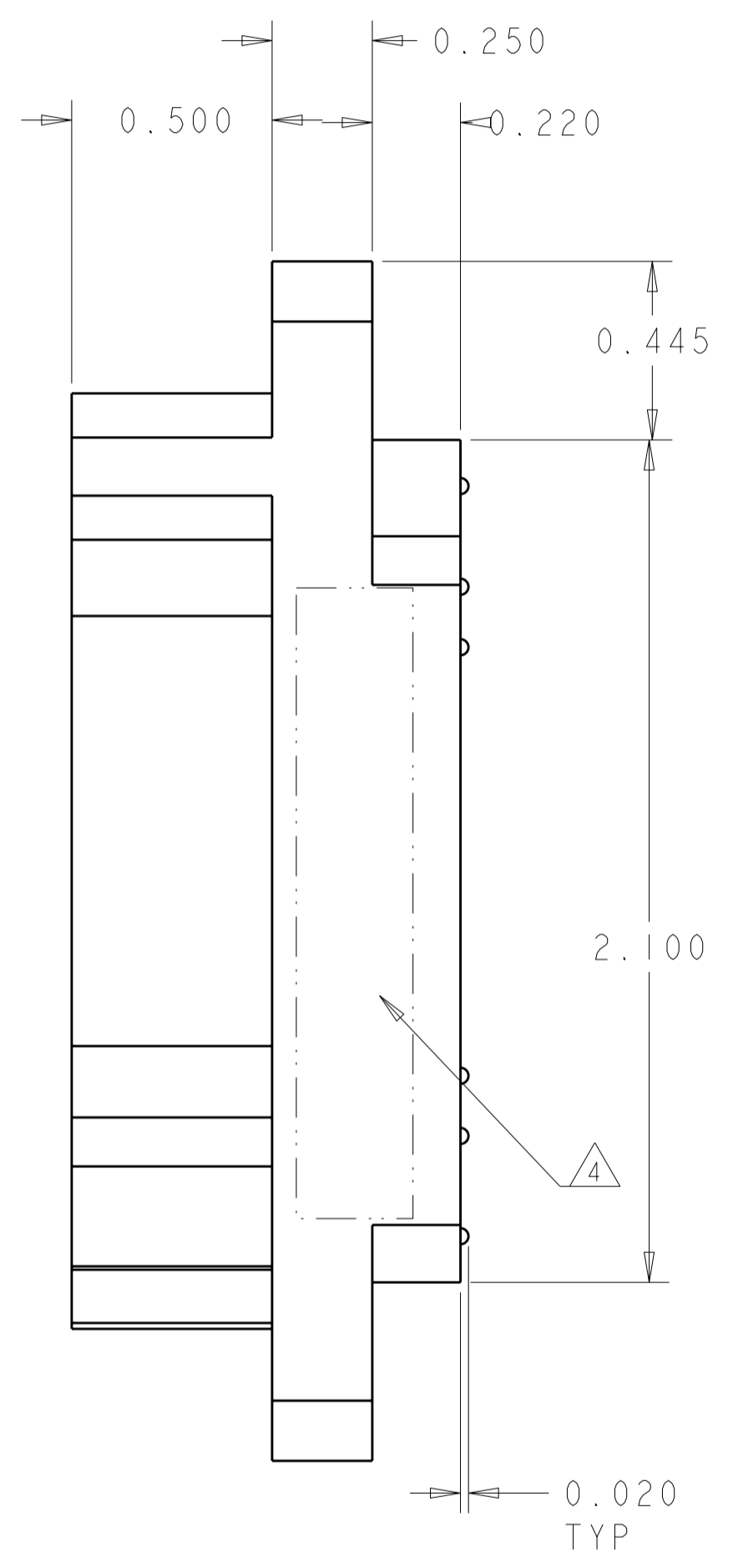
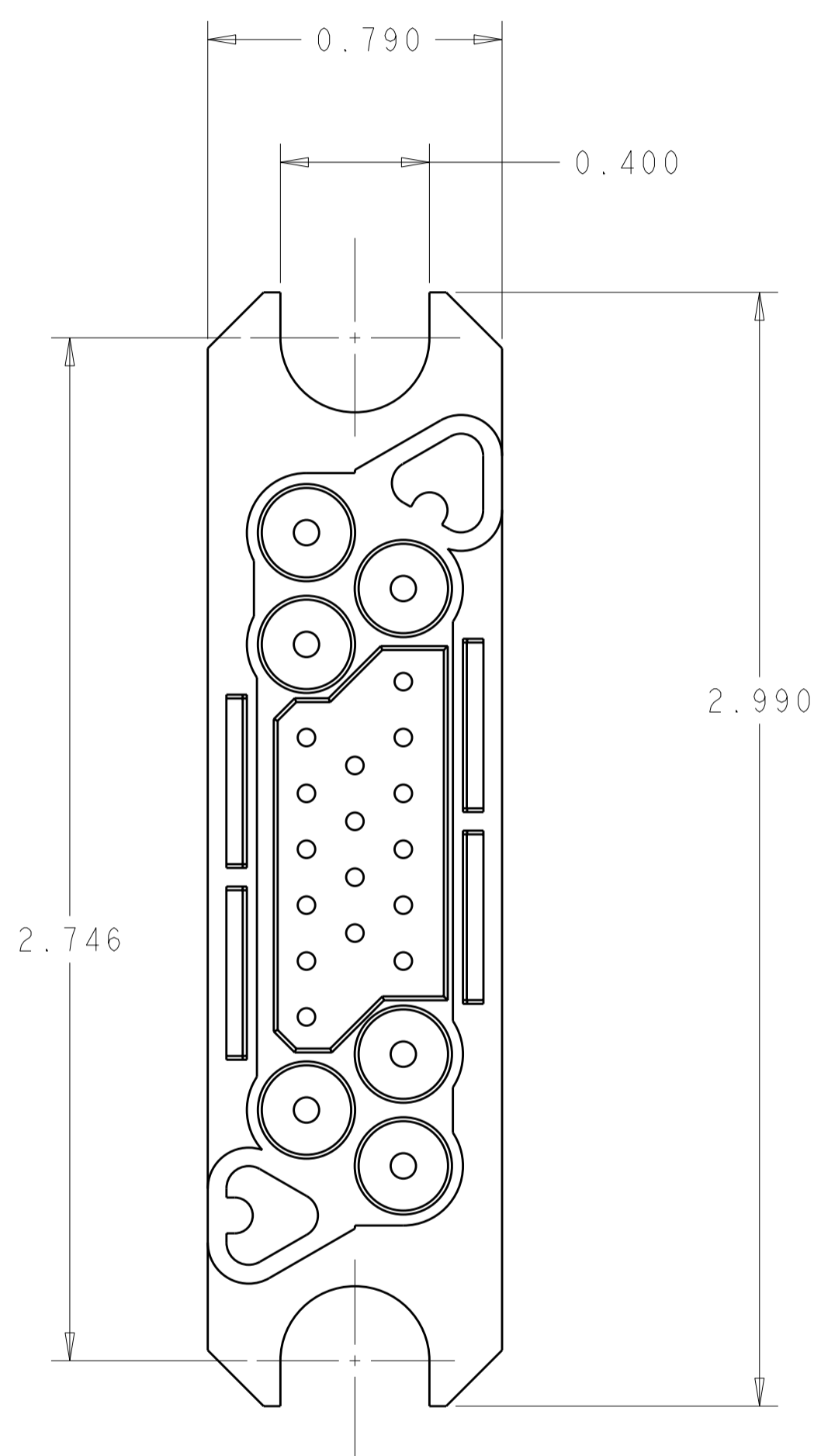


THIS DRAWING IS UNPUBLISHED. RELEASED FOR PUBLICATION 20
 © COPYRIGHT 20 BY TYCO ELECTRONICS CORPORATION. ALL RIGHTS RESERVED.

LOC	DIST	REVISIONS					
GP	00	P	LTR	DESCRIPTION	DATE	DWN	APVD
		A		RELEASED	08NOV2006	RG	DO
		B		REVISED PER ECO-07-009348	23APR2007	GIP	DO



PIN CONTACT (C)
SIZE #16

PIN CONTACT (B)
SIZE #20

PIN CONTACT (C)
SIZE #16

AS SHOWN	1926267-1
DESCRIPTION	PART NUMBER

ELCON MINI DRAWER

<small>THIS DRAWING IS A CONTROLLED DOCUMENT FOR TYCO ELECTRONICS CORPORATION. IT IS SUBJECT TO CHANGE AND THE CONTROLLING ENGINEERING ORGANIZATION SHOULD BE CONTACTED FOR THE LATEST REVISION.</small>		DWN R. GRZYBOWSKI 08NOV06 CHK D. ORRIS 08NOV06 APVD S. FLICKINGER 08NOV06	tyco Tyco Electronics Harrisburg, PA 17105-3608
DIMENSIONS: INCHES 	TOLERANCES UNLESS OTHERWISE SPECIFIED: 0 PLC ± 1 PLC ± 2 PLC ±.02 3 PLC ±.010 4 PLC ± ANGLES ±.5 FINISH	PRODUCT SPEC APPLICATION SPEC WEIGHT CUSTOMER DRAWING	NAME CONNECTOR ASSEMBLY, PIN WITH CRIMP TAILS SIZE CAGE CODE DRAWING NO RESTRICTED TO A200779 C-1926267 -
AMP 1471-9 REV 31MAR2000 Pro/ENGINEER DRAWING		SCALE 3:1 SHEET 1 OF 2 REV B	

