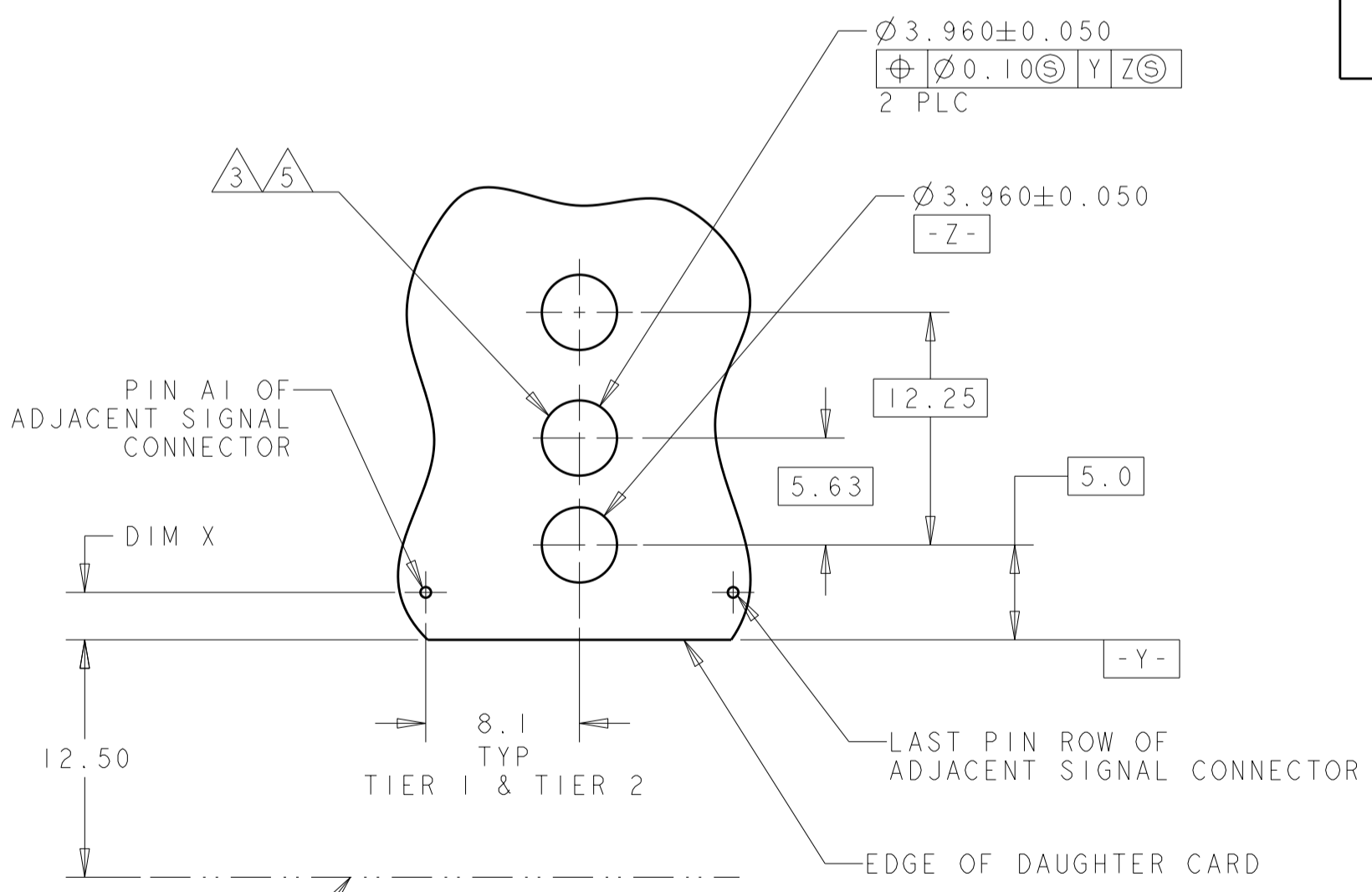
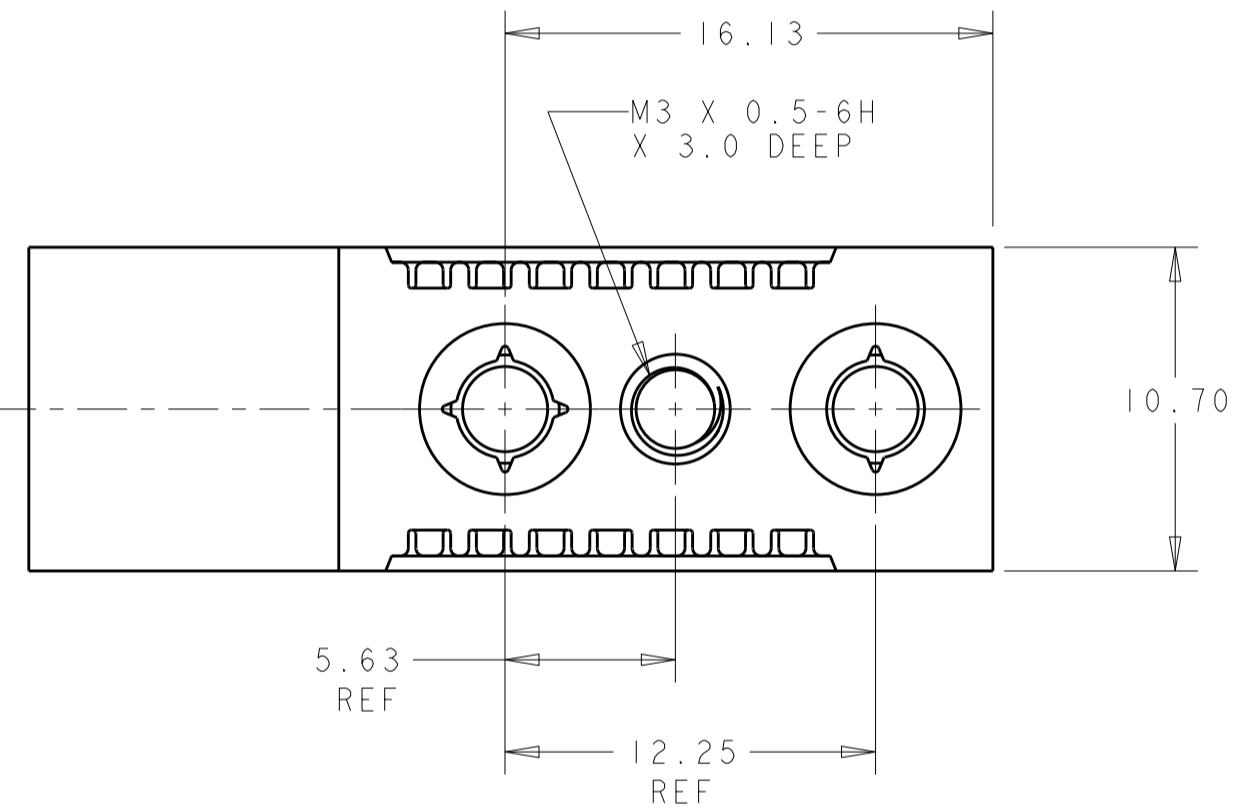
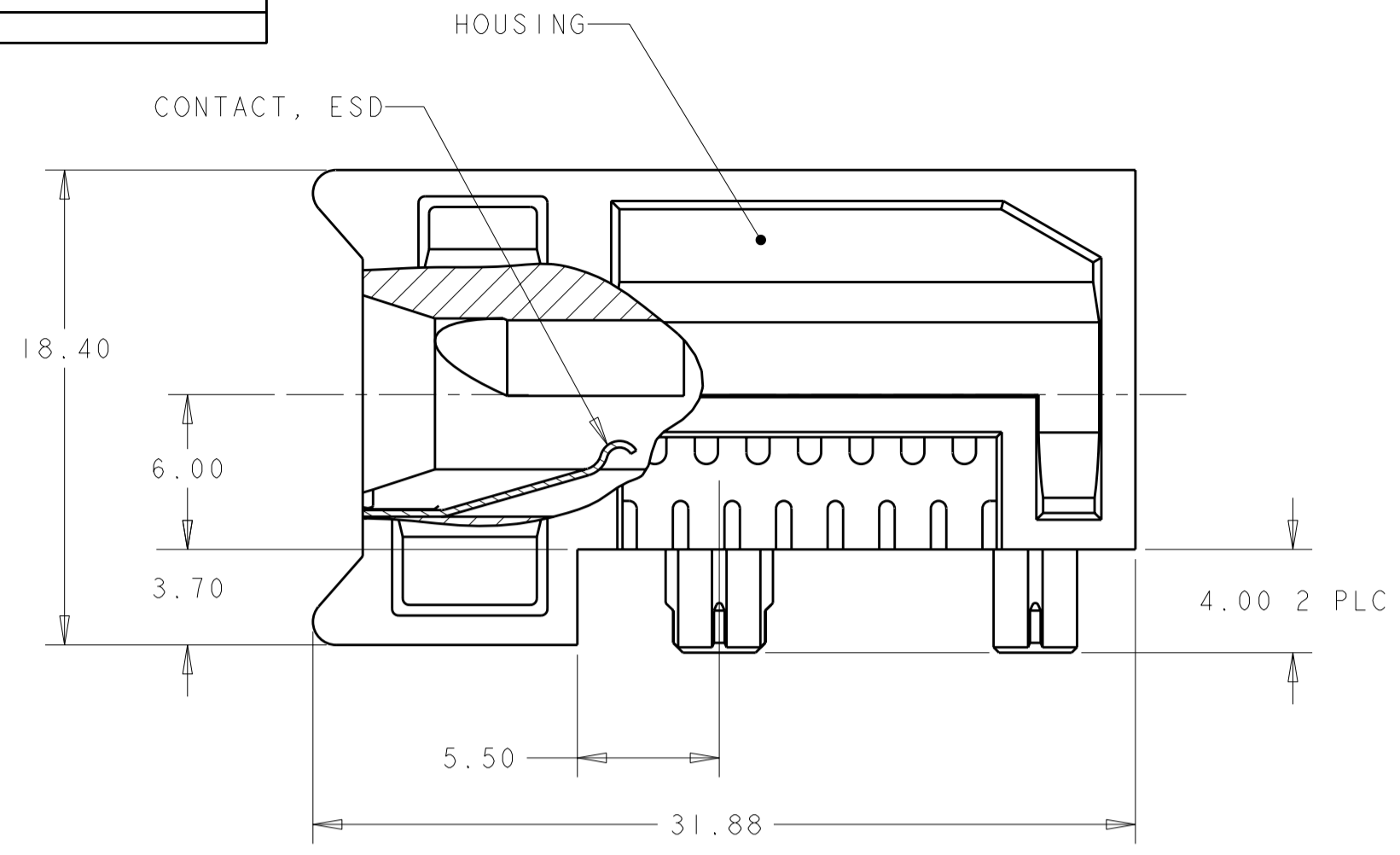
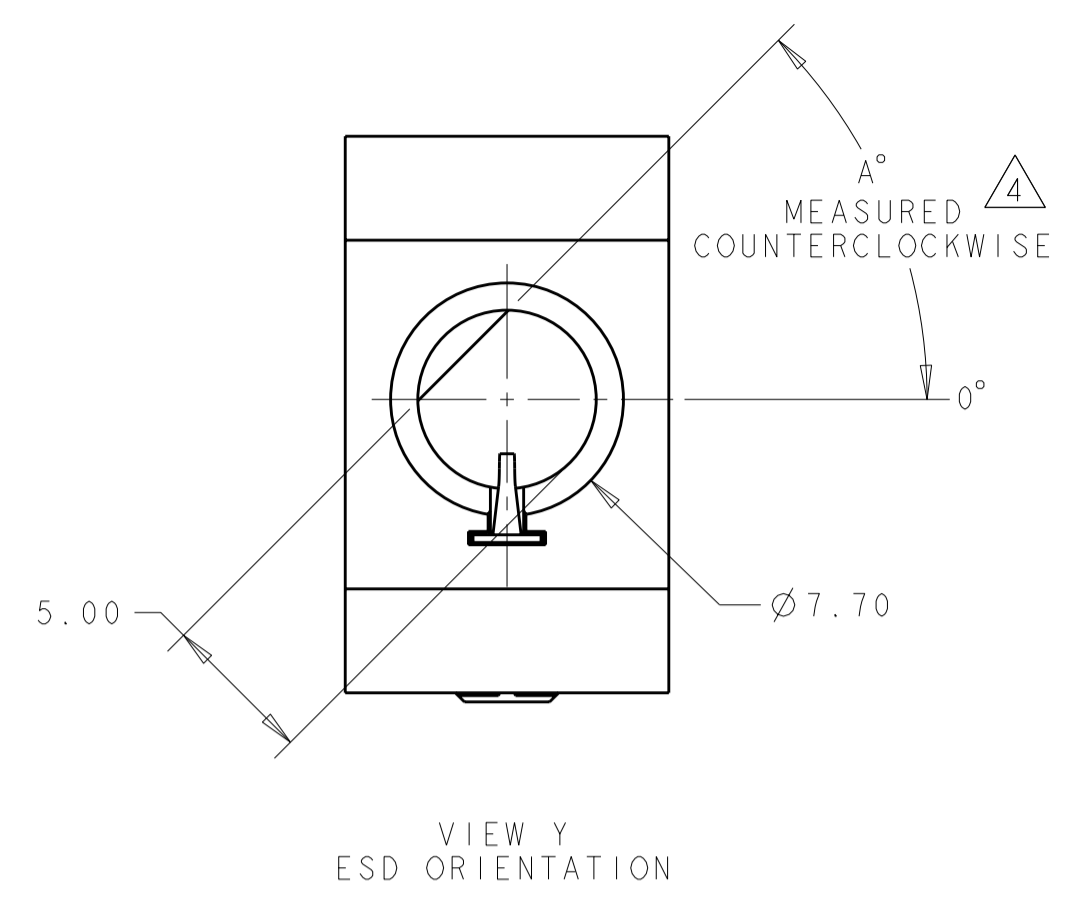


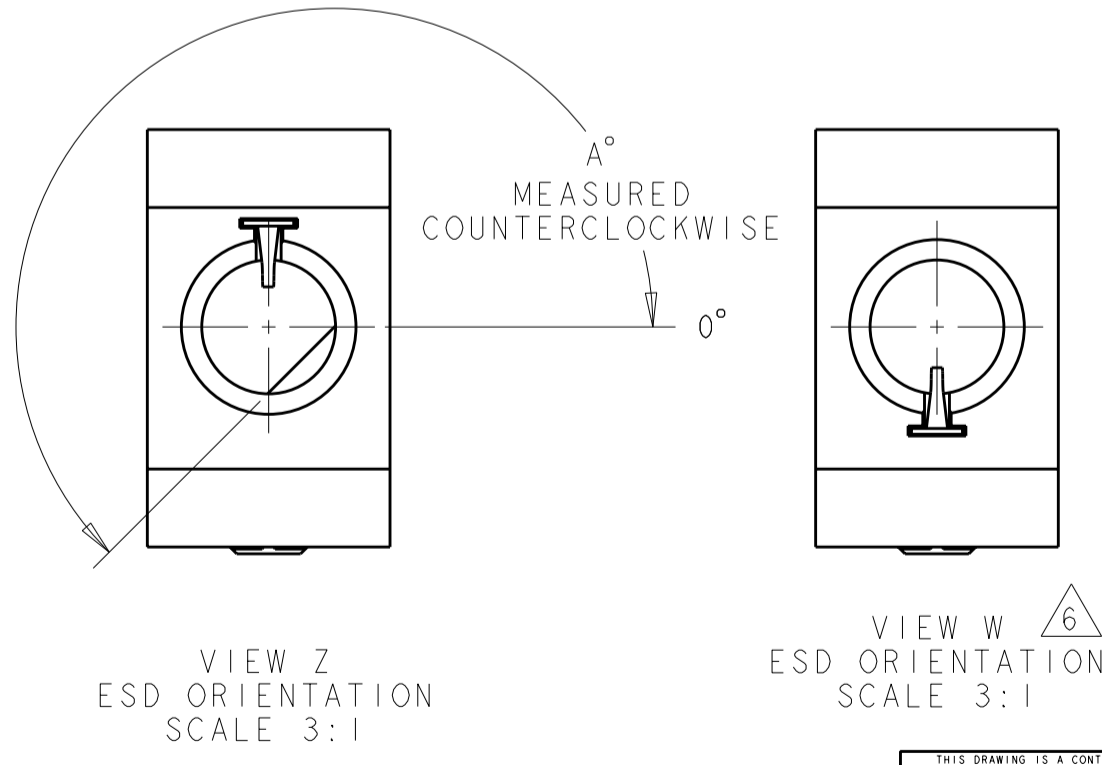
THIS DRAWING IS UNPUBLISHED. RELEASED FOR PUBLICATION 20
 © COPYRIGHT 20 BY TYCO ELECTRONICS CORPORATION. ALL RIGHTS RESERVED.

LOC	DIST	REVISIONS					
GP	00	P	LTR	DESCRIPTION	DATE	DWN	APVD
		A		REV PER EC 0S12-0206-05	18APR2005	BC	GG
		A1		REV PER ECO-07-018424	04SEP2007	BC	GG
		A2		REVISED PER ECO-10-000445	25JAN2010	KK	HMR



DIM X	2.50	2.25
	TIER 1	TIER 2

PCB LAYOUT
CONNECTOR SIDE
SCALE 3:1



- 1 MATERIAL:
HOUSING: ZINC ALLOY DIE CASTING, ZAMAK 3
CONTACT: PHOSPHOR BRONZE
- 2 FINISH:
HOUSING: CHROMATE CONVERSION COATING
ESD CONTACT: 1.27µm MINIMUM NICKEL ALL OVER
- 3 HOLE FOR POSITIVE RETENTION SCREW
- 4 DASH NUMBERS INDICATE KEY ORIENTATION
(P/N 1410297-2 SHOWN ON DRAWING)
- 5 GROUND PAD Ø5mm ON RETENTION HARDWARE SIDE OF PCB
- 6 GUIDE MODULE W/O KEYING,
GUIDE PIN 1410548-2 & 1410548-3 MUST BE ORIENTED
TO PROVIDE PROPER ESD PERFORMANCE
- 7 FINISH:
HOUSING: NICKEL OVER COPPER.
ESD CONTACT: 1.27µm MINIMUM NICKEL ALL OVER.
- 8
- 9 OBSOLETE PARTS: OBSOLETE CIS STREAMLINING PER
D.RENAUD/D.SINISI

VIEW	ANGLE	REVISION	PART NUMBER		
VIEW W	6°	7	1-1410297-9		
VIEW Y	315°	7	1-1410297-8		
VIEW Z	270°	7	1-1410297-7		
VIEW Z	225°	7	1-1410297-6		
VIEW Z	180°	7	1-1410297-5		
VIEW Z	135°	7	1-1410297-4		
VIEW Y	90°	7	1-1410297-3		
VIEW Y	45°	7	1-1410297-2		
VIEW Y	0°	7	1-1410297-1		
SUPERSEDED BY	1-1410297-9	VIEW W	6°	2	1410297-9
SUPERSEDED BY	1-1410297-8	VIEW Y	315°	2	1410297-8
SUPERSEDED BY	1-1410297-7	VIEW Z	270°	2	1410297-7
SUPERSEDED BY	1-1410297-6	VIEW Z	225°	2	1410297-6
SUPERSEDED BY	1-1410297-5	VIEW Z	180°	2	1410297-5
SUPERSEDED BY	1-1410297-4	VIEW Z	135°	2	1410297-4
SUPERSEDED BY	1-1410297-3	VIEW Y	90°	2	1410297-3
SUPERSEDED BY	1-1410297-2	VIEW Y	45°	2	1410297-2
SUPERSEDED BY	1-1410297-1	VIEW Y	0°	2	1410297-1
ESD ORIENTATION	A°	PART NUMBER	4		

THIS DRAWING IS A CONTROLLED DOCUMENT FOR TYCO ELECTRONICS CORPORATION. IT IS SUBJECT TO CHANGE AND THE CONTROLLING ENGINEERING ORGANIZATION SHOULD BE CONTACTED FOR THE LATEST REVISION.

DWN	L.SIPE	26OCT2001	Tyco Electronics Corporation Harrisburg, PA 17105-3608	
CHK	D. DEFLAUGH	26OCT2001		
APVD	G. GRIFFITH	18APR2005		
PRODUCT SPEC				
MATERIAL			NAME	KEY/ESD GUIDE MODULE ASSEMBLY, 20.3mm, MULTIGIG, DAUGHTER CARD
DIMENSIONS:	mm	TOLERANCES UNLESS OTHERWISE SPECIFIED:	SIZE	A2
0 PLC	±		CAGE CODE	00779
1 PLC	±		DRAWING NO	C-1410297
2 PLC	±0.13		RESTRICTED TO	
3 PLC	±0.013		SCALE	
4 PLC	±		SHEET	1 OF 1
ANGLES	±		REV	A2
FINISH			CUSTOMER DRAWING	