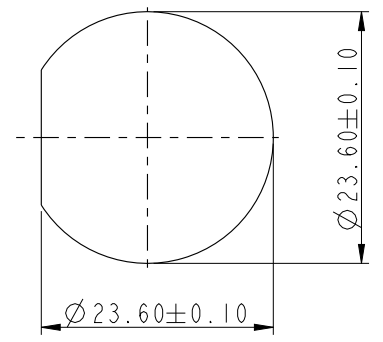
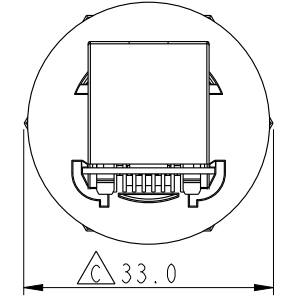
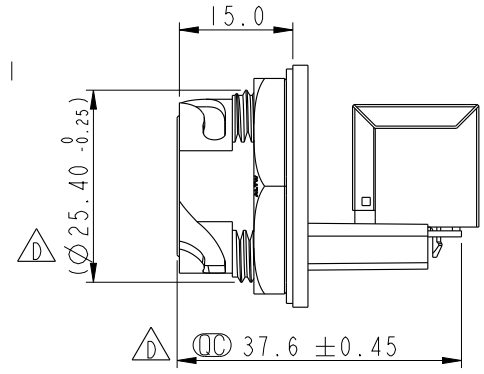
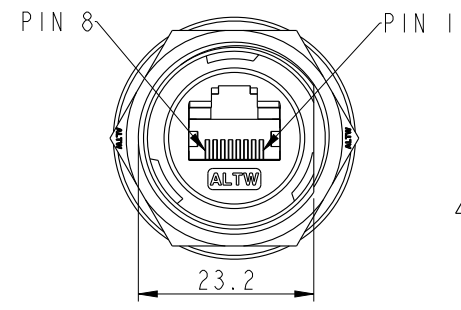
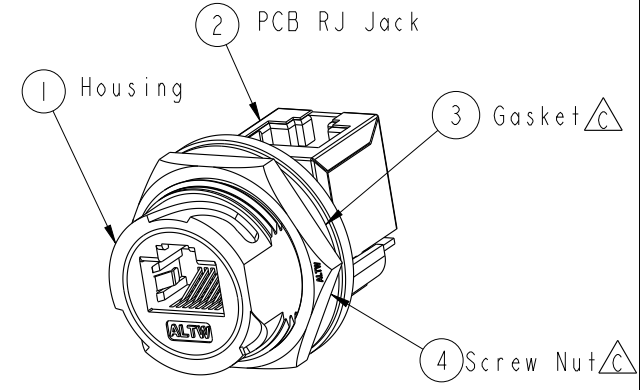
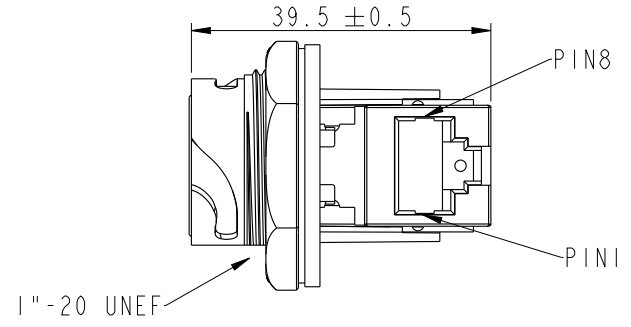
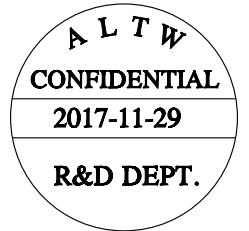


REV.	ECN NO.	DATE	SIGN	DESCRIPTION
C	LE31490113	2014-08-26	Feng-Li	Change Nut and Gasket
D	LEN1810063	2017-11-29	Jalam	Change The Tolerance



Recommended Panel Cut-out Rear View



- Note:
- \*  $\text{⌀}$  Important Dimension
  - \* Waterproof Rate : IP67 Unmated
  - \* Housing : Nylon+GF, BLACK
  - \* Screw Nut : Nylon+GF, BLACK
  - \* Gasket : Silicone, Gray
  - \* PCB: FR-4
  - \* Jack : PBT Polyester, BLACK
  - \* Use with waterproof cap or dust cap for Panel Thickness Max: 1.3mm
  - \* Use without waterproof cap or dust cap for Panel Thickness Max: 2.5mm
  - \* Screw torsion value range: 8-15kgf-cm

UNIT : mm		TITLE RJ45, D SIZE, WATERPROOF			ITEM NO RDP-5SPFFV-TCU7001	DRAWN BY Jalam	DATE 2017-11-29
		TOLERANCE .X ±0.25 .XX ±0.1 .XXX ±0.05 ANGLES ±1°	SCALE 1:1	SIZE A4	SHEET 1 OF 1	DWG NO RDP-5SPFFV-TCU7001	CHECKED BY Feng-Li
		REV. D	WC-REV. A.7	$\text{⌀}$ : Inspection item	CUSTOMER ALTW	APPROVED BY Jerry	DATE 2017-11-29

**Amphenol LTW**  
安費諾亮泰企業股份有限公司

THIS DOCUMENT IS SUBJECT TO CHANGE WITHOUT NOTICE. IT IS CONFIDENTIAL AND A PROPERTY OF Amphenol LTW. DISCLOSURE TO THIRD PARTY HAS TO BE AUTHORIZED BY Amphenol LTW.