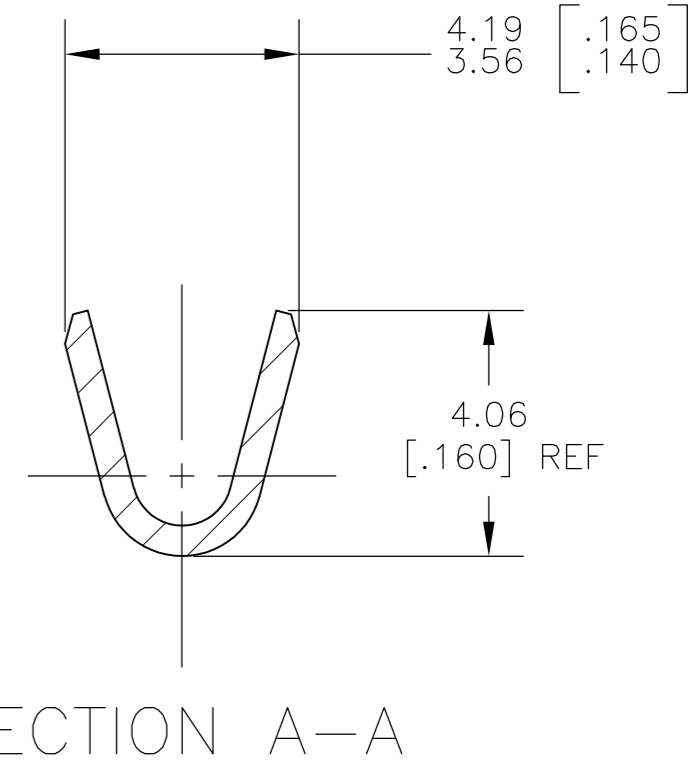
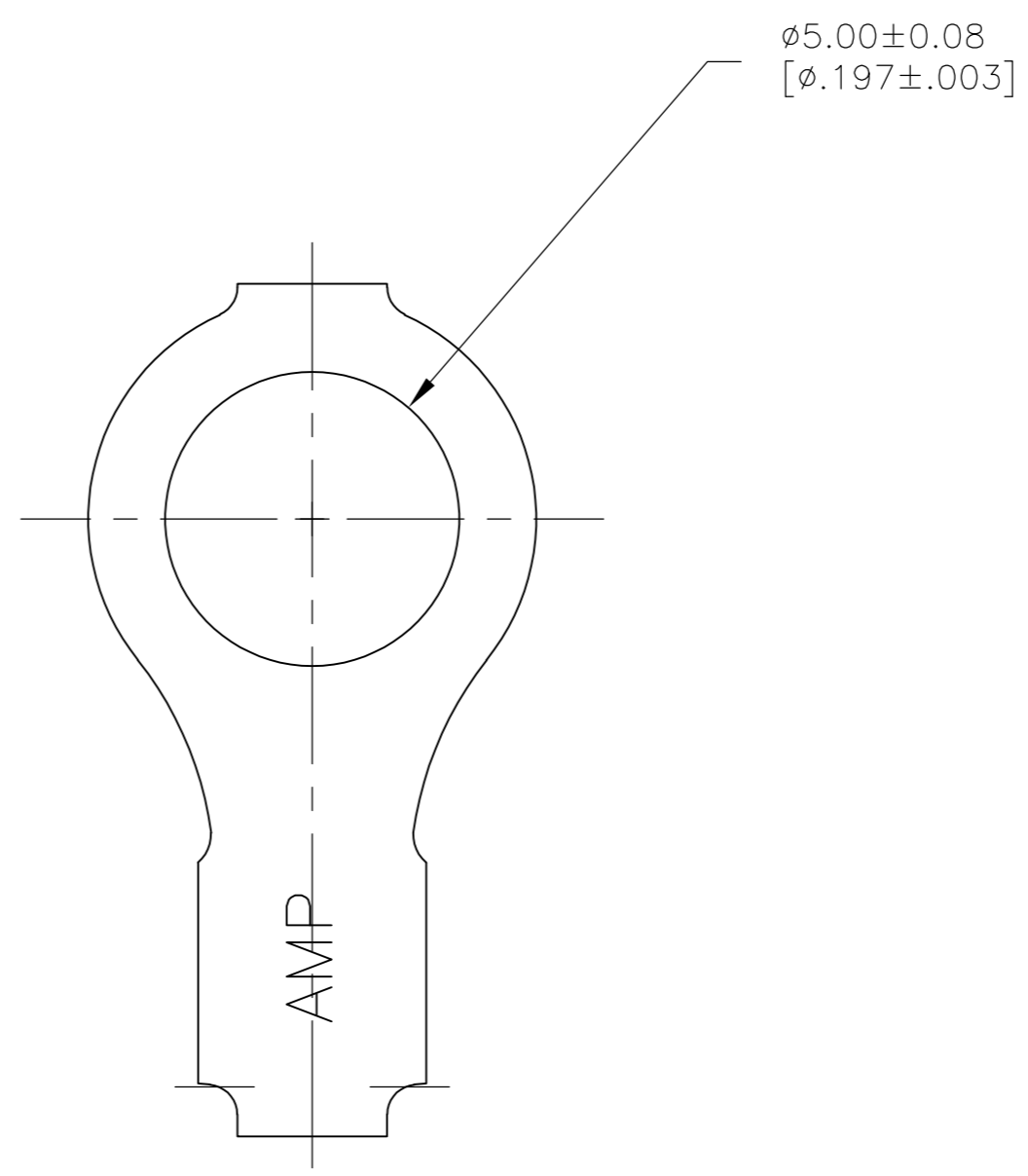
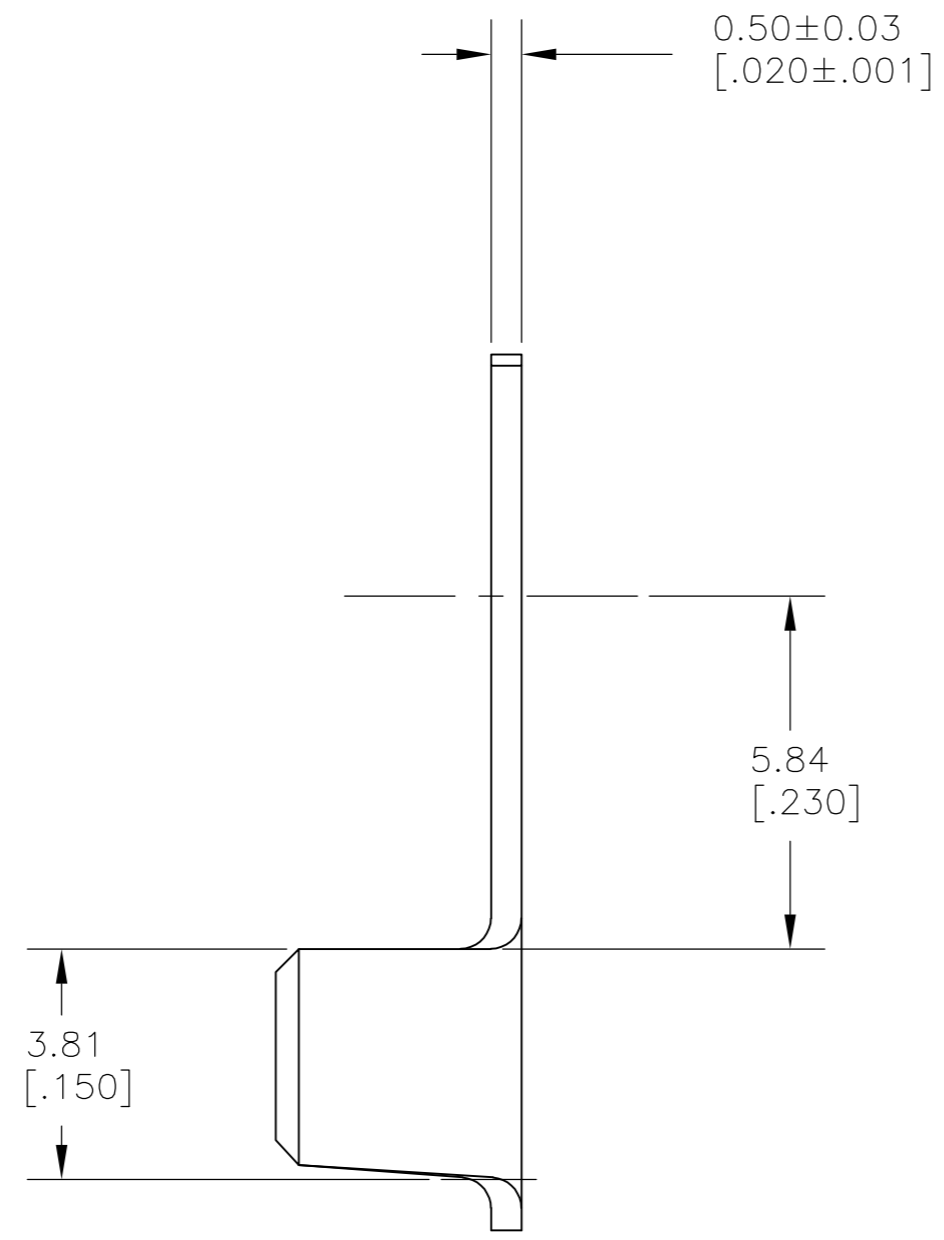
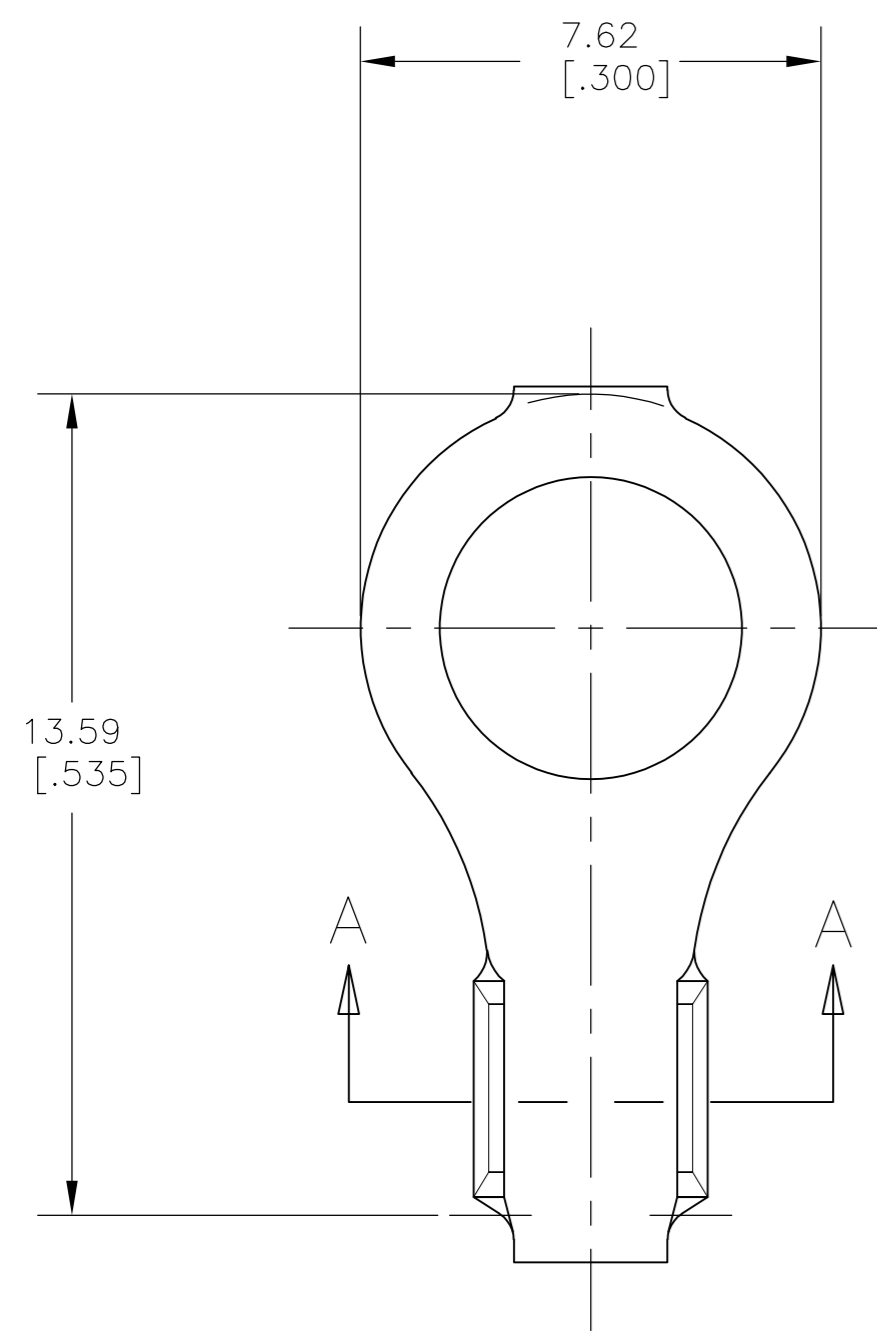


THIS DRAWING IS UNPUBLISHED. RELEASED FOR PUBLICATION
 © COPYRIGHT BY TYCO ELECTRONICS CORPORATION. ALL RIGHTS RESERVED.

LOC	DIST	REVISIONS			
P	LTR	DESCRIPTION	DATE	DWN	APVD
AF	50	K1	REDRAWN PER ECR-07-029463	6DEC07	MF DD

- 1 CONTINUOUS STRIP ON REELS.
- 2 WIRE RANGE: 0.8-2.0mm² [#18-#14] AWG.



34839
 PART NUMBER

THIS DRAWING IS A CONTROLLED DOCUMENT.		DWN 18OCT2007 MICHAEL S. FEHER	Tyco Electronics Corporation Harrisburg, PA 17105-3608	
DIMENSIONS: mm [INCHES]		CHK 18OCT2007 DONALD F. DECKER	NAME TERMINAL, RING NUMBER 10 STUD SIZE	
TOLERANCES UNLESS OTHERWISE SPECIFIED: 0 PLC ± - 1 PLC ± - 2 PLC ± - 3 PLC ± 0.38 [.015] 4 PLC ± - ANGLES ± 1°		APVD 18OCT2007 DONALD F. DECKER	SIZE CAGE CODE DRAWING NO RESTRICTED TO A2 00779 C=34839 -	
MATERIAL 082 BRASS	FINISH -	PRODUCT SPEC -	APPLICATION SPEC -	WEIGHT -
		CUSTOMER DRAWING		SCALE 8:1 SHEET 1 of 1 REV K1