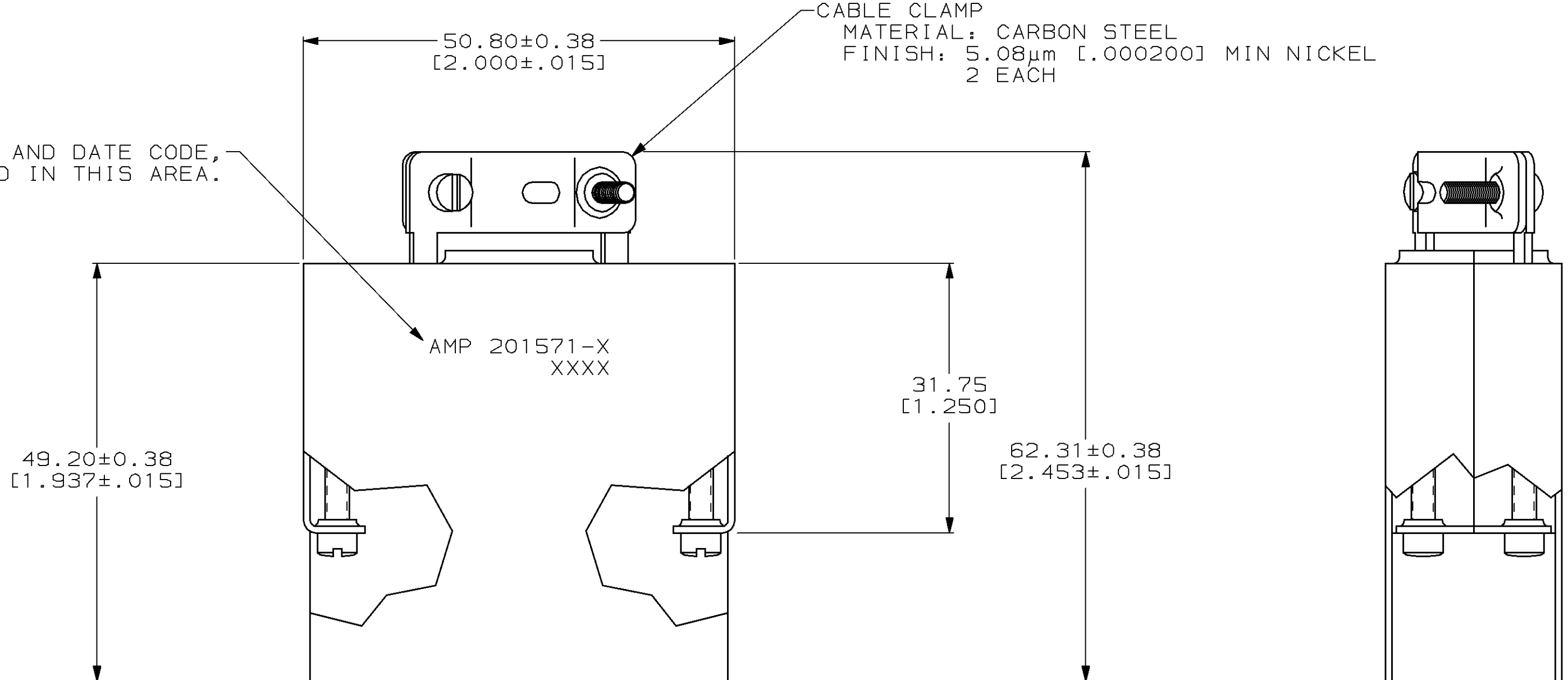
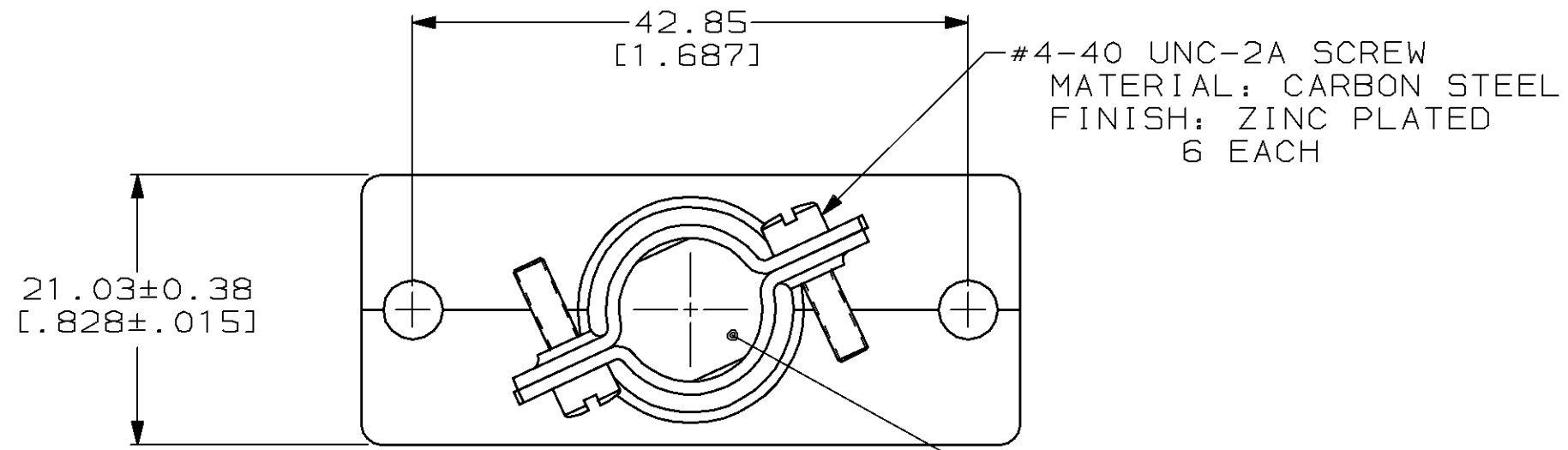


MOD	LOC	DIST	P	F	ZONE	LTR	DESCRIPTION	DATE	APPD
2	BD	36				E	REDRAWN W/O CHANGE PER EC 0020-1084-94	10/21/94	TC



FINISH	MATERIAL	PART NO
5.08µm [0.000200] MIN NICKEL	CARBON STEEL	201571-2
CLEAR ANODIZED	ALUMINUM ALLOY	201571-1

SHIELD HALF		PART NO	
DO NOT SCALE PRINT. UNLESS SPECIFIED DIMENSIONS IN mm [INCHES] TOLERANCES ON : 2 PLC DEC ±0.13 [0.005] 3 PLC DEC ± - ANGLES ± -	DR 10-21-94 D.HARDY	AMP Incorporated Harrisburg, PA 17105-3608	
MATERIAL SEE CALLOUTS	CHK 10-27-94 R.STONE		
FINISH SEE CALLOUTS	APPD 01-26-95 T.COULSON	NAME SHIELD KIT, UNASSEMBLED, LONG, 34 POSITION, M SERIES	
	APPD 01-26-95 T.COULSON	SIZE C	CAGE CODE 00779
	PRODUCT SPEC -	DRAWING NO C=201571	
	APPLICATION SPEC -	SCALE 2:1	SHEET 1 OF 1
	WEIGHT -		

THIS DRAWING IS A CONTROLLED DOCUMENT FOR AMP INCORPORATED. IT IS SUBJECT TO CHANGE AND THE CONTROLLING ENGINEERING ORGANIZATION SHOULD BE CONTACTED FOR THE LATEST REVISION.