

THIS DRAWING IS UNPUBLISHED. RELEASED FOR PUBLICATION  
 © COPYRIGHT BY TYCO ELECTRONICS CORPORATION. ALL RIGHTS RESERVED.

LOC	DIST	REVISIONS			
P	LTR	DESCRIPTION	DATE	DWN	APVD
FT	0				
	N	REVISED PER ECO-08-031035	15DEC08	HMR	GS
	N1	REVISED PER ECO-09-020935	09SEP09	KK	AEG

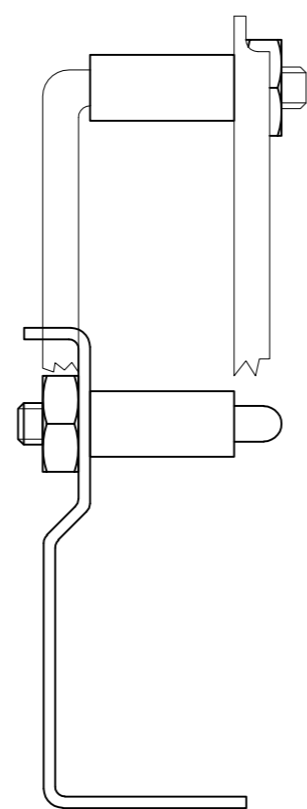
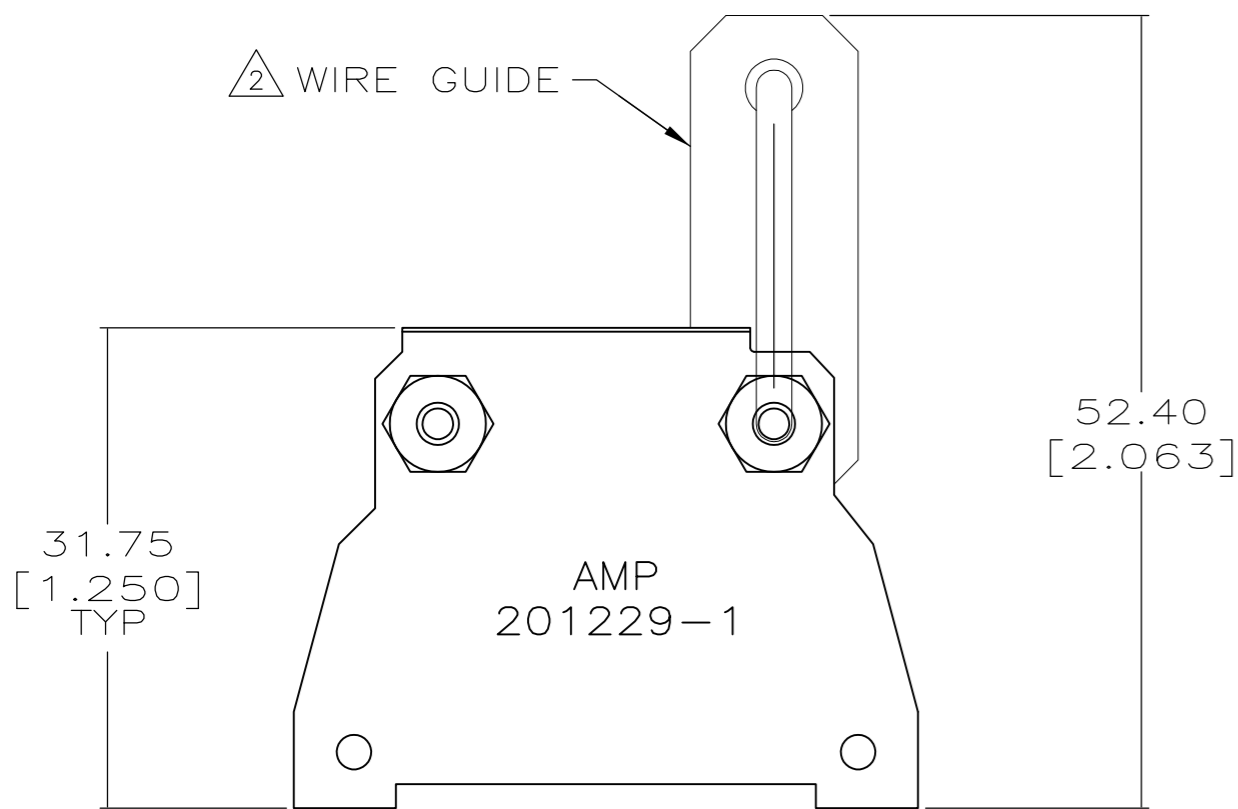
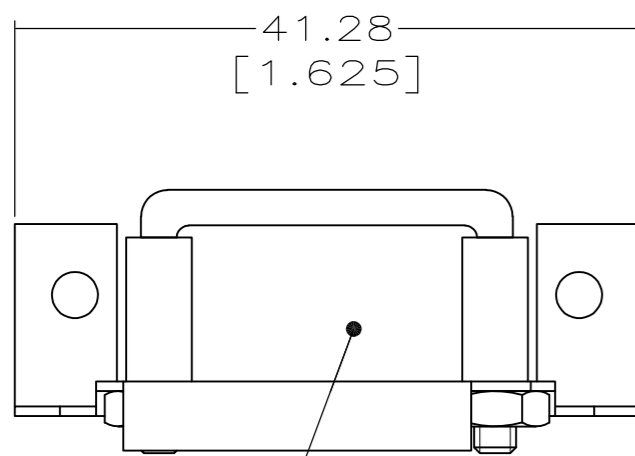
HEX NUT, 4-40 UNC  
 MATERIAL: CARBON STEEL  
 FINISH:  $\triangle 4$   
 2 EA

U BOLT  
 MATERIAL: STAINLESS STEEL  
 FINISH: PASSIVATED

WIRE GUIDE  
 MATERIAL: CARBON STEEL  
 FINISH:  $\triangle 1$

PROTECTIVE SLEEVE  
 MATERIAL: POLYVINYL CHLORIDE  
 2 EA

STRAIN RELIEF  
 MATERIAL: CARBON STEEL  
 FINISH:  $\triangle 1$



- $\triangle 1$  5.08um[.000200] MIN NICKEL.
- $\triangle 2$  WIRE GUIDE USED IN ALTERNATE POSITION FOR 90° CABLE OUTLET ONLY.
- $\triangle 3$  206.45 SQ mm [.320 SQ IN] MAX CLAMP AREA.
- $\triangle 4$  ZINC PLATED.
- $\triangle 5$  OBSOLETE PARTS: OBSOLETE CIS STREAMLINING PER D.RENAUD/D.SINISI

$\triangle 5$ OBSOLETE	201229-5
	201229-1

PART NUMBER

ASSEMBLED VIEW

THIS DRAWING IS A CONTROLLED DOCUMENT.		DWN C.REIFSNYDER 14 MAY 96	Tyco Electronics Corporation Harrisburg, Pa 17105-3608	
DIMENSIONS: mm [INCHES]		CHK R.STONE 24 MAY 96	NAME CLAMP KIT, UNASSEMBLED, STRAIN RELIEF, 26 PLACE M SERIES	
TOLERANCES UNLESS OTHERWISE SPECIFIED: 0 PLC ± - 1 PLC ± - 2 PLC ± 0.38[.015] 3 PLC ± - 4 PLC ± - ANGLES ± -		APVD G. STEINHAUER 21 JUN 96	DRAWING NO A2 00779 C=201229	
MATERIAL SEE CALLOUTS		FINISH SEE CALLOUTS	WEIGHT -	RESTRICTED TO -
CUSTOMER DRAWING		SCALE 2:1	SHEET 1 OF 1	REV N1