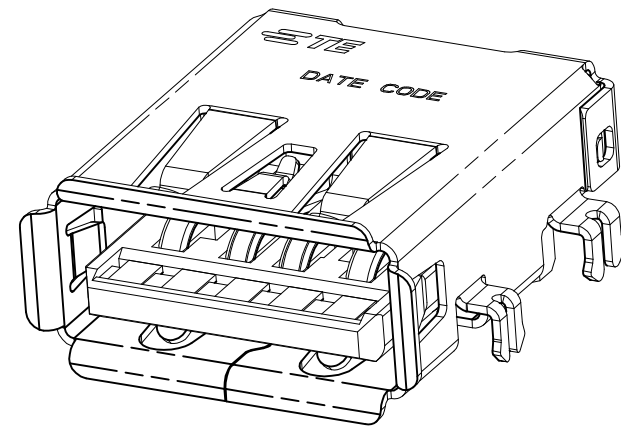
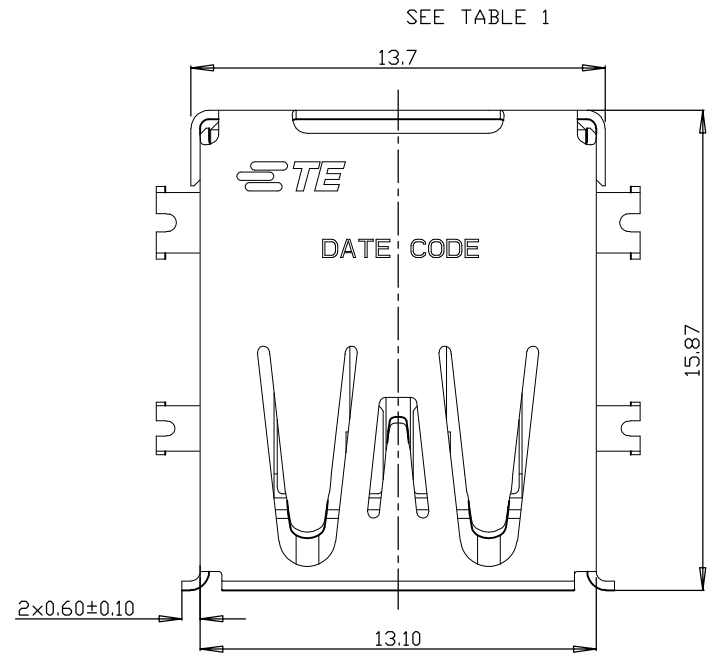


THIS DRAWING IS UNPUBLISHED.		RELEASED FOR PUBLICATION							
© COPYRIGHT - By -		ALL RIGHTS RESERVED.							
PIN ASSIGNMENT	1	2	3	4	5	6	7	8	9
SIGNAL NAME	VBUS	D-	D+	GND	STDA_SSRX-	STDA_SSRX+	GND_DRAIN	STDA_SSTX-	STDA_SSTX+
REMARK	USB 2.0 CONTACT PIN				USB 3.0 CONTACT PIN				

LOC	DIST	REVISIONS			
P	LTR	DESCRIPTION	DATE	DWN	APVD
ES	00	A	INITIAL RELEASE	25SEP2012	F.L S.Y
		A3	RELEASED PER ECR-13-009213	05JUNE2013	F.L S.Y
		-			- -



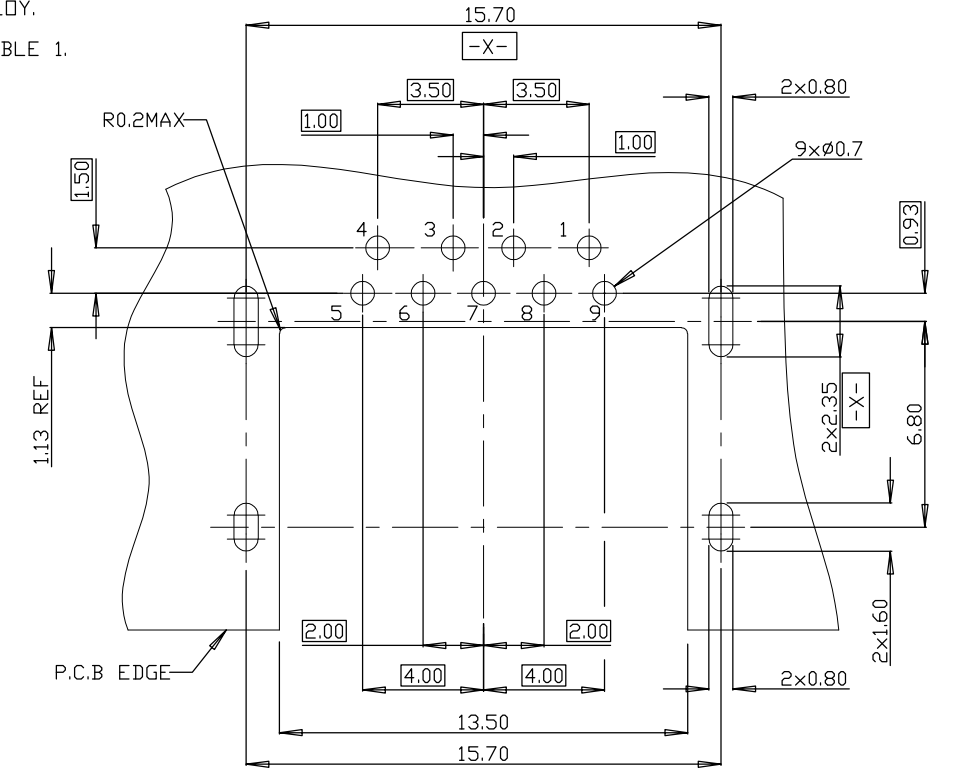
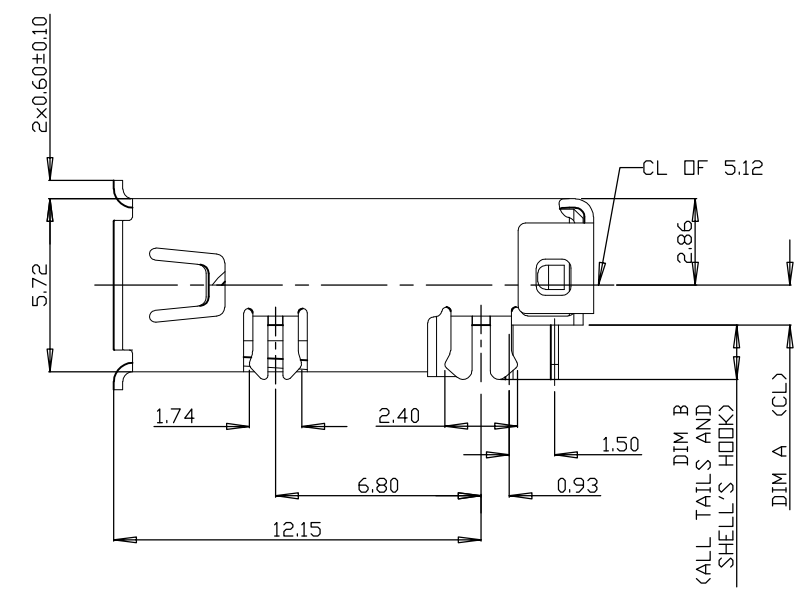
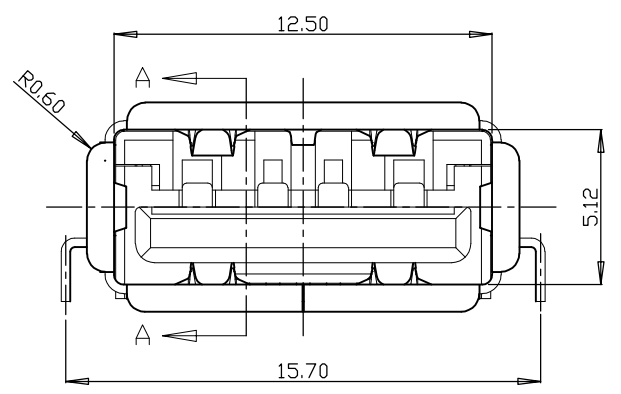
NOTE:

1 MATERIAL:
HOUSING: THERMOPLASTIC, BLACK;
LOW HALOGEN SPECIFICATION: CHLORINE 900 PPM MAX.
BROMINE 900 PPM MAX. CHLORINE AND BROMINE 1500 PPM MAX.
CONTACT: COPPER ALLOY.
SHELL: STEEL

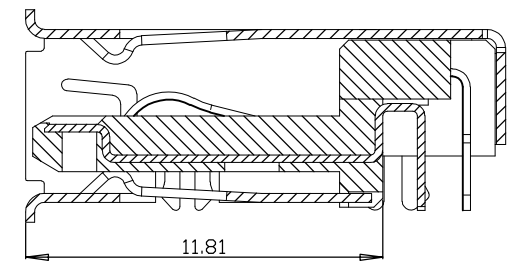
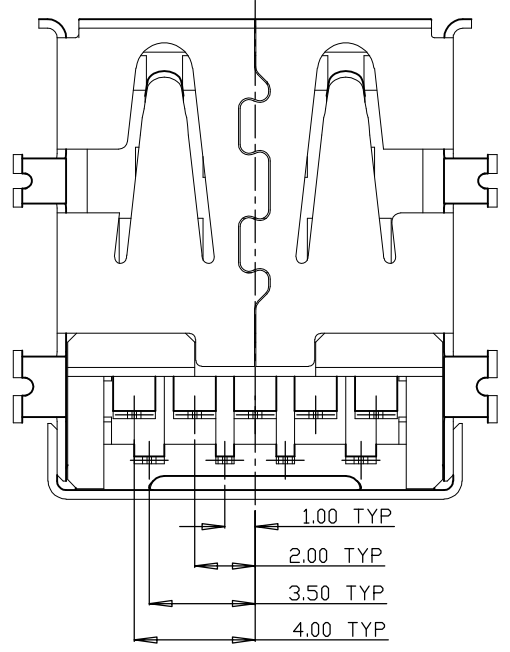
2 FINISH:
CONTACT:
GOLD PLATING ON CONTACT AREA, SEE TABLE,
2.54um MIN MATTE TIN PLATING ON SOLDER TAIL AREA,
1.27um NICKEL UNDER PLATING.
SHELL: SEE TABLE.

3 MATERIAL:
HOUSING: THERMOPLASTIC, BLUE (PANTONE 300C).
LOW HALOGEN SPECIFICATION: CHLORINE 900 PPM MAX.
BROMINE 900 PPM MAX. CHLORINE AND BROMINE 1500 PPM MAX.
CONTACT: COPPER ALLOY.
SHELL: STEEL

4. PIN ASSIGNMENT: SEE TABLE 1.



RECOMMENDED PCB LAYOUT, CONNECTOR MOUNTING SIDE VIEW
(THICKNESS=1.25 mm, TOLERANCE= ±0.03 mm)



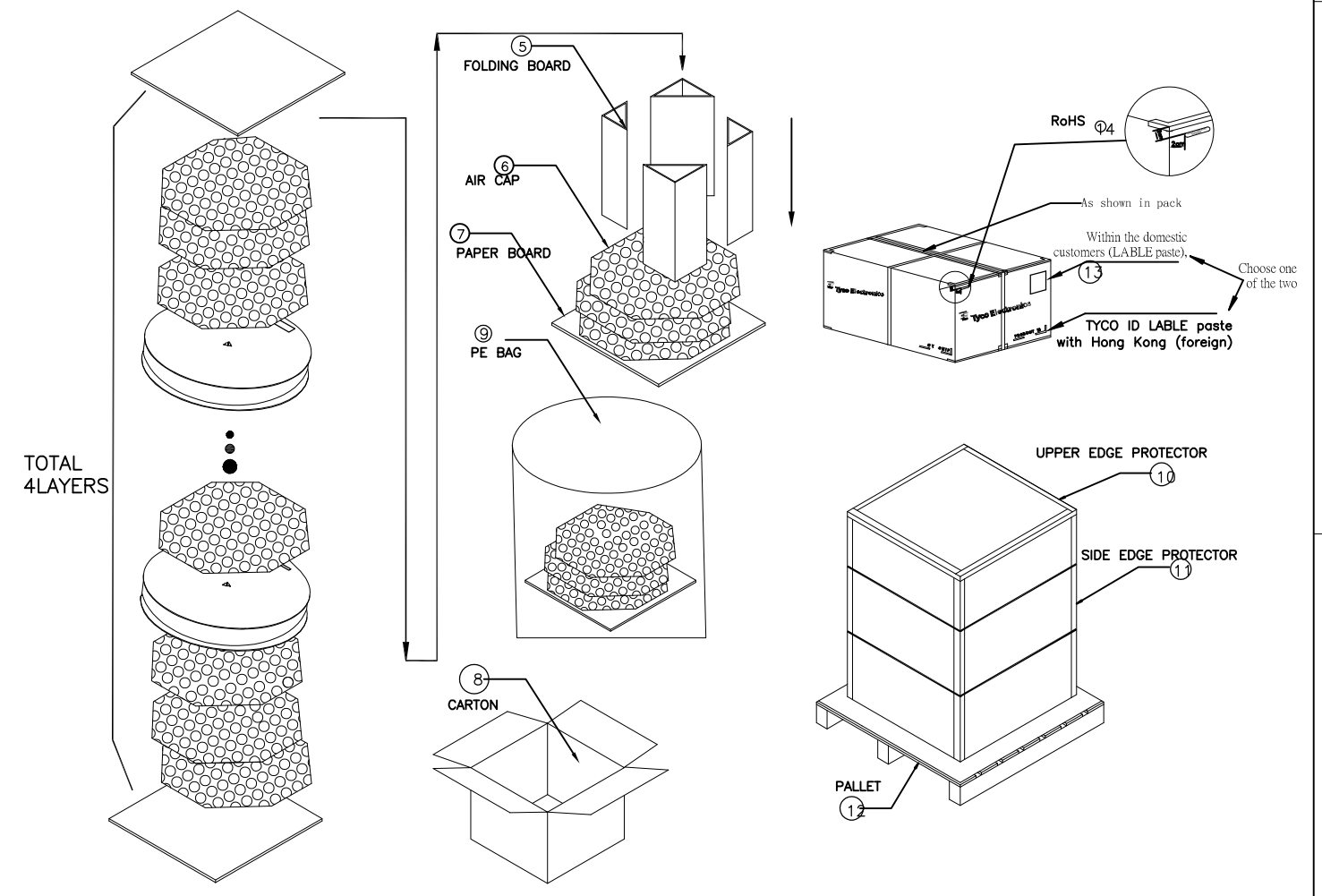
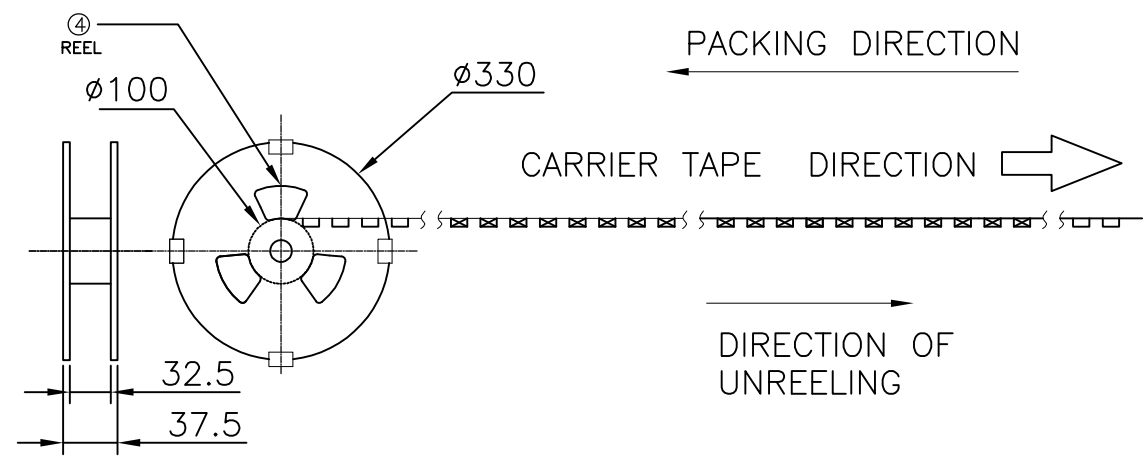
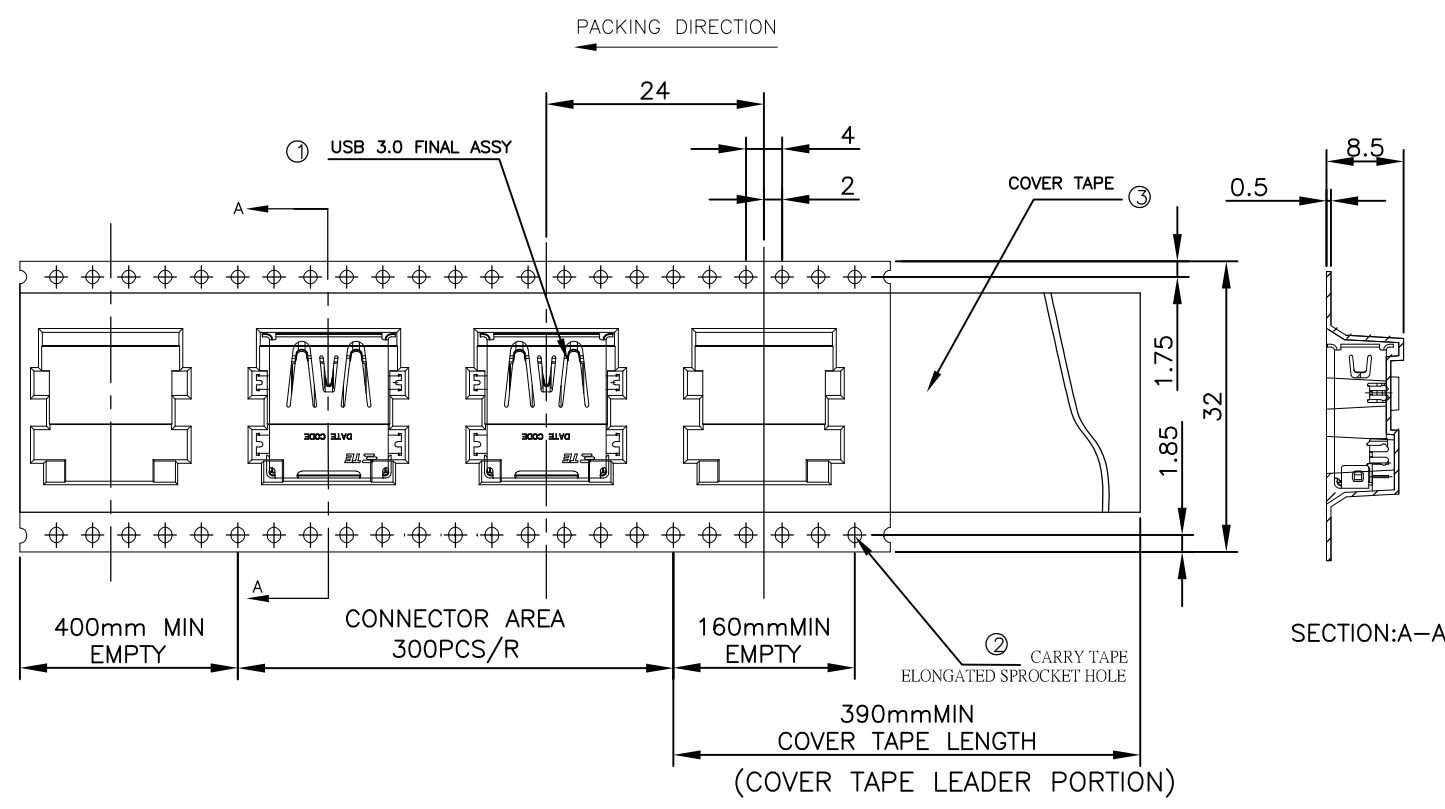
SECTION A-A

NICKEL + MATTEE TIN	0.13um MIN.	1.50	0.14	⚠	1932847-3
NICKEL + MATTEE TIN	0.76um MIN.	1.80	1.32	⚠	1932847-2
NICKEL + MATTEE TIN	0.76um MIN.	1.80	1.32	⚠	1932847-1
SHELL PLATING	CONTACT GOLD PLATING	DIM B	DIM A	MATERIAL	P/N

THIS DRAWING IS A CONTROLLED DOCUMENT.		DWN	25SEP2012	TE Connectivity USB 3.0 TYPE A RECEPTACLE REVERSE OFFSET TYPE	
		CHK	25SEP2012		
		APVD	25SEP2012		
		PRODUCT SPEC			
		APPLICATION SPEC		NAME	
		WEIGHT		SIZE	CAGE CODE
		CUSTOMER DRAWING		DRAWING NO	RESTRICTED TO
				A300779	C=1932847
				SCALE	SHEET
				4:1	1 OF 2
				REV	A3

THIS DRAWING IS UNPUBLISHED. RELEASED FOR PUBLICATION
 © COPYRIGHT - By - ALL RIGHTS RESERVED.

LOC	DIST	REVISIONS					
ES	00	P	LTR	DESCRIPTION	DATE	DWN	APVD
		-		SEE SHEET 1	-	-	-



TAPE REEL PACKAGE FOR 1932847-1,-2,-3

THIS DRAWING IS A CONTROLLED DOCUMENT.		DWN FRANCIS LEE 13MAY2011	TE Connectivity				
DIMENSIONS: mm		CHK MARTIN LI 13MAY2011				NAME	
TOLERANCES UNLESS OTHERWISE SPECIFIED:		APVD STEVEN YAO 13MAY2011	USB 3.0 TYPE A RECEPTACLE REVERSE OFFSET TYPE PACKING DRAWING				
0 PLC ± 0.35 1 PLC ± 0.35 2 PLC ± 0.35 3 PLC ± 0.35 4 PLC ± 0.1 ANGLES ± -		PRODUCT SPEC -	SIZE	CAGE CODE	DRAWING NO	RESTRICTED TO	
MATERIAL -		APPLICATION SPEC -	A3	00779	C-1932847	-	
FINISH -		WEIGHT -	CUSTOMER DRAWING		SCALE 4:1	SHEET 2 OF 2	REV A3