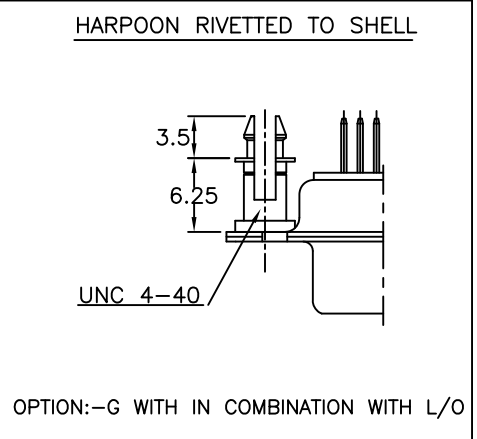
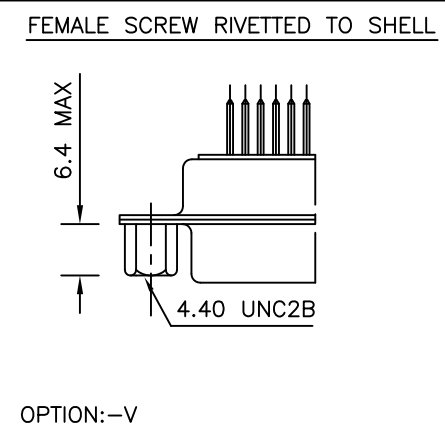
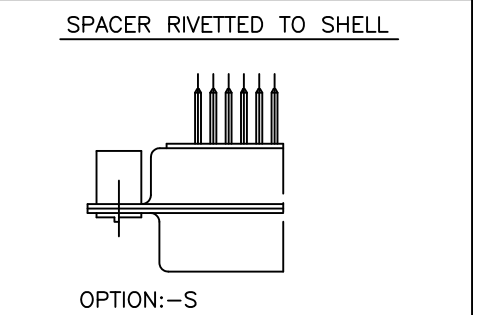
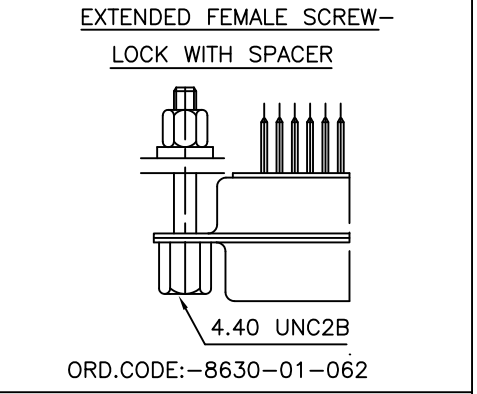
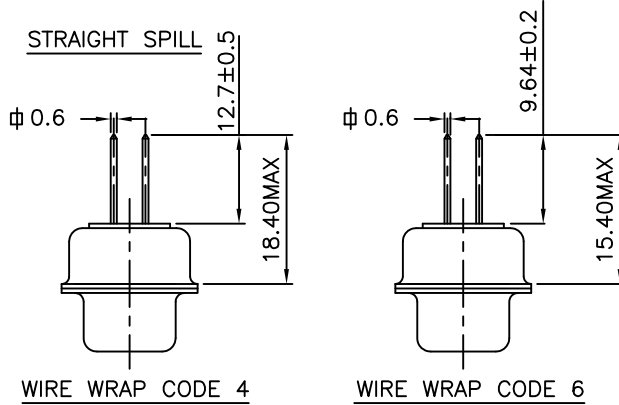
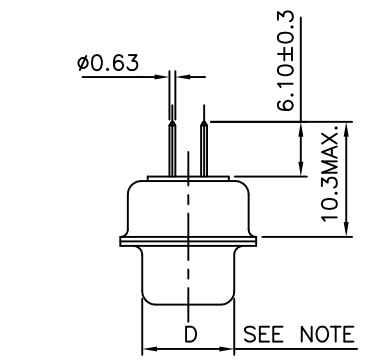
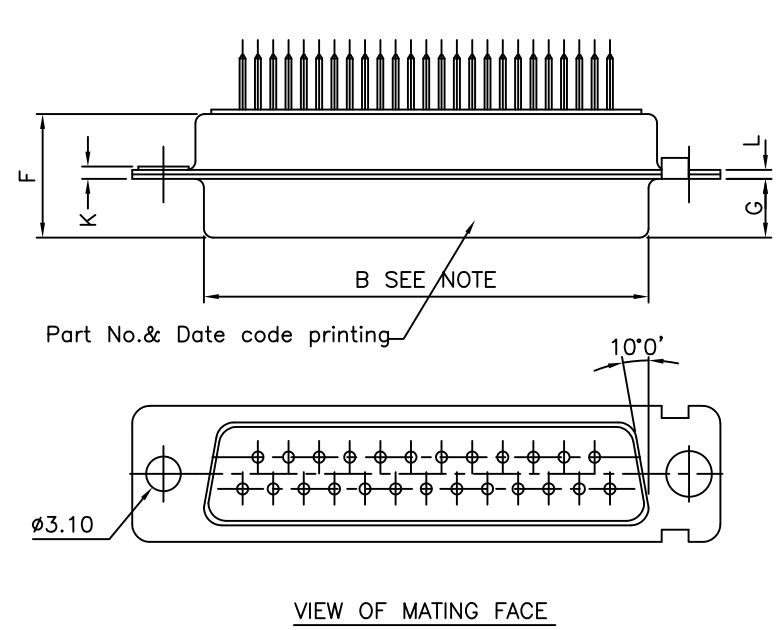
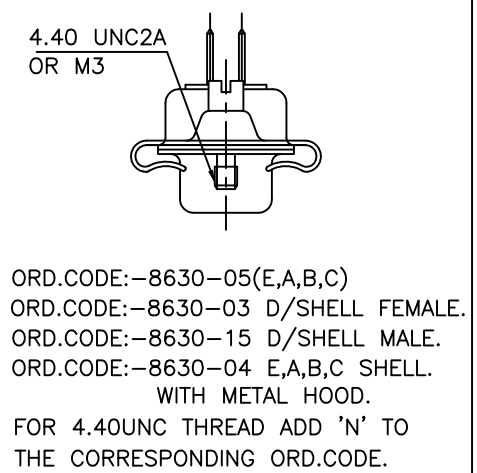
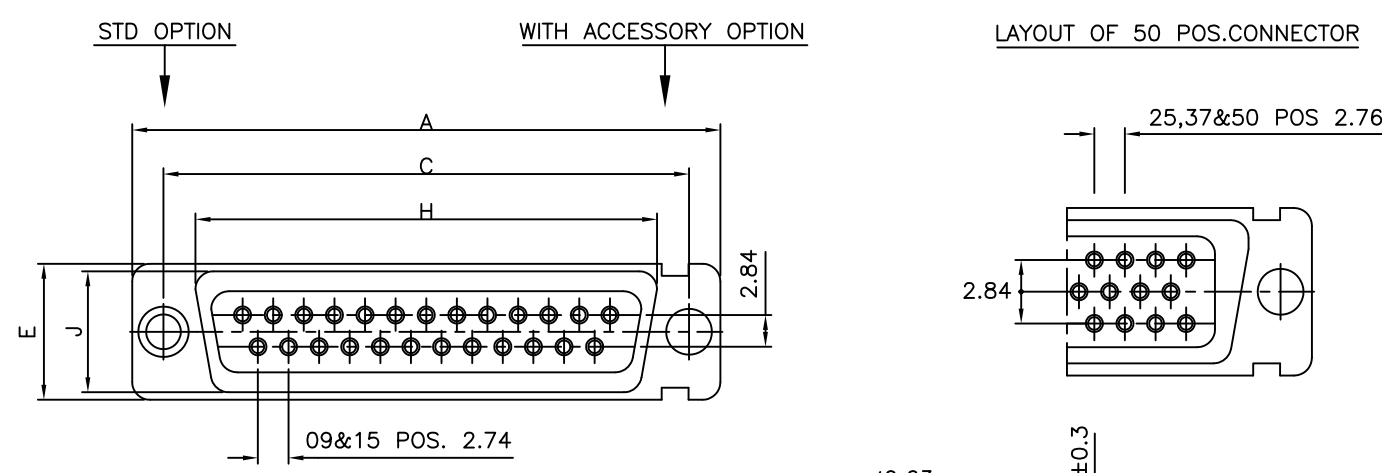


50	P	66.65	52.68	61.11	11.08	14.99	11.09	5.85	55.07	13.31	1.50	1.0
	S	66.65	52.30	61.11	10.62	14.99	11.21	6.05	55.07	13.31	1.10	0.8
37	P	68.94	55.30	63.50	8.23	12.17	11.09	5.85	57.45	10.46	1.50	1.0
	S	68.94	54.71	63.50	7.77	12.17	11.21	6.05	57.45	10.46	1.10	0.8
25	P	52.65	38.84	47.04	8.23	12.17	11.07	5.85	41.02	10.46	1.10	0.8
	S	52.65	38.25	47.04	7.77	12.17	11.21	6.05	41.02	10.46	1.10	0.8
15	P	38.76	25.12	33.32	8.23	12.17	10.99	5.85	27.25	10.46	1.10	0.8
	S	38.76	24.54	33.32	7.77	12.17	11.21	6.05	27.25	10.46	1.10	0.8
09	P	30.43	16.79	24.99	8.23	12.17	10.99	5.85	19.02	10.46	1.10	0.8
	S	30.43	16.21	24.99	7.77	12.17	11.21	6.05	19.02	10.46	1.10	0.8
SHELL SIZE		A-0	B-0	C	D-0	E-0	F MAX	G-0	H-0	J-0	K±0.20	L-0
		+0.76	+0.25	±0.12	+0.25	+0.76			+0.15	+0.51	+0.51	+0.22



**ORDERING INFORMATION**

SERIES: D B P V 25 P 3 64 C T X XXX LF LEAD FREE

SHELL SIZE: E,A,B,C,D SPECIAL CODES

CHARACTERISATION: P-DP SERIES DIMPLES- OPTIONAL X-ON MALE CONNECTORS ONLY

OPTIONS: BLANK-STANDARD BLANK-ZINC +Cr3 V-FEM. SCREW LOCK HEX. (UNC) L-CLINCH NUT (M3) O-CLINCH NUT (UNC) S-SPACER RIVETTED TO SHELL (S/S ONLY) SHELL PLATING T-STD. TIN over Cu

NO.OF CONTACTS: 09,15,25,37,50 CONTACTS: P - PIN S - SOCKET

CONTACT PLATING: 64 - 200 MATING CYCLES 65 - 500 MATING CYCLES

TERMINATION TYPE: 3-STRAIGHT SPILL 4-WIRE WRAP TERMINATION 12.70MM 6-WIRE WRAP TERMINATION 9.64MM

**TECHNICAL SPECIFICATIONS**

SHELLS : TIN/ZINC PLATED STEEL

INSULATOR MATERIAL : SELF EXTINGUISHING THERMOPLASTIC- TO UL CLASS 94 V0

THE HOUSING WILL WITHSTAND EXPOSURE TO 260-265°C IF WE USE PROTECTIVE ADHESIVE (type Kapton or Teflon) OR PROTECTIVE METALLIC DEVICE

CONTACTS DIA ON ACTIVE AREA : 1 MM.

CONTACTS MATERIAL : COPPER ALLOY

CONTACT PLATING : GXT / GOLD OVER NICKEL

OPERATING TEMPERATURE : -55°C +125°C

OPERATING CURRENT : 7.5 A PER CONTACT

CONTACT RESISTANCE : <7.3 mΩ

INSULATION RESISTANCE : >5000 MΩ

MAXIMUM VOLTAGE : 1000 V.r.m.s

MECHANICAL ENDURANCE : 500 MATINGS FOR CODE 65 : 200 MATINGS FOR CODE 64

DAMP HEAT : 56 DAYS FOR CODE 65 : 21 DAYS FOR CODE 64

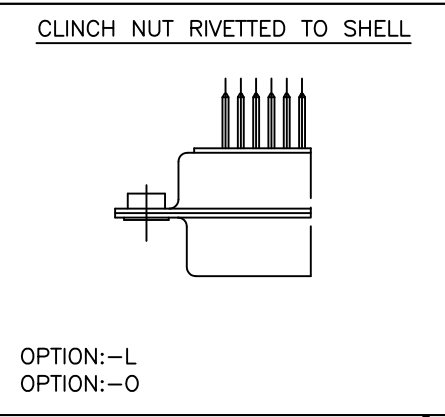
"This LF product meets European Union Directives and other country regulations as described in GS-22-008"

The housing will withstand exposure to 260°C peak temperature for 3.5 seconds in a wave solder application with a 1.6mm minimum thick circuit board.

Pckaging as per GS-14-920

NOTE:-INSIDE DIMENSIONS OF MALE AND OUTSIDE DIMENSIONS OF THE FEMALE CONNECTOR.

mat'l. code SEE NOTE 4		surface ISO 1302 ✓	tolerance ISO 406 ISO 1101	projection	product family D-SUB
ltr ecn no dr date		tolerances unless otherwise specified		MM	title D-SUB S/S,W/W CONNECTOR (DP SERIES WITH ASSEMBLY OPTIONS)
F	I06-0074	GVJ	2006-06-08		
G	I08-0047	AMR	2008-03-25	scale -	dwg no sheet 1 of 1 size 5
H	I08-0125	AMR	2008-09-25		
J	I08-0139	AMR	2008-10-13	FCI	C-DSUB-0067 A3
K	I09-0075	AMR	2009-05-14		
L	I11-0003	AMR	2011-01-06	type Product Customer Drawing	
sheet index		revision	L		
		sheet	1		



FCIconnect.com

Copyright FCI