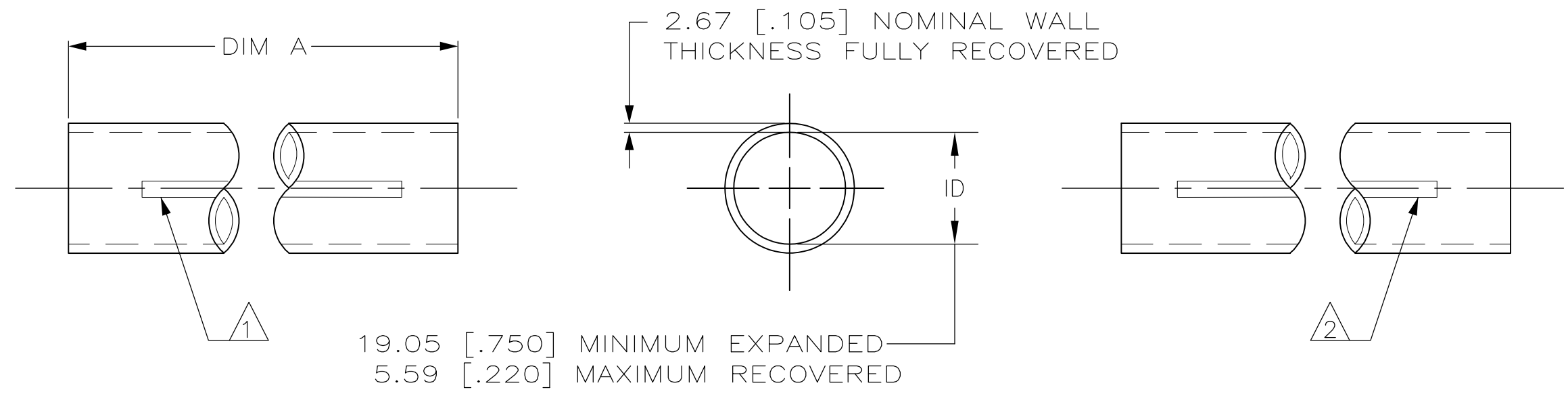


THIS DRAWING IS UNPUBLISHED. RELEASED FOR PUBLICATION .19
 © COPYRIGHT 19 BY AMP INCORPORATED. ALL RIGHTS RESERVED.

LOC	DIST	REVISIONS			
P	LTR	DESCRIPTION	DATE	DWN	APVD
AA	25				
P		ADD: 8/6; NPR C99-007	03FEB99	GG	EH
P1		REVISED PER ECO-09-020774	24AUG09	KK	AEG



- 1. PRODUCT MARKED WITH AMP, AND DATE CODE WITH 6.35 [.25] HIGH CHARACTERS USING WHITE INK LOCATED ALONG THIS SURFACE. REPEATED EVERY 203.2 [8.0] INCHES.
- 2. PRODUCT MARKED .750 - .220/ 19mm - 5.6mm WITH 6.35 [.25] HIGH CHARACTERS USING WHITE INK LOCATED ALONG THIS SURFACE. REPEATED EVERY 203.2 [8.0].
- 3. SEALANT APPLIED TO TUBING THROUGHOUT LENGTH.
- 4. DIMENSIONS SPECIFIED WITHOUT SEALANT.
- 5. KIT CONSISTING OF 54053-8, 25 PIECES.
- 6. WEIGHT PER LINEAR FOOT: 31.7 GRAMS/.07 POUND.
- 7. KIT CONSISTING OF 54053-5, 2 PIECES.
- 8. KIT CONSISTING OF 54053-1, 1000 PIECES.
- 9. OBSOLETE PARTS: OBSOLETE CIS STREAMLINING PER D.RENAUD/D.SINISI

			8	9	8-54053-6
			7	9	8-54053-5
	304.8 ±4.8	[12.00 ±.19]			54053-8
	152.4 ±4.8	[6.00 ±.19]		9	54053-5
	50.8 ±3.3	[2.00 ±.13]			54053-4
			5		54053-3
	76.2 ±4.8	[3.00 ±.19]		9	54053-1

THIS DRAWING IS A CONTROLLED DOCUMENT.		DWN W CHANDLER 11FEB99	AMP AMP Incorporated Harrisburg PA 17105-3608	
DIMENSIONS: mm [INCHES]		CHK D. KAAT 1-26-94		
TOLERANCES UNLESS OTHERWISE SPECIFIED:		APVD D. KAAT 2-1-94	NAME AMPSULATION HWP31, HST, WITH SEALANT, .750 INCHES DIAMETER, RED	
0 PLC ± -		PRODUCT SPEC	SIZE	
1 PLC ± -		APPLICATION SPEC	CAGE CODE	
2 PLC ± -		WEIGHT	DRAWING NO	
3 PLC ± -			RESTRICTED TO	
4 PLC ± -			A3 00779 C-54053	
ANGLES ± -			SCALE NTS	
FINISH			SHEET 1 OF 1	
MATERIAL RED POLYOLEFIN			REV P1	
		CUSTOMER DRAWING		