

NOTES: UNLESS OTHERWISE SPECIFIED.

1. MATERIAL & FINISH:

- 1.1 BODY: (133-9801-201) GOLD PLATED COPPER ALLOY
(133-9801-204) SILVER PLATED COPPER ALLOY
- 1.2 INTERFACE: (133-9801-201) GOLD PLATED BERYLLIUM COPPER
(133-9801-204) SILVER PLATED BERYLLIUM COPPER
- 1.3 INSULATOR: PTFE (TEFLON)
- 1.4 CENTER CONTACT:
(133-9801-201) GOLD PLATED COPPER ALLOY
(133-9801-204) SILVER PLATED COPPER ALLOY

2. ELECTRICAL SPECIFICATIONS:

- 2.1 IMPEDANCE: 50 OHMS
- 2.2 FREQUENCY RANGE: 0 - 6 GHz
- 2.3 WORKING VOLTAGE: 335 VRMS MAX AT SEA LEVEL
- 2.4 DIELECTRIC WITHSTANDING VOLTAGE: 1000 VRMS MIN AT SEA LEVEL
- 2.5 INSULATION RESISTANCE: 1000 MEGOHM MIN
- 2.6 CONTACT RESISTANCE:
CENTER CONTACT - INITIAL 5 MILLIOHM MAX, AFTER ENVIRONMENTAL 8 MILLIOHM MAX
OUTER CONDUCTOR - INITIAL 1 MILLIOHM MAX, AFTER ENVIRONMENTAL 1.5 MILLIOHM MAX
- 2.7 CORONA LEVEL: 250 VOLTS MIN AT 70,000 FEET
- 2.8 RF HIGH POTENTIAL WITHSTANDING VOLTAGE: 600 VRMS AT 4 AND 7 MHz

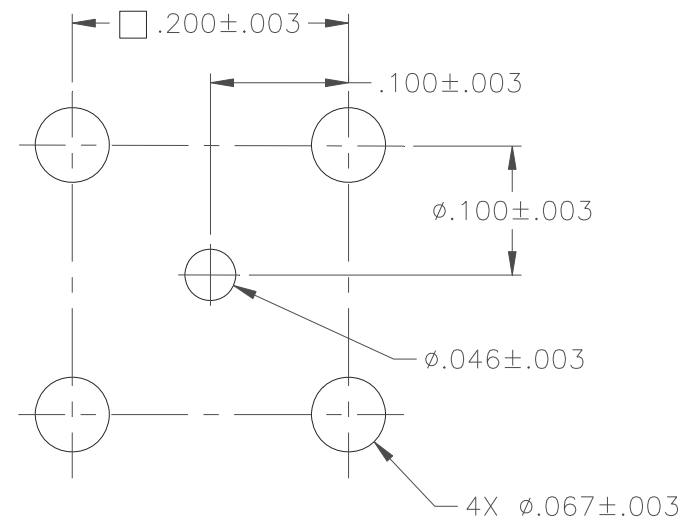
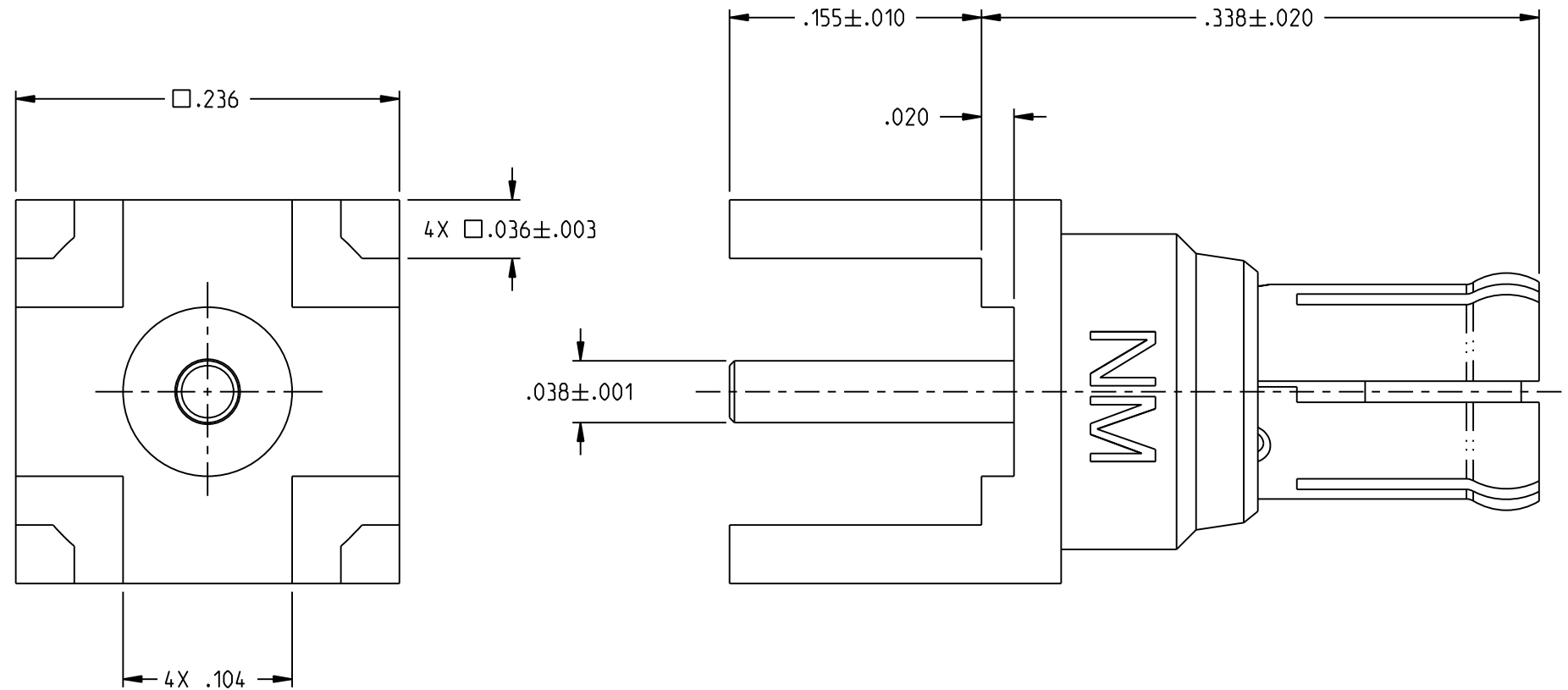
3. MECHANICAL SPECIFICATIONS:

- 3.1 ENGAGE/DISENGAGE FORCE: 5.6 LBS MAX ENGAGEMENT
1.0/8.0 LBS MIN/MAX DISENGAGEMENT
- 3.2 CONTACT RETENTION FORCE: 2.3 LBS MIN AXIAL FORCE
- 3.3 COUPLING MECHANISM RETENTION: 20 LBS MIN AXIAL FORCE
- 3.4 DURABILITY: 500 CYCLES MIN

4. ENVIRONMENTAL:

- 4.1 (MEETS OR EXCEEDS THE APPLICABLE PARAGRAPH OF MIL-PRF-39012)
- 4.2 THERMAL SHOCK: MIL-STD-202, METHOD 107, CONDITION F
- 4.3 OPERATING TEMPERATURE: -65 DEG C TO 165 DEG C
- 4.4 CORROSION: MIL-STD-202, METHOD 101, CONDITION B
- 4.5 SHOCK: MIL-STD-202, METHOD 213, CONDITION B
- 4.6 VIBRATION: MIL-STD-202, METHOD 204 CONDITION B
- 4.7 MOISTURE : MIL-STD-202, METHOD 106

5. CONNECTOR MARKED "NM" FOR NON-MAGNETIC.



MOUNTING HOLE LAYOUT

		JOHNSON	
	RoHS2 <input checked="" type="checkbox"/> 2011/65/EU	Title: PLUG ASSEMBLY STRAIGHT PC MOUNT NON-MAGNETIC MCX	
<small>This PROPRIETARY Document is property of Cinch Connectivity Solutions. It is confidential in nature, non-transferable, and issued with the clear understanding that it is not to be traced or copied without permission and is returnable upon demand.</small>		Model No. 133-9801-201/210	Date 8/01/2016
INTERPRET DRAWING IN ACCORDANCE WITH ASME Y14.5-2009.		Size B	Sheet 1 OF 1