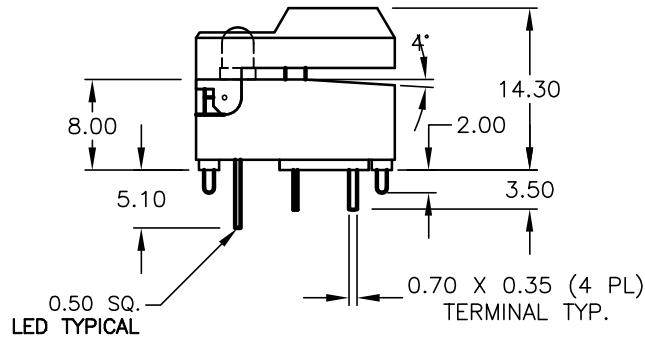
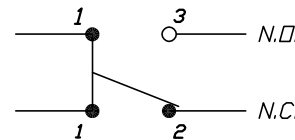
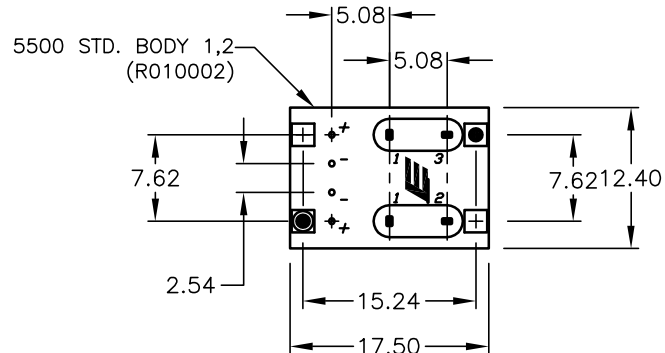


RECOMMENDED P.C.B. LAYOUT



LED SPECIFICATION	SYMBOL	RED L.E.D		GREEN L.E.D		UNITS		
		MAX.	MIN.	TYP.	MAX.		MIN.	TYP.
POWER DISSIPATION	P _D	80	--		100	--	mW	
FORWARD VOLTAGE	V _F	2.8	1.9	2.2	2.8	1.9	2.2	V
REVERSE VOLTAGE	V _R	5			5			V
EMISSION WAVELENGTH	λ _P			695			570	nm
AVE. FORWARD CURRENT	I _{AF}	30	--		30	--		mA
LUMINOUS INTENSITY	I _v		0.7	22		6.0	15	mcd



CIRCUIT: SPDT
CONTACT CONFIGURATION

NOTES:

1. ALL DIMENSIONS IN MM
2. GENERAL TOLERANCE: X.X=±0.4
X.XX=±0.25
3. TERM. NO. FOR REF. ONLY
4. RATING: 12mA @24V
5. FIXED CONTACT/MOVING CONTACT:
COPPER ALLOY W/GOLD PLATE
6. CONTACT BOUNCE: <5m SEC.
7. CONTACT RESISTANCE: <50milli-OHMS

E-SWITCH®

A	14111	RELEASED FOR PRODUCTION	6/22/04	AR
REV.	ECN No.	DESCRIPTION	DATE	CHKD

TITLE					5511MGRNREDGRN				
SCALE	DATE	DR	DWG	REV	1.5:1	6/22/04	AR	XR0237P	A

THE INFORMATION CONTAINED IN THIS DOCUMENT IS PROPRIETARY TO E-SWITCH AND IS NOT TO BE COPIED OR TRANSFERRED