

THIS DRAWING IS UNPUBLISHED.      RELEASED FOR PUBLICATION      20  
 © 2016 COMMSCOPE INC. CONFIDENTIAL      NOTICE: THESE DRAWINGS AND SPECIFICATIONS ARE THE PROPRIETARY PROPERTY OF COMMSCOPE, INC. AND MAY BE USED ONLY FOR THE SPECIFIC PURPOSE AUTHORIZED IN WRITING BY COMMSCOPE, INC.

REVISIONS				
P	LTR	DESCRIPTION	DATE	APVD
C		REV; 40033535MCO	28SEP2016	GG TE

1 MATERIAL:

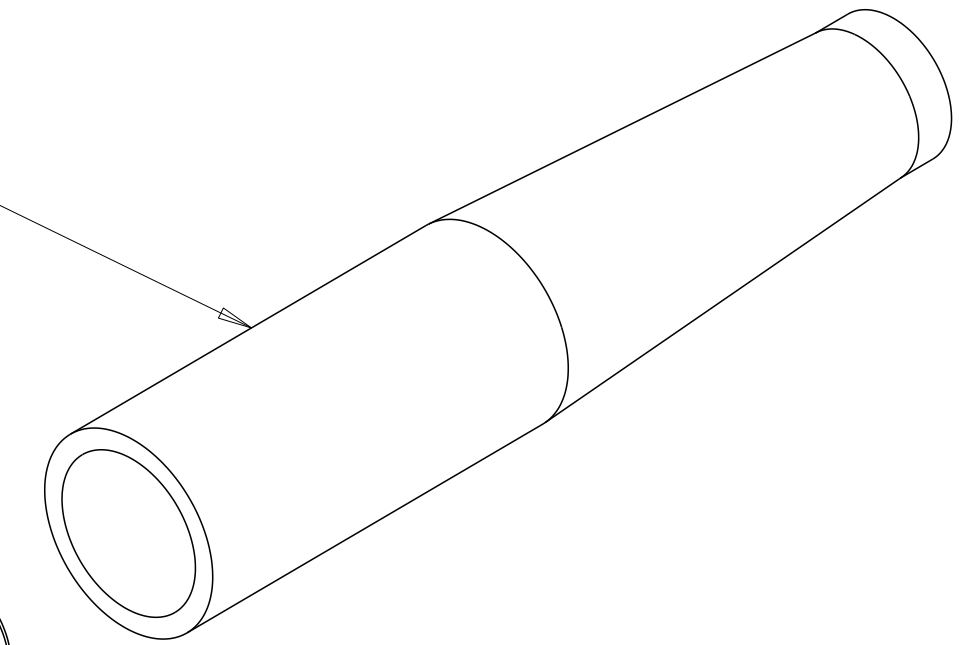
CONNECTOR HOUSING: PBT-GF17, COLOR: BEIGE.\*  
 CONNECTOR SUBASSEMBLY:  
 PLUG BODY: PES-GF20, COLOR: BEIGE.\*  
 SPRING: STAINLESS STEEL  
 FERRULE ASSEMBLY: CERAMIC/PBT-GF17, COLOR: BEIGE.\*  
 EPOXY-FILL TUBING: PVC, COLOR: CLEAR, UL VW-1 RATED.  
 RETAINER BODY: PES-GF20, COLOR: BEIGE.\*  
 CRIMP EYELET: TIN PLATED COPPER  
 BOOT: TPE, COLOR: SEE TABLE.\*  
 PROTECTIVE COVER: LDPE, COLOR: BLACK, NON-FR.  
 \*UL94 V-0 RATED AT QUALIFYING THICKNESS.

2. FOR USE WITH 2.0mm "LOOSE-JACKETED" CABLE.

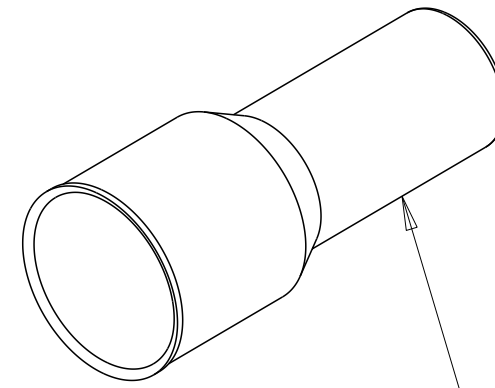
3 BULK PACKAGE.

4. INSTRUCTION SHEET 408-8674

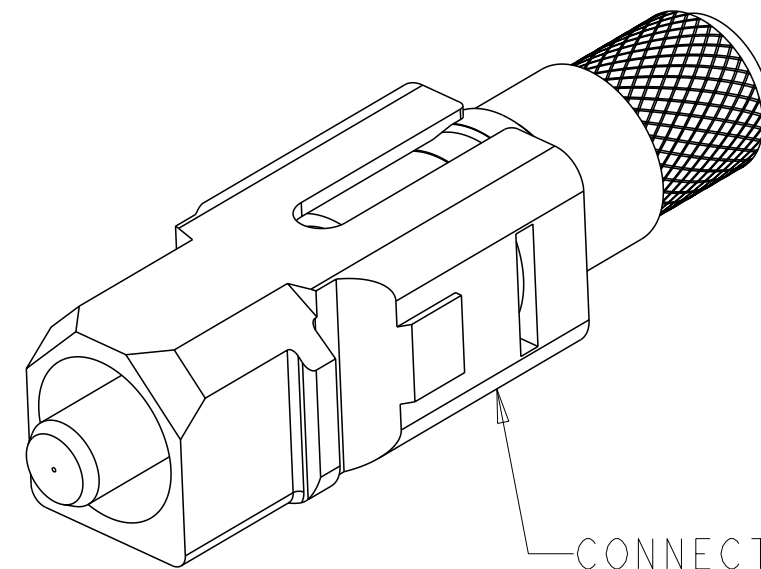
SHORT BOOT



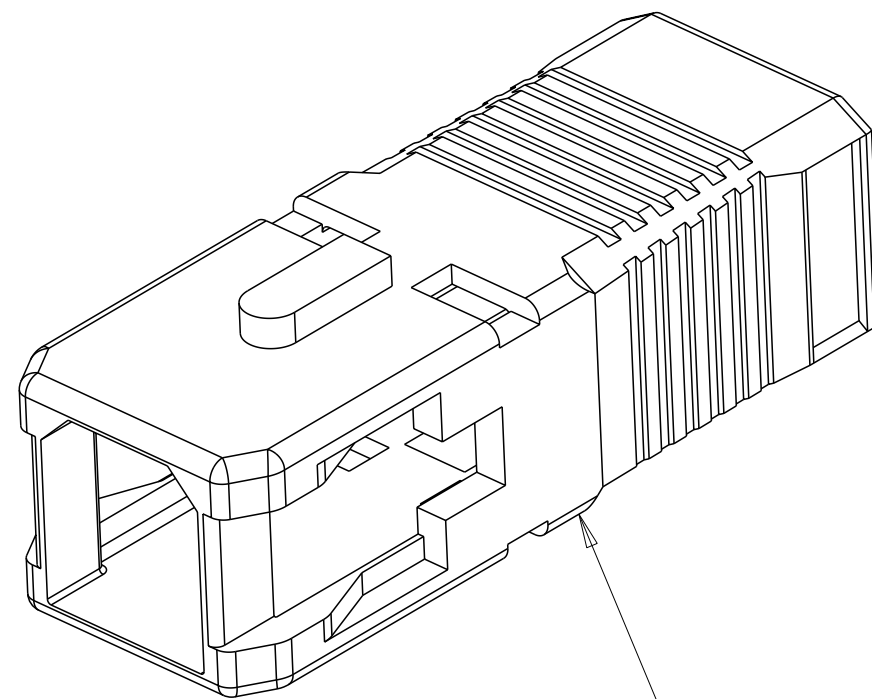
CRIMP EYELET



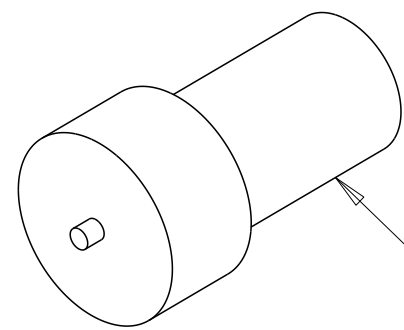
CONNECTOR SUBASSEMBLY



CONNECTOR HOUSING



PROTECTIVE COVER



BLACK	5504931-6
AQUA	5504931-5
RED	5504931-4
BLACK	5504931-3
BEIGE	5504931-1
BOOT COLOR	PART NUMBER

THIS DRAWING IS A CONTROLLED DOCUMENT.		DWN B. BRIGGS 05JAN2006	<b>COMMSCOPE, INC.</b> NAME AMP SC, MULTIMODE CONNECTOR KIT, 2.0mm			
DIMENSIONS:		CHK S. MILLER 05JAN2006				
mm		APVD S. BUCHTER 05JAN2006				
TOLERANCES UNLESS OTHERWISE SPECIFIED:		PRODUCT SPEC				
0 PLC	±	APPLICATION SPEC	SIZE	CAGE CODE	DRAWING NO	RESTRICTED TO
1 PLC	±	WEIGHT	A200779	C-5504931		
2 PLC	±	CUSTOMER DRAWING	SCALE	5:1	SHEET	1 OF 1
3 PLC	±					REV C
4 PLC	±					
ANGLES	±					
FINISH	-					