

PART NAME: KNOB SCALE: 1:1 DATE: 6/23/41 DR. BY JC

THIS DRAWING IS THE PROPERTY OF DAVIES MOLDING COMPANY, IS SUBMITTED SOLELY AS A DESIGN OR ENGINEERING PROJECT. WE ACCEPT NO RESPONSIBILITY WHATSOEVER FOR THE PRACTICAL APPLICATION OF THE PIECES MADE TO THIS DESIGN.



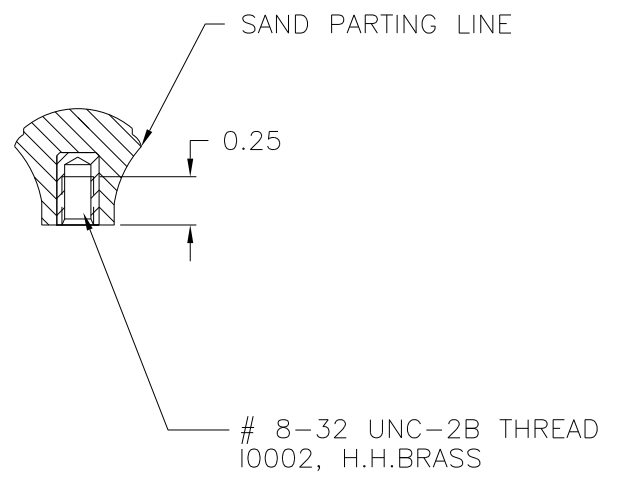
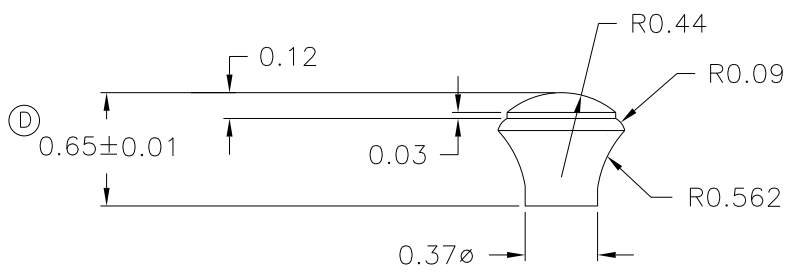
DESIGNERS & MANUFACTURERS OF KNOBS, HANDLES, CASES & CUSTOM PLASTIC COMPONENTS

P/N 3001-S

BASE PART 3001-05

Ⓒ Ⓑ

Ⓐ



MATERIAL: G.P. PHENOLIC (B11)
COLOR: BLACK

TOLERANCES: UNLESS OTHERWISE SPECIFIED	DO NOT SCALE DRAWING	D	WAS 0.61±0.015	JAM	7/8/16
		C	ADDED BASE PART	JAM	5/15/13
DECIMALS: X.XXX ± .005 X.XX ± .015	MM: X.XX ± 0.15MM X.X ± 0.4MM	B	CORRECTED TOOLING BOX	TS	6/7/02
		A	CORRECTED DWG WAS 1001-1 PIN	HD	12/8/97
FRACTIONS ± 1/64	ANG. ± 1°	-	CAD/REDRAWN DWG	HD	3/26/93
CHANGES					