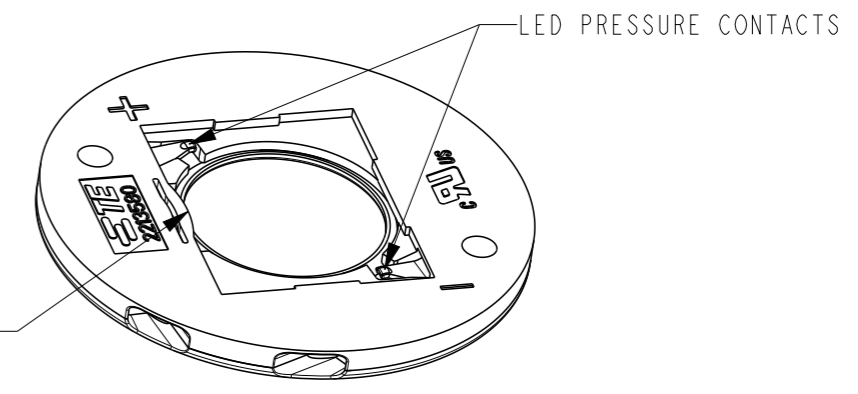
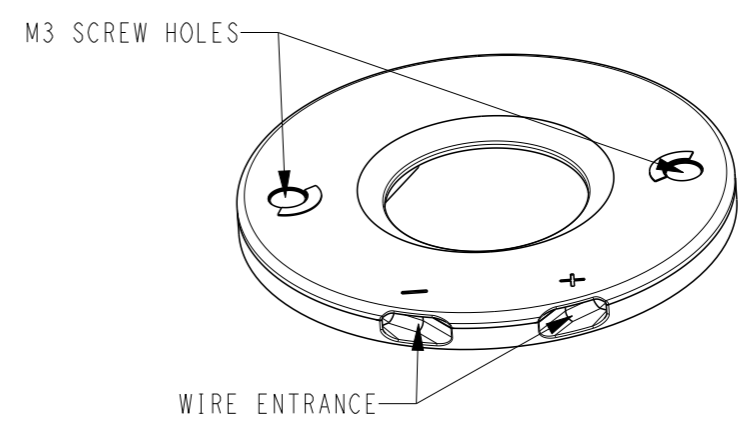
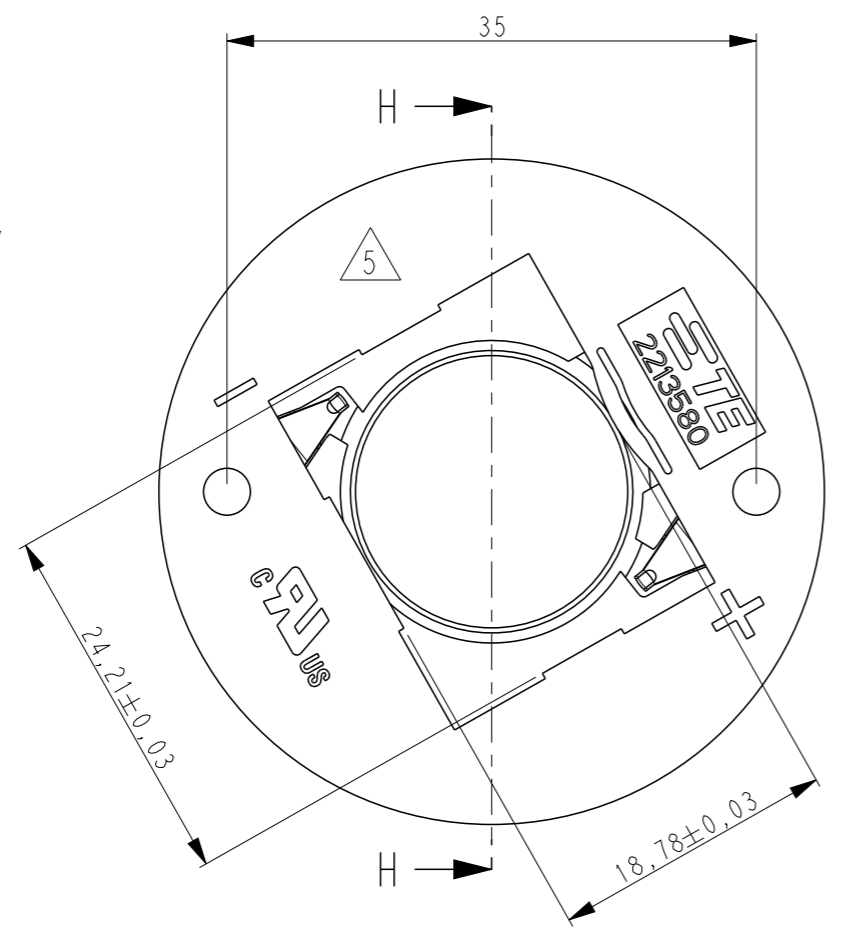
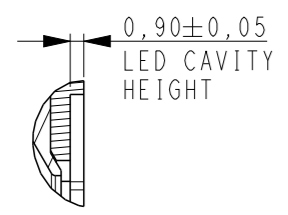
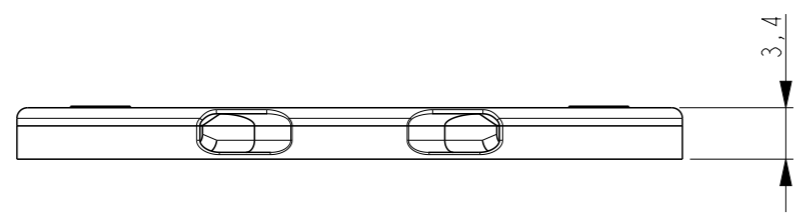
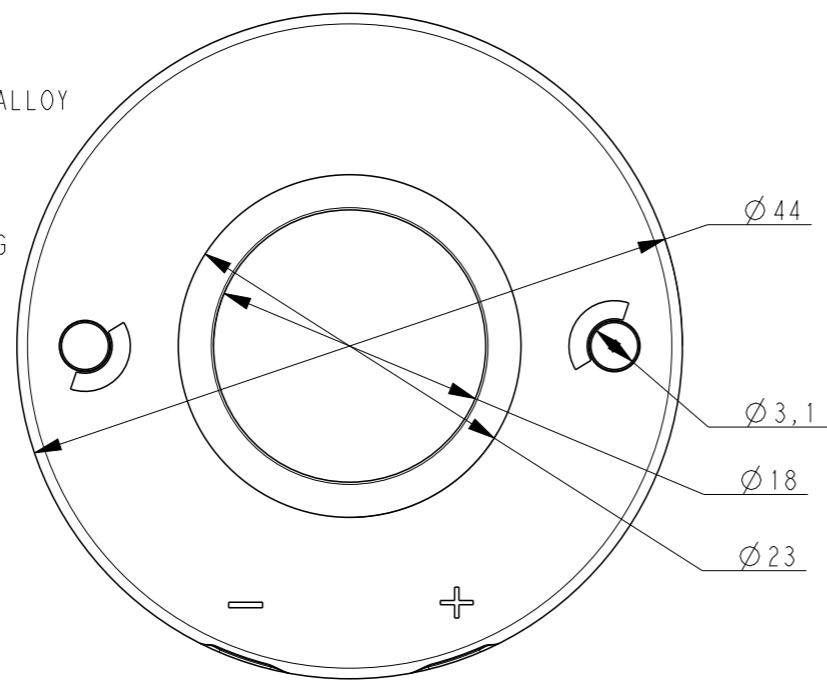


THIS DRAWING IS UNPUBLISHED. RELEASED FOR PUBLICATION
 © COPYRIGHT - BY TYCO ELECTRONICS CORPORATION. ALL RIGHTS RESERVED.

LOC	DIST	REVISIONS			
P	LTR	DESCRIPTION	DATE	DWN	APVD
	4	UPDATED LED CAVITY DIMENSIONS	28NOV2014	MVE	OL
	A	ECR-15-003196 (PRODUCT RELEASE)	26FEB2015	KR	OL
	A1	ECR-16-001206	27JAN2016	KR	MvE
	B	ADDED RELEASED LED	06FEB2017	KR	MvE

- NOTES:
- MATERIALS:
HOUSING: GLASS FILLED PBT,
COLOR : NATURAL/WHITE
CONTACTS: SILVER PLATED COPPER ALLOY
 - FOR SOLID AND STRANDED WIRE
AWG 22-18
 - COMPLIES WITH
DIRECTIVE 2002/95/EC (ROHS)
 - M3 SCREW TO BE USED FOR MOUNTING
- △ DATE CODE YY-WW-D ANY WHERE EXCEPT OVER LOGO OR +/- SIGN.



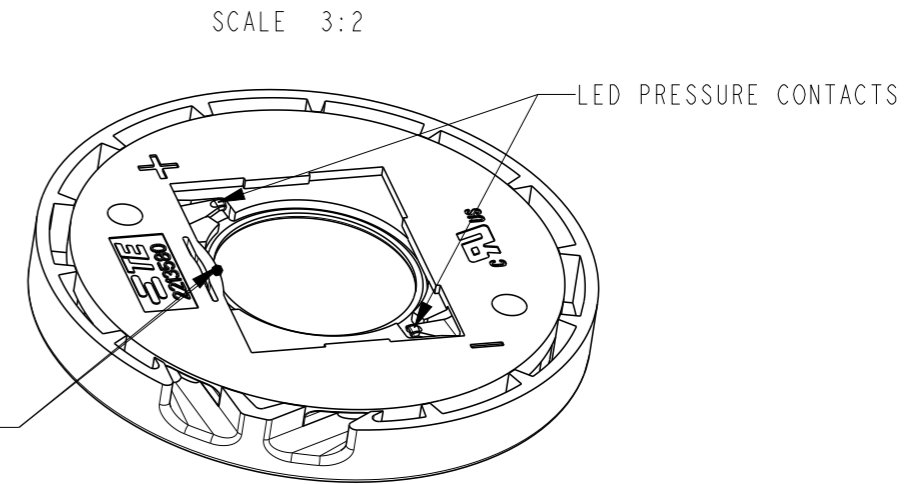
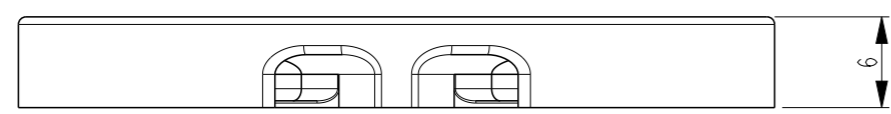
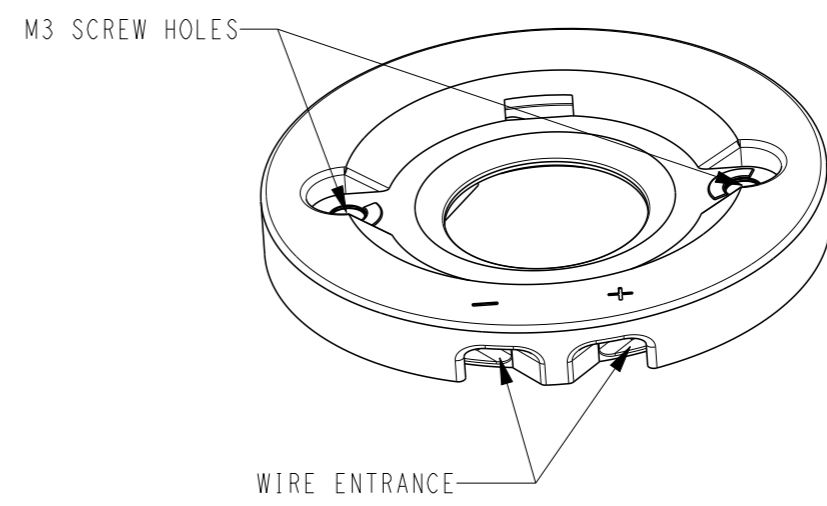
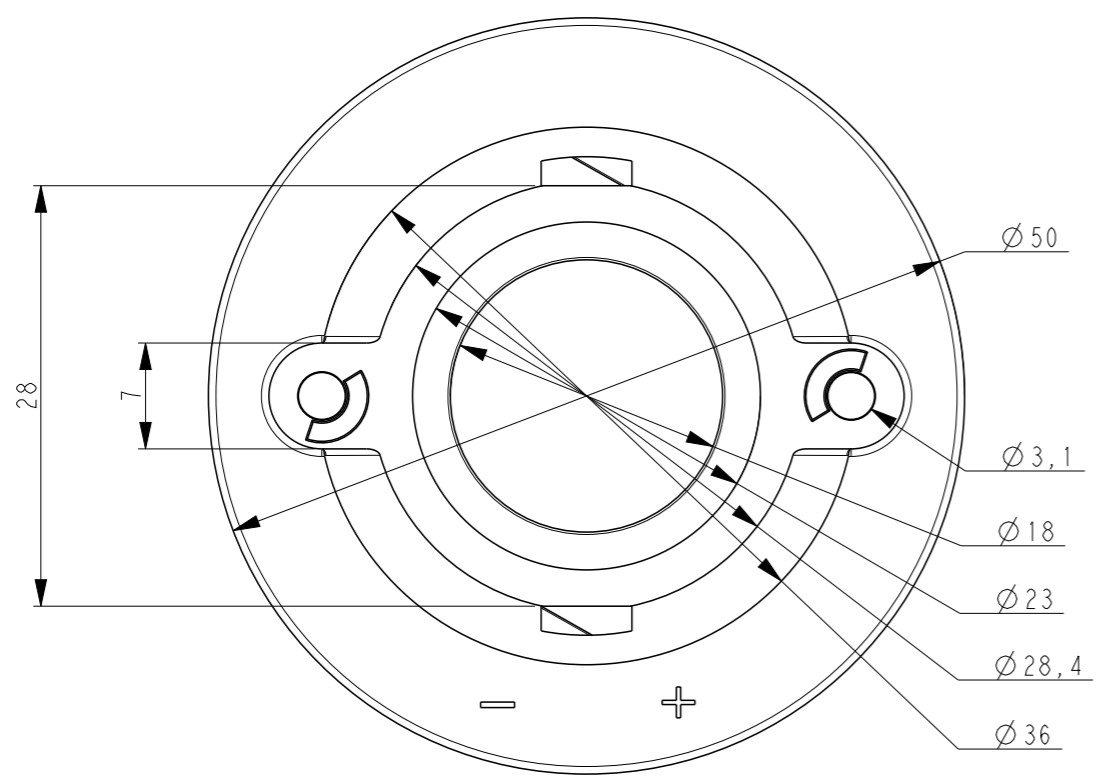
2213580-1 AS SHOWN
LUMAWISE LED HOLDER Z50 LOW PROFILE

LUMAWISE LED HOLDER Z50 STANDARD PROFILE 1924	2213580-2
LUMAWISE LED HOLDER Z50 LOW PROFILE 1924	2213580-1
DESCRIPTION	PART NO

THIS DRAWING IS A CONTROLLED DOCUMENT. DIMENSIONING AND TOLERANCING PER ASME Y14.5M-2009.		DWN M.V.ESSEN 3 NOV '14	TE Connectivity LUMAWISE LED HOLDER Z50 1924		
DIMENSIONS: mm		CHK C.V.STEENDEREN 6 NOV '14			
TOLERANCES UNLESS OTHERWISE SPECIFIED:		APVD O.IEIJNSE 7 NOV '14			
0 PLC ±-	1 PLC ±-	PRODUCT SPEC 108-133008	NAME		
2 PLC ±-	3 PLC ±-	APPLICATION SPEC 114-32048	SIZE CAGE CODE DRAWING NO RESTRICTED TO		
4 PLC ±-	ANGLES ±-	WEIGHT -	A3 00779 C-2213580		
MATERIAL -	FINISH -	Customer Drawing	SCALE 2:1	SHEET 1 OF 3	REV B

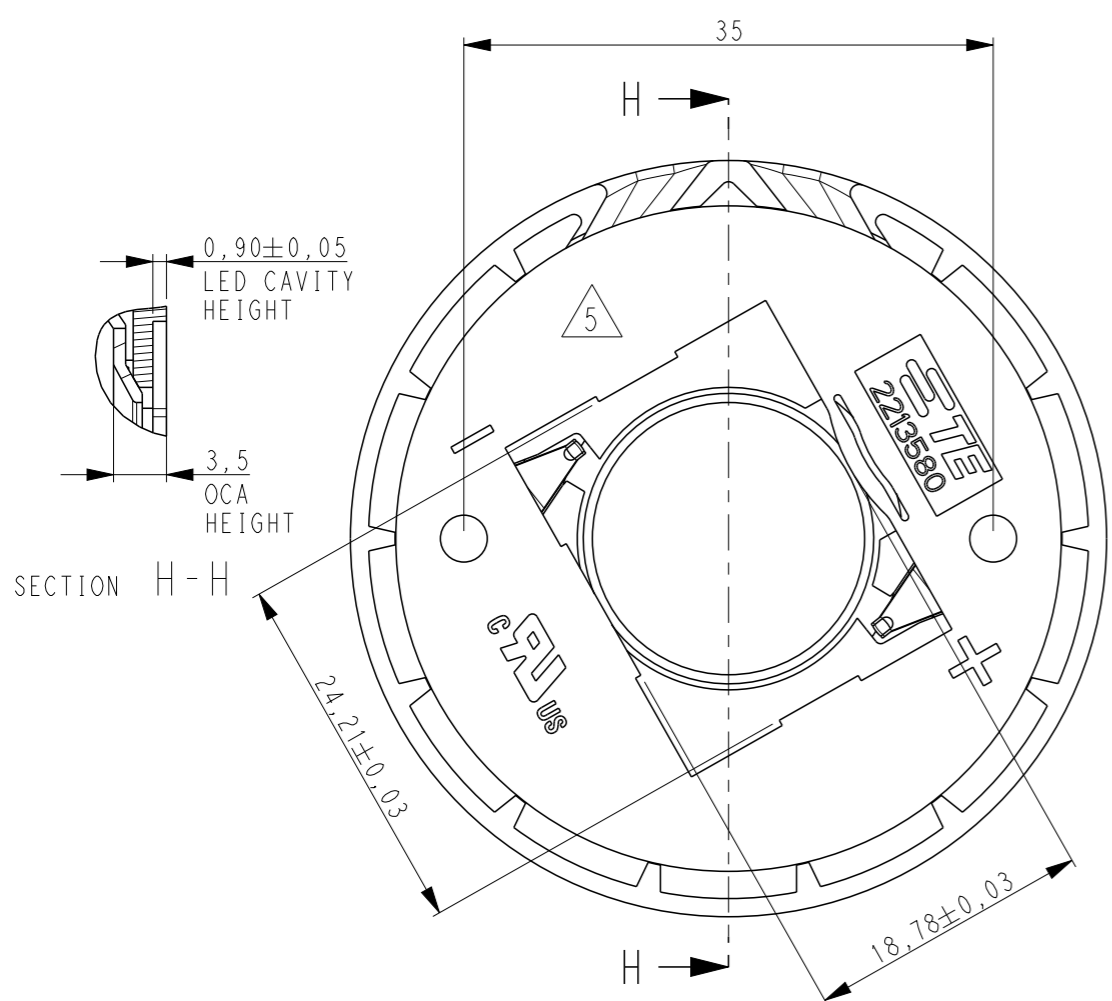
THIS DRAWING IS UNPUBLISHED. RELEASED FOR PUBLICATION
 © COPYRIGHT - BY TYCO ELECTRONICS CORPORATION. ALL RIGHTS RESERVED.

LOC	DIST	REVISIONS					
H	-	P	LTR	DESCRIPTION	DATE	DWN	APVD
			-	SEE SHEET 1	-	-	-



SCALE 3:2

2213580-2 AS SHOWN
 LUMAWISE LED HOLDER Z50 STANDARD PROFILE



THIS DRAWING IS A CONTROLLED DOCUMENT.		DWN M.V.ESSSEN 3 NOV'14	TE Connectivity	
DIMENSIONS: mm		CHK C.V.STEENDEREN 6 NOV'14		
TOLERANCES UNLESS OTHERWISE SPECIFIED:		APVD O.I.FIJNSE 7 NOV'14	NAME LUMAWISE LED HOLDER Z50 1924	
0 PLC ±- 1 PLC ±- 2 PLC ±- 3 PLC ±- 4 PLC ±- ANGLES ±-		PRODUCT SPEC 108-133008	RESTRICTED TO	
MATERIAL -		APPLICATION SPEC 114-32048	SIZE A3	CAGE CODE 00779
FINISH -		WEIGHT -	DRAWING NO C-2213580	
		Customer Drawing	SCALE -	SHEET 2 OF 3 REV B

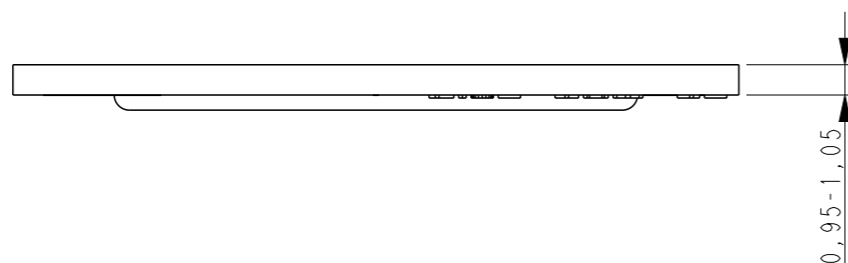
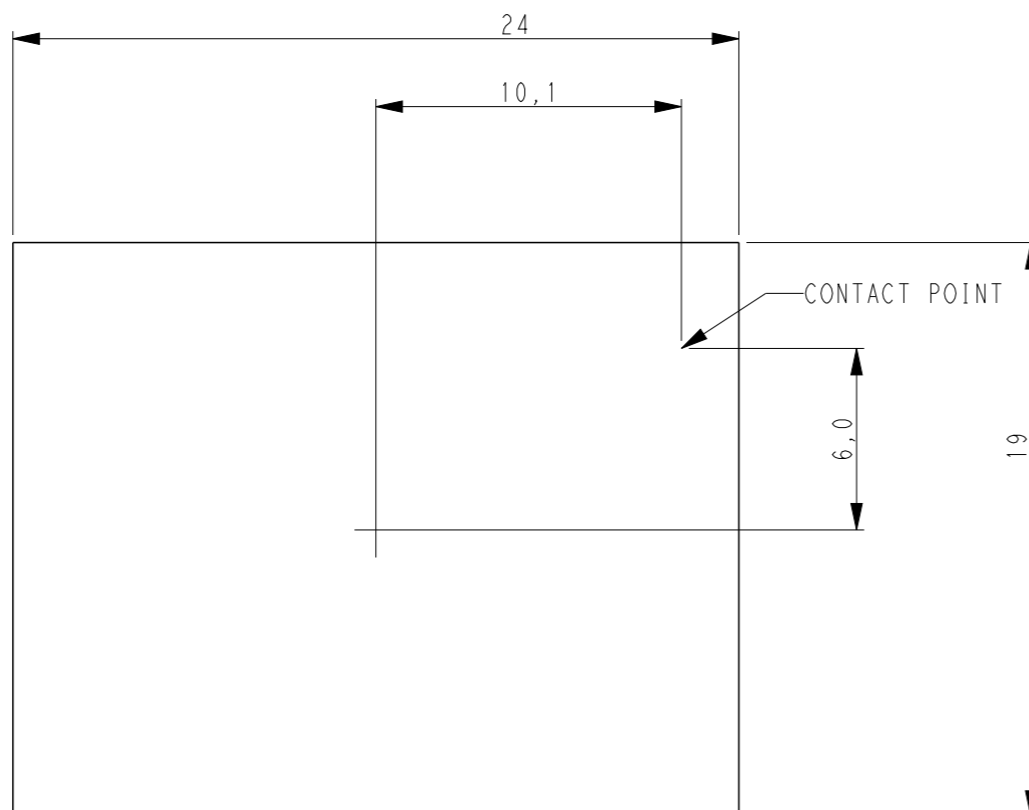
THIS DRAWING IS UNPUBLISHED.

RELEASED FOR PUBLICATION

© COPYRIGHT - BY TYCO ELECTRONICS CORPORATION. ALL RIGHTS RESERVED.

LOC	DIST	REVISIONS					
H	-	P	LTR	DESCRIPTION	DATE	DWN	APVD
			-	SEE SHEET 1	-	-	-

THE SKETCH BELOW IS SHOWING THE NOMINAL LED COB DIMENSIONS TO MATCH WITH THE LUMAWISE LED HOLDER Z50 1924.
FOR TECHNICAL DETAILS ABOUT A PROPER MATCH WITH A SPECIFIC LED COB ARRAY PLEASE CONTACT A REPRESENTATIVE AT TE-CONNECTIVITY.



RELEASED LEDs

NAME	TYPE	DATA SHEET	REVISION	TE PART NUMBER
NICHIA	NFDLJ130B	STS-DA1-3040		2213580-1/-2
NICHIA	NFDWJ130B	STS-DA1-3036		2213580-1/-2
NICHIA	NFCLJ108B	STS-DA1-3044		2213580-1/-2
NICHIA	NFCWJ108B	STS-DA1-3060		2213580-1/-2

THIS DRAWING IS A CONTROLLED DOCUMENT.

DIMENSIONS: mm	
MATERIAL	-

TOLERANCES UNLESS OTHERWISE SPECIFIED:	
0 PLC	±-
1 PLC	±-
2 PLC	±-
3 PLC	±-
4 PLC	±-
ANGLES	±-
FINISH	-

DWN	M.V.ESSSEN	3 NOV '14
CHK	C.V.STEENDEREN	6 NOV '14
APVD	O.IEIJNSE	7 NOV '14
PRODUCT SPEC	108-133008	
APPLICATION SPEC	114-32048	
WEIGHT	-	

		TE Connectivity	
		NAME LUMAWISE LED HOLDER Z50 1924	
SIZE	CAGE CODE	DRAWING NO	RESTRICTED TO
A3	00779	©-2213580	-