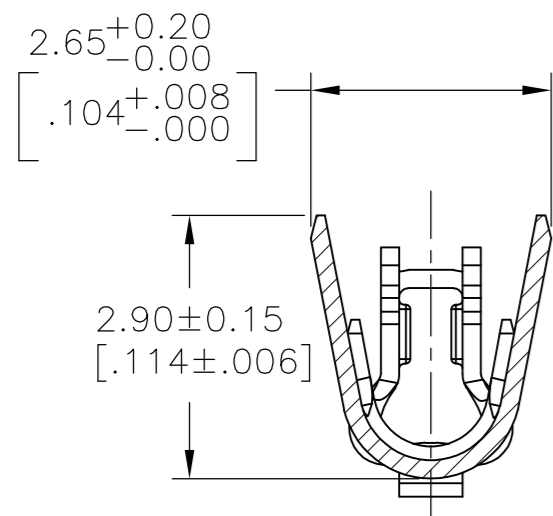
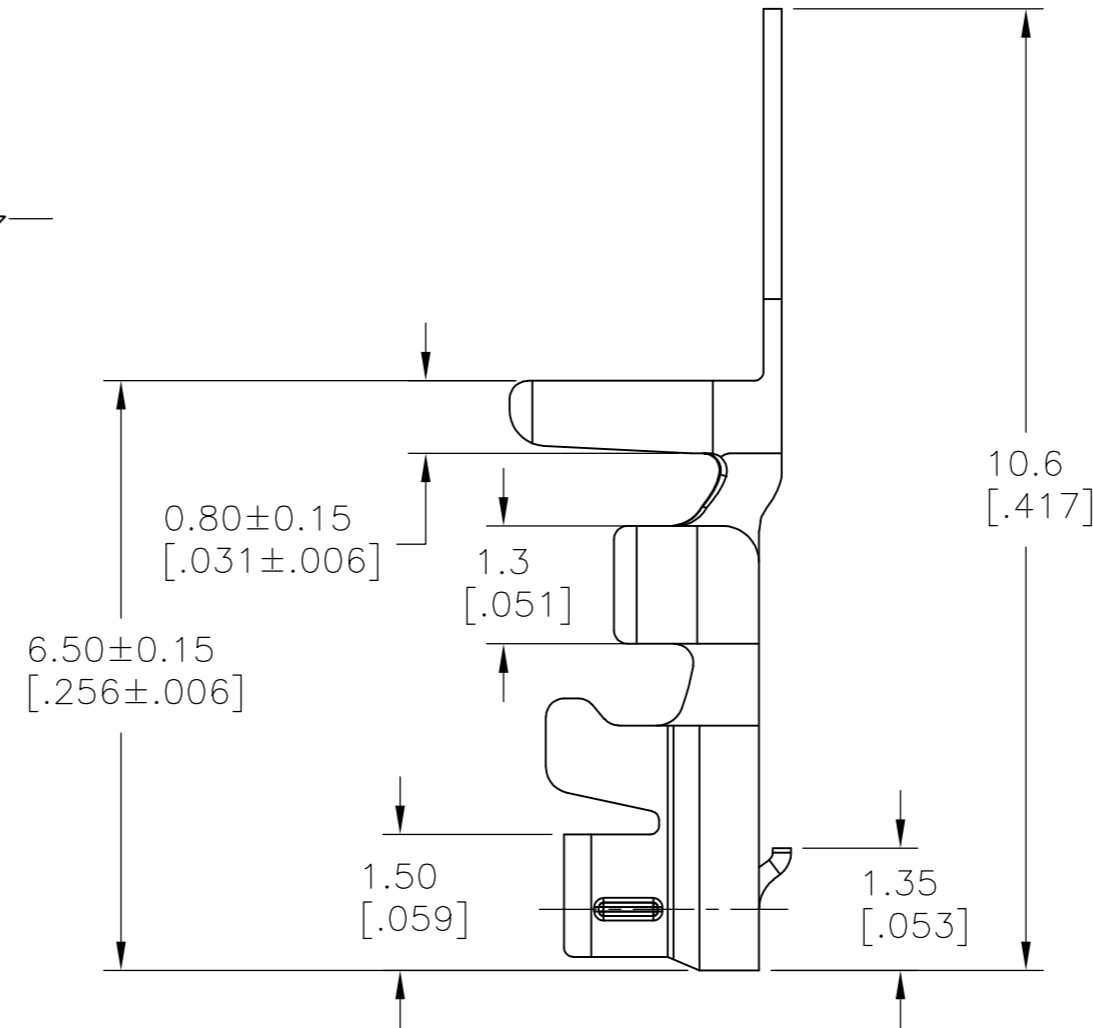
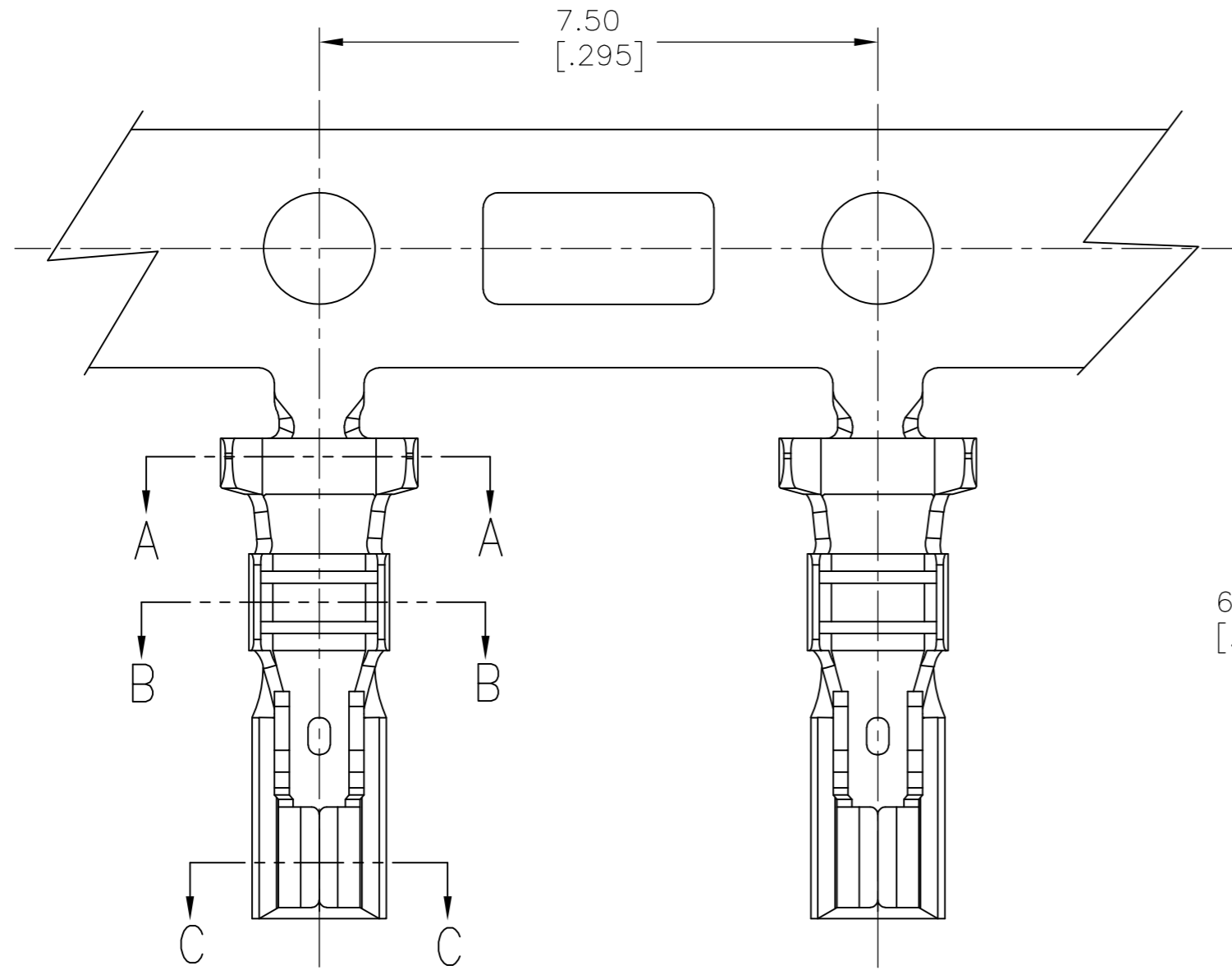


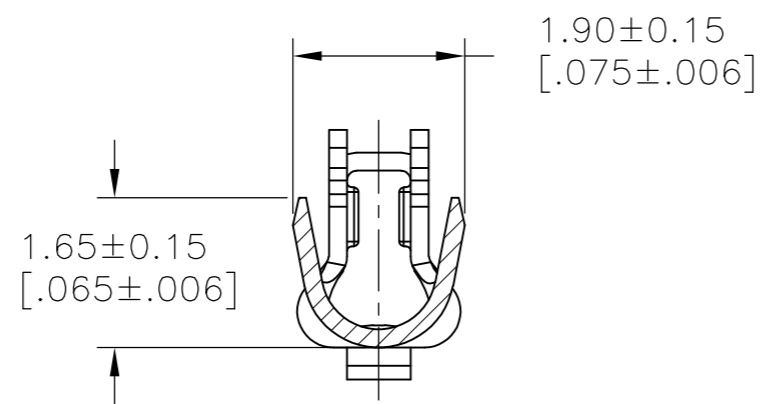
THIS DRAWING IS UNPUBLISHED. RELEASED FOR PUBLICATION  
 © COPYRIGHT - By - ALL RIGHTS RESERVED.

LOC	DIST	REVISIONS					
		P	LTR	DESCRIPTION	DATE	DWN	APVD
GP	00	D1		REVISED PER ECR-13-000844	17JAN13	KH	TM

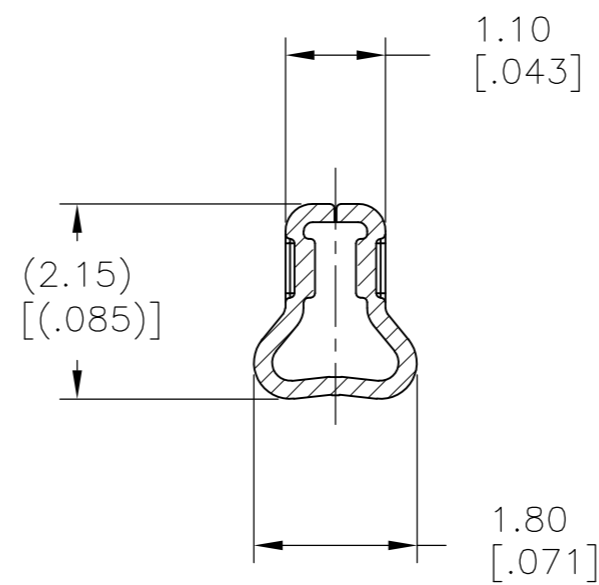
- 1 MATERIAL: PHOSPHOR BRONZE
- 2 FINISH: POST TIN PLATE OVER NICKEL
- 3 DESIGNED FOR USE IN HOUSINGS 1969442-( ) OR 2110992-( ).
- 4 CONTACTS COATED WITH ANTI-FRETTING LUBRICANT.
- 5 CONTACT IS RoHS COMPLIANT.
- 6 WIRE RANGE: 0.13-0.30mm<sup>2</sup> [22-26 AWG] STRANDED.
- 7 INSULATION RANGE: 1.3-1.7 [.051-.067]
- 8 FINISH: PRE-TIN



SEC A-A



SEC B-B



SEC C-C

8	1	2110989-3
2	1	2110989-1
FINISH	MATERIAL	PART NUMBER

THIS DRAWING IS A CONTROLLED DOCUMENT.		DWN	C.ROHLER	30SEP2009		TE Connectivity							
DIMENSIONS: mm [INCHES]		CHK	C.ROHDE	30SEP2009		NAME							
TOLERANCES UNLESS OTHERWISE SPECIFIED:		APVD	C.ROHDE	30SEP2009		PRODUCT SPEC							
0 PLC ± - 1 PLC ± - 2 PLC ± 0.13[.005] 3 PLC ± - 4 PLC ± - ANGLES ± -		APPLICATION SPEC		108-2418		CONTACT, ECONOMY POWER 2.5							
MATERIAL	1	FINISH	SEE TABLE	WEIGHT	-	SIZE	A2	CAGE CODE	00779	DRAWING NO	C=2110989	RESTRICTED TO	-
CUSTOMER DRAWING						SCALE	12:1	SHEET	1 of 1	REV	D1		