

DRAWING MADE IN THIRD ANGLE PROJECTION

THIS DRAWING IS UNPUBLISHED. RELEASED FOR PUBLICATION BY AMP INCORPORATED. ALL INTERNATIONAL RIGHTS RESERVED.

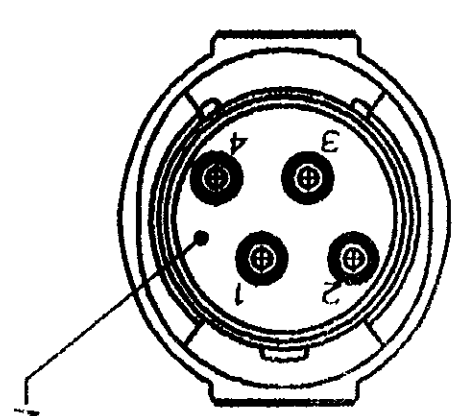
MOD 23 LOC BD DIST 39

REVISIONS

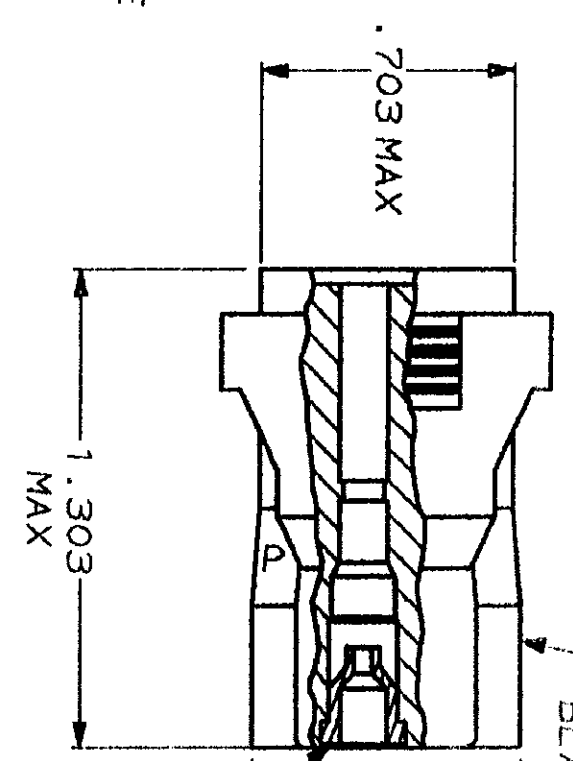
NO	DATE	APPRO	DESCRIPTION
1	8-15-90	KJB	REDRAWN AND REV PER ECN BD4183

DO NOT SCALE PRINT. UNLESS SPECIFIED DIMENSIONS IN INCHES TOLERANCES ON: 1 P/LC DEC # - .010 2 P/LC DEC # - .015 3 P/LC DEC # - .020 ANGLES -

AMP 1470-15 REV 3-89



MATING FACE



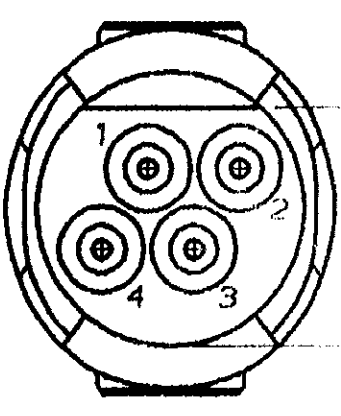
HOUSING MATERIAL: THERMOPLASTIC BLACK

.703 MAX

1.303 MAX

.712 ± .020

DISCRETE WIRE SEALS MATERIAL: ELASTOMER BLACK



.617 ± .020

1. WIRE INSULATION SEALING RANGE .070-.130 DIA.
2. THIN MEMBRANE PERMISSIBLE ON SMALL DIAMETER OF WIRE SEALS.

DR 8-15-90 J. Sullivan 95	CHK <i>J. Sullivan</i> 1-18-91	APPD <i>J. Sullivan</i> 1-18-91	NAME <b>AMP</b> AMP INCORPORATED Harrisburg, Pa. 17105
MATERIAL SEE CALLOUT		PRODUCT SPEC 1-15-91	SIZE <b>B</b>
FINISH -		APPLICATION SPEC -	FSCH NO <b>00779</b>
WEIGHT -		SCALE 2:1	DRAWING NO <b>207571</b>
		SHEET 1 OF 1	

207571-1  
PART NUMBER