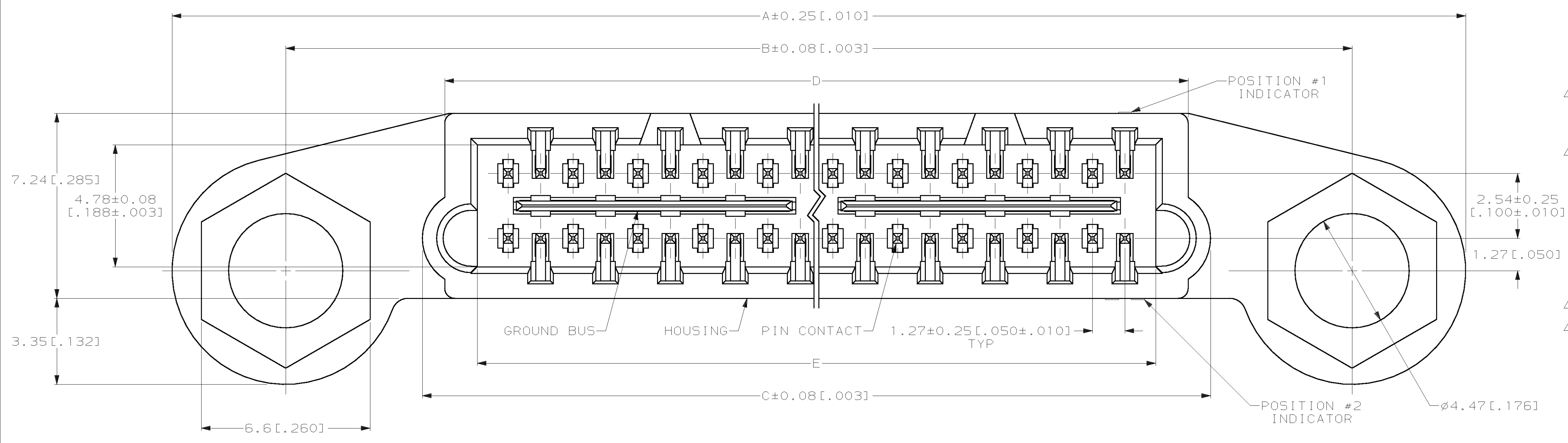
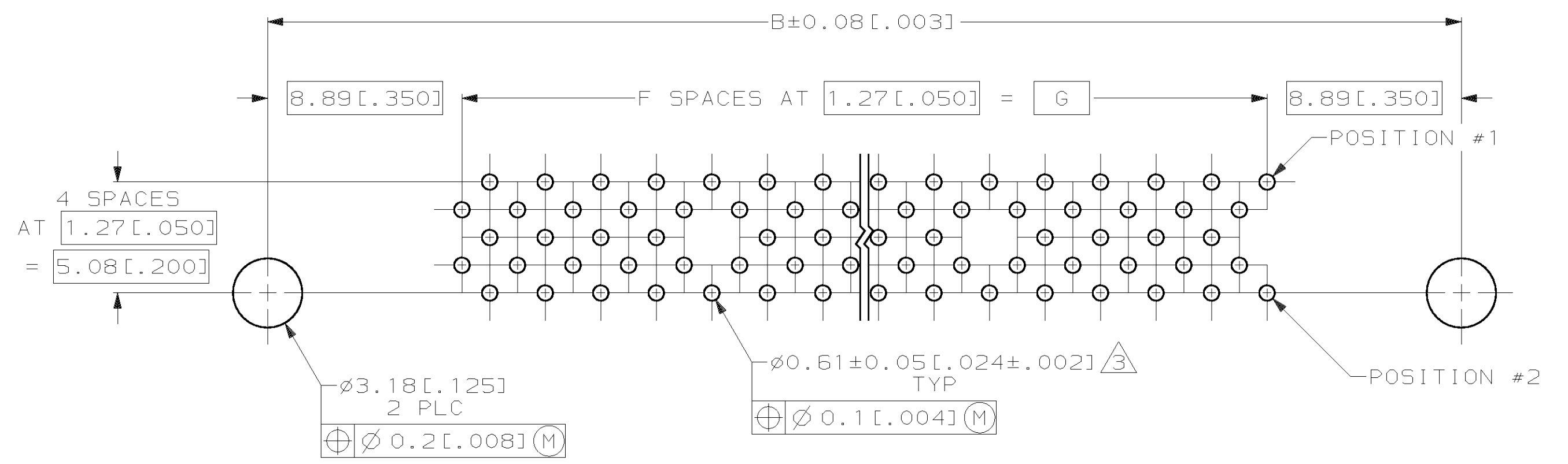
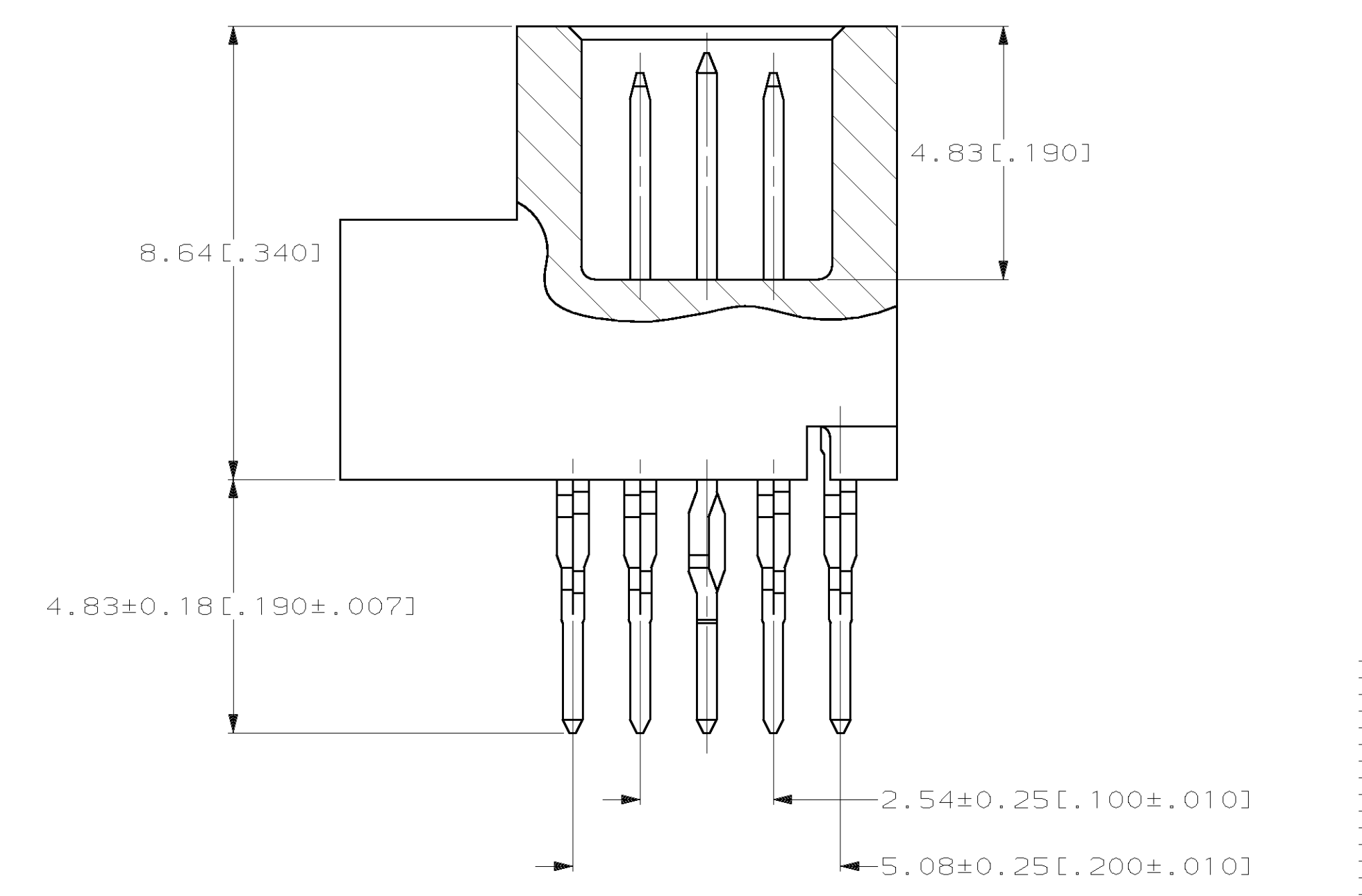
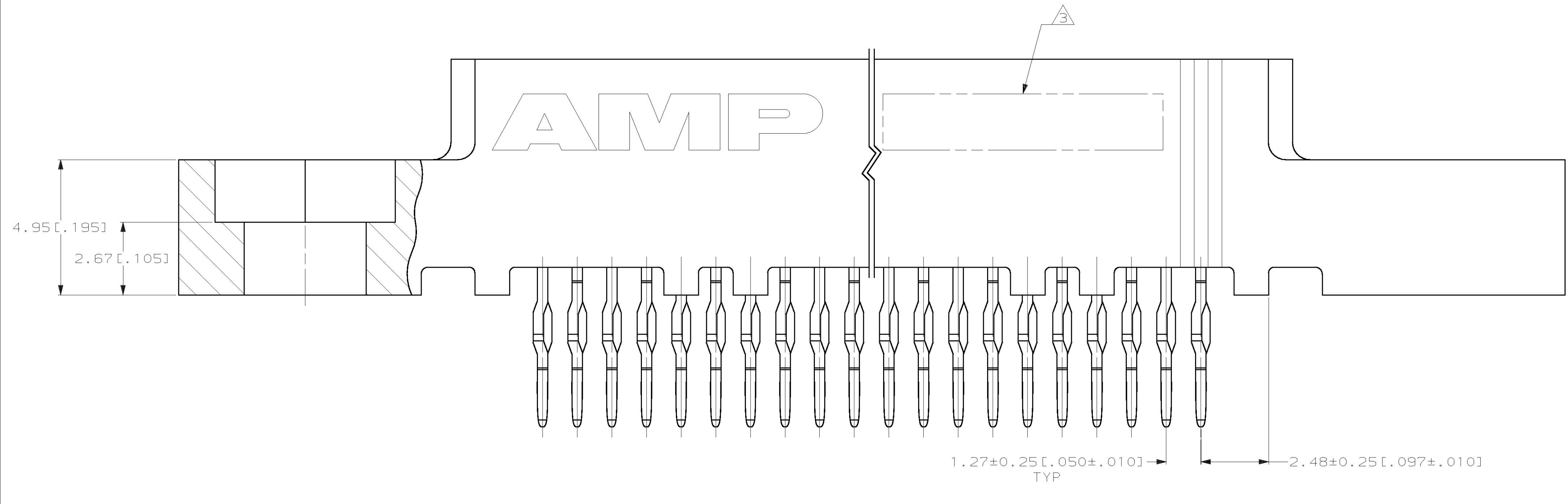


LOC		DIST		P		F		ZONE		LTR		REVISIONS			
AD	47											DESCRIPTION	DATE	APPD	
												N	REVISED PER 0512-0476-02	24FEB03	DRD



- △ HOUSING: HIGH TEMPERATURE THERMOPLASTIC, COLOR NATURAL.
- PIN CONTACTS: PHOSPHOR BRONZE.
- GROUND BUSES: PHOSPHOR BRONZE.
- △ PIN CONTACTS: 0.00076[.000030] MIN GOLD IN CONTACT AREA, 0.00063-0.00191[.000025-.000075] TIN-LEAD ON SOLDER TAIL, ALL OVER 0.00127-0.00254[.000050-.000100] NICKEL ON ENTIRE CONTACT.
- GROUND BUSES: 0.00076[.000030] MIN GOLD IN CONTACT AREA, 0.00063-0.00191[.000025-.000075] TIN-LEAD ON SOLDER TAIL, ALL OVER 0.00127-0.00254[.000050-.000100] NICKEL ON ENTIRE BUS.
- △ DATE CODE MARKED IN AREA INDICATED.
- △ 0.701[.0276] DIA HOLE, PLATE WITH 0.0076-0.0254[.00030-.00100] TIN-LEAD OVER 0.025-0.038[.0010-.0015] COPPER, 0.61±0.05[.024±.002] DIA HOLE AFTER PLATING.



RECOMMENDED PC BOARD HOLE LAYOUT
 (VIEWED FROM CONNECTOR SIDE)
 SCALE 5:1

OBSOLETE	87.63[3.450]	69	90.12[3.548]	92.58[3.645]	94.34[3.714]	105.41[4.150]	114.3[4.500]	140	536276-6
OBSOLETE	151.13[5.950]	119	153.62[6.048]	156.08[6.145]	157.84[6.214]	168.91[6.650]	177.8[7.000]	240	536276-5
OBSOLETE	128.43[5.450]	109	104.92[5.548]	143.38[5.645]	145.14[5.714]	156.21[6.150]	165.1[6.500]	220	536276-4
	125.73[4.950]	99	128.22[5.048]	130.68[5.145]	132.44[5.214]	143.51[5.650]	152.4[6.000]	200	536276-3
OBSOLETE	113.03[4.450]	89	115.52[4.548]	117.98[4.645]	119.74[4.714]	130.81[5.150]	139.7[5.500]	180	536276-2
OBSOLETE	100.33[3.950]	79	102.82[4.048]	105.28[4.145]	107.04[4.214]	118.11[4.650]	127[5.000]	160	536276-1
		G	F	E	D	C	B	A	NO OF POS

DO NOT SCALE PRINT. UNLESS SPECIFIED DIMENSIONS IN mm [INCHES] TOLERANCES ON:	DR 2-12-92 J.GERACE
2 PLC DEC ± -	CHK 2-12-92 J.GERACE
3 PLC DEC ± 0.13 [.005]	APPD 2-12-92 D.SINISI
ANGLES ± -	APPD 2-12-92 C.LINDGREN
MATERIAL	PRODUCT SPEC 108-1272
FINISH	APPLICATION SPEC 114-11005
	WEIGHT -

AMP AMP Incorporated Harrisburg, PA 17105-3608	
NAME	PLUG ASSEMBLY WITH GUIDES, 10.92 [.430] STACK, 4.83[.190] ACTION PIN TAIL, BOARD TO BOARD, MICRO-STRIP
SIZE	D 00779
CAGE CODE	536276
DRAWING NO	536276
SCALE	10:1
SHEET	1 OF 1

