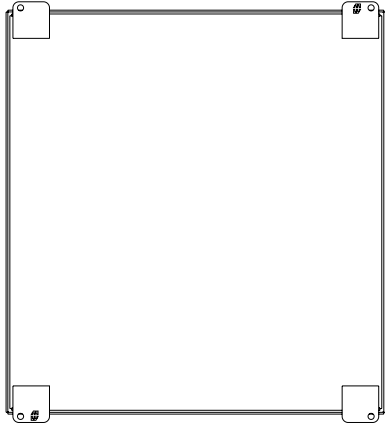


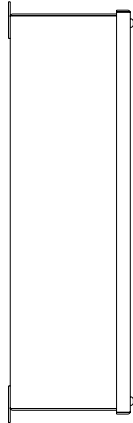


**PART No. 1437-36**

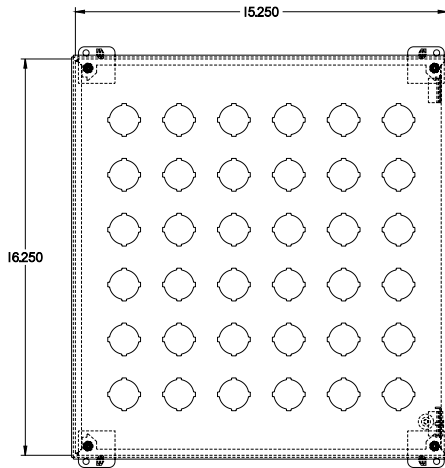
for more information visit  
[www.hammfg.com](http://www.hammfg.com)  
Data subject to change without notice  
Isometric drawing Not to Scale



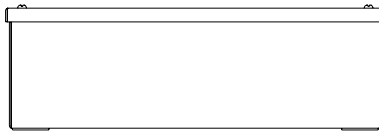
BACK VIEW



LEFT SIDE VIEW



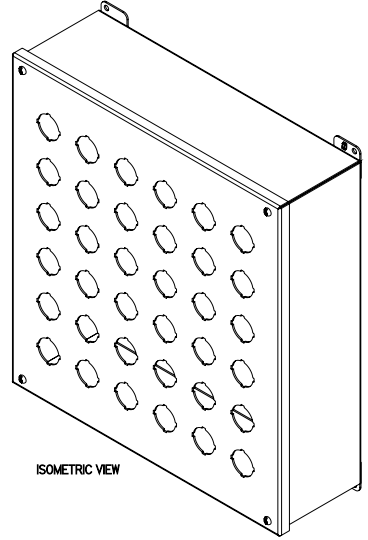
FRONT VIEW



BOTTOM VIEW



TOP VIEW



ISOMETRIC VIEW