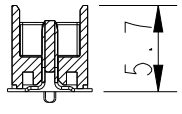
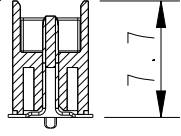
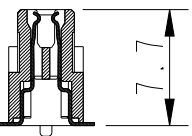
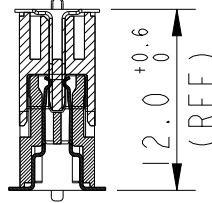
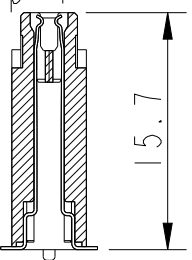
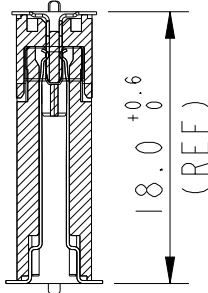


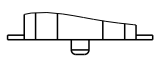
10129305- AA B C D E G FF

AA	NO. OF POSITIONS	B (NOTE 7)	
		2	4
06	2X30	YES	YES
08	2X40	YES	YES
10	2X50	NA	YES
12	2X60	NA	YES

B	FOR PLUG, SEE DWG. NO. 10129304	
COMBINATION OF MATED HEIGHT	Plug 2 	Plug 4 
Recep 2 	NA	Recep 4 
Recep 4 	Recep 2 	NA

G	DATE CODE
/	NOT PRINT DATE CODE
P	PRINT DATE CODE

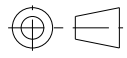
E	PACKAGING
0	TUBE WITHOUT METAL CAP
2	TRAY WITHOUT CAP
9	TUBE WITH METAL CAP
6	T&R WITHOUT METAL CAP (WITH KAPTON TAPE)

D	PLASTIC PEG	FEATURE
0	YES	

C	PLATING ON CONTACT AREA	FF
4	GOLD 0.2um MIN / PURE TIN 2um MIN (LEAD FREE) NICKEL UNDERPLATE OVERALL 1.27um MIN	LF
5	GOLD 0.38um MIN / PURE TIN 2um MIN (LEAD FREE) NICKEL UNDERPLATE OVERALL 1.27um MIN	LF
6	GOLD FLASH (0.1um MIN) OVER PALLADIUM-NICKEL 0.76um MIN / PURE TIN 2um MIN (LEAD FREE) NICKEL UNDERPLATE OVERALL 1.27um MIN	LF

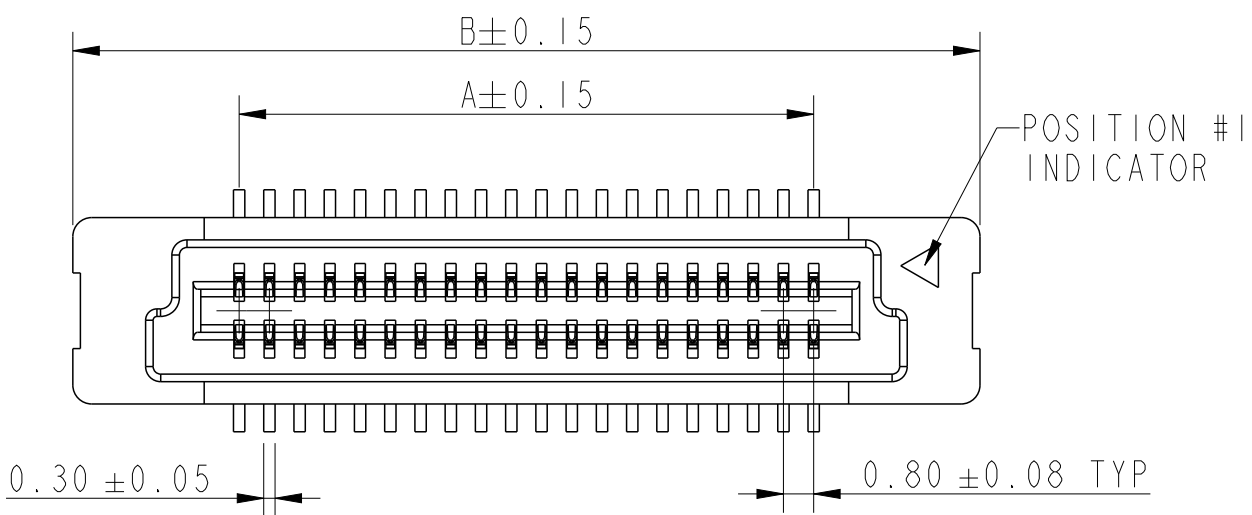
NOTE:

- MATERIAL:
HOUSING: HIGH TEMPERATURE THERMOPLASTIC, NATURAL, UL94 V-0
TERMINAL: COPPER ALLOY
- PLATING: AS SHOWN IN TABLE.
- SEE GS-12-1229 FOR PRODUCT SPEC.
- THIS PRODUCT MEETS THE EUROPEAN UNION DIRECTIVES AND OTHER COUNTRY REGULATIONS AS DESCRIBED IN GS-22-008.
- THE HOUSING WILL WITHSTAND EXPOSURE UP TO 260~ PEAK TEMPERATURE FOR 30 SECONDS IN A CONVECTION, INFRA-RED OR VAPOR PHASE REFLOW OVEN.
- THE P/N 10129305-*****LF DOES NOT PRINT DATE CODE.
THE P/N 10129305-*****PLF NEED PRINT DATE CODE.
- REMARK "YES" MEANS TOOLING CAN SUPPORT THIS TYPE.
REMARK "NA" MEANS NO TOOLING CAN SUPPORT THIS TYPE.

spec ref	dr	Guo-Min Sun	2014/07/28	projection	mm	size	A3	scale	3:1	
tolerance std	eng	Guo-Min Sun	2014/12/19		← →	ecn no	ELX-N-19440-1	rel level	Released	
surface ✓	chr	-	-							product family
	appr	Tim Yao	2014/12/22	title		BERGSTAK 0.8mm BTB	dwg no	10129305	rev	B
	linear	0.X	±0.20	www.fci.com	cat. no.	-	Product - Customer Drw	sheet 1 of 4		
	angular	0°	±3°							

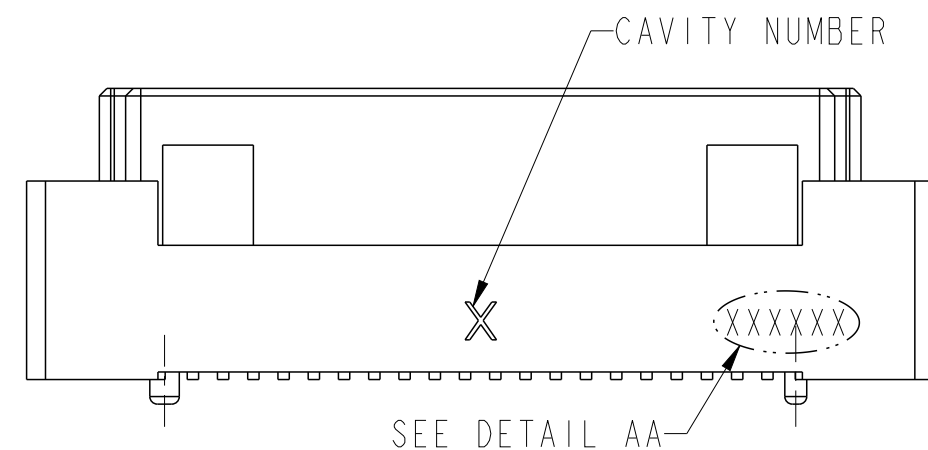
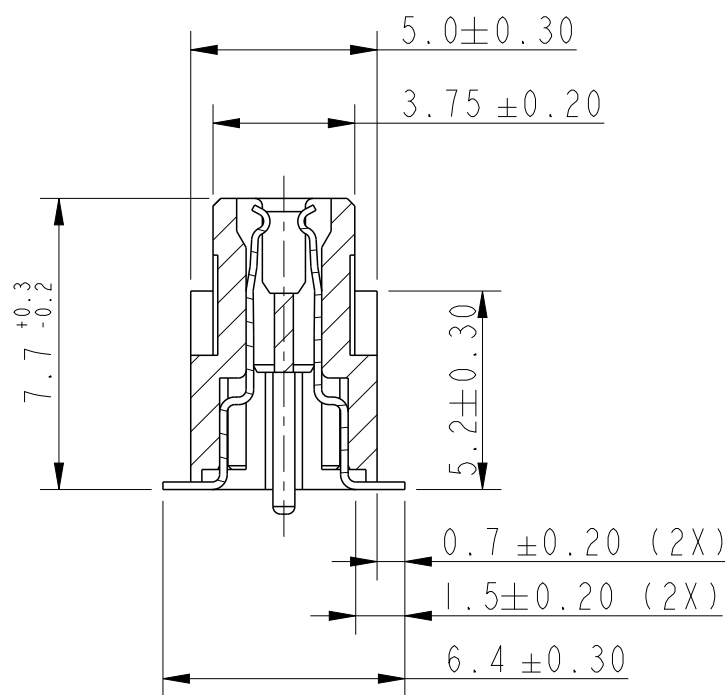
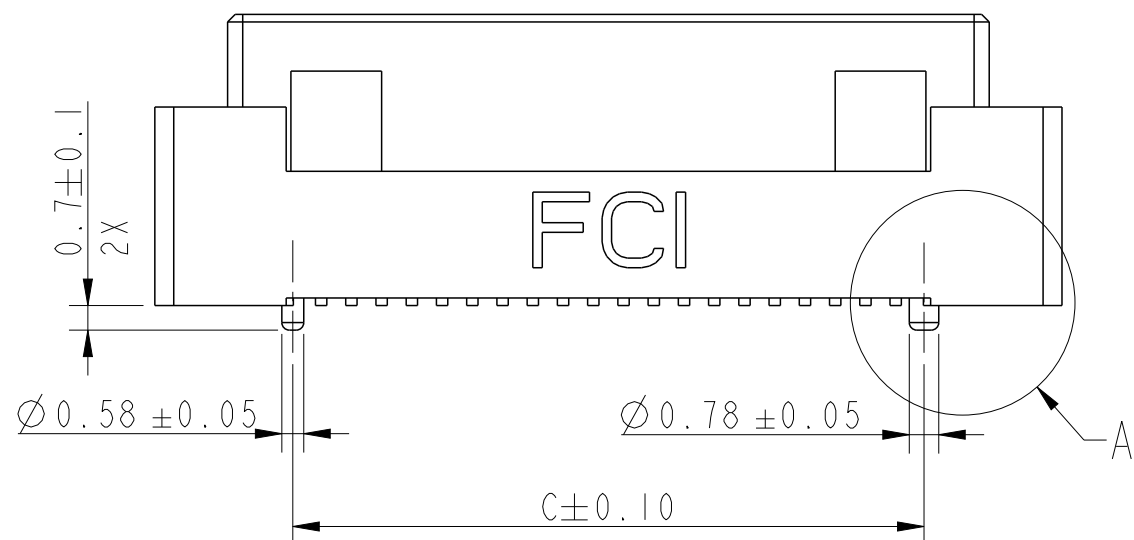
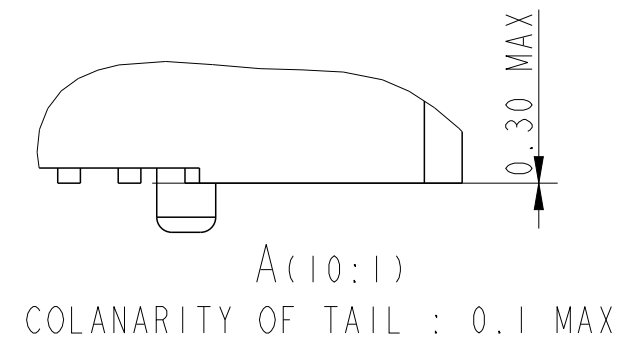


PRODUCT NO.	NO. OF POSITIONS	DIMENSION			PACKAGING INFORMATION(SHEET 4)		
		A	B	C	CARRIER TAPE WIDTH / PITCH	REEL WIDTH (DIM W)	Q'TY FOR ONE REEL / CARTON
10129305-062XXX	2X30	23.2	32.0	24.7	44.0/16.0	50.4	400
10129305-082XXX	2X40	31.2	40.0	32.7	56.0/16.0	62.4	400
10129305-102XXX	2X50	39.2	48.0	40.7	72.0/16.0	78.4	400
10129305-122XXX	2X60	47.2	56.0	48.7	72.0/16.0	78.4	400



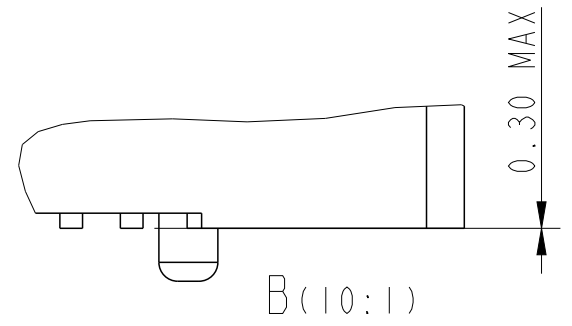
DATE CODE: XX XX XX
 DAY(01~31)
 MONTH(01~12)
 YEAR(00~99)

DETAIL AA



dr Guo-Min Sun 2014/07/28		projection	mm	size A3	scale 5:1
eng Guo-Min Sun 2014/12/19				ecn no ELX-N-19440-1	
chr -				rel level Released	
appr Tim Yao 2014/12/22		product family			
		title BERGSTAK 0.8mm BTB RECEPTACLE ASSY		dwg no 10129305	rev B
www.fci.com		cat. no.	Product - Customer Drw		sheet 2 of 4

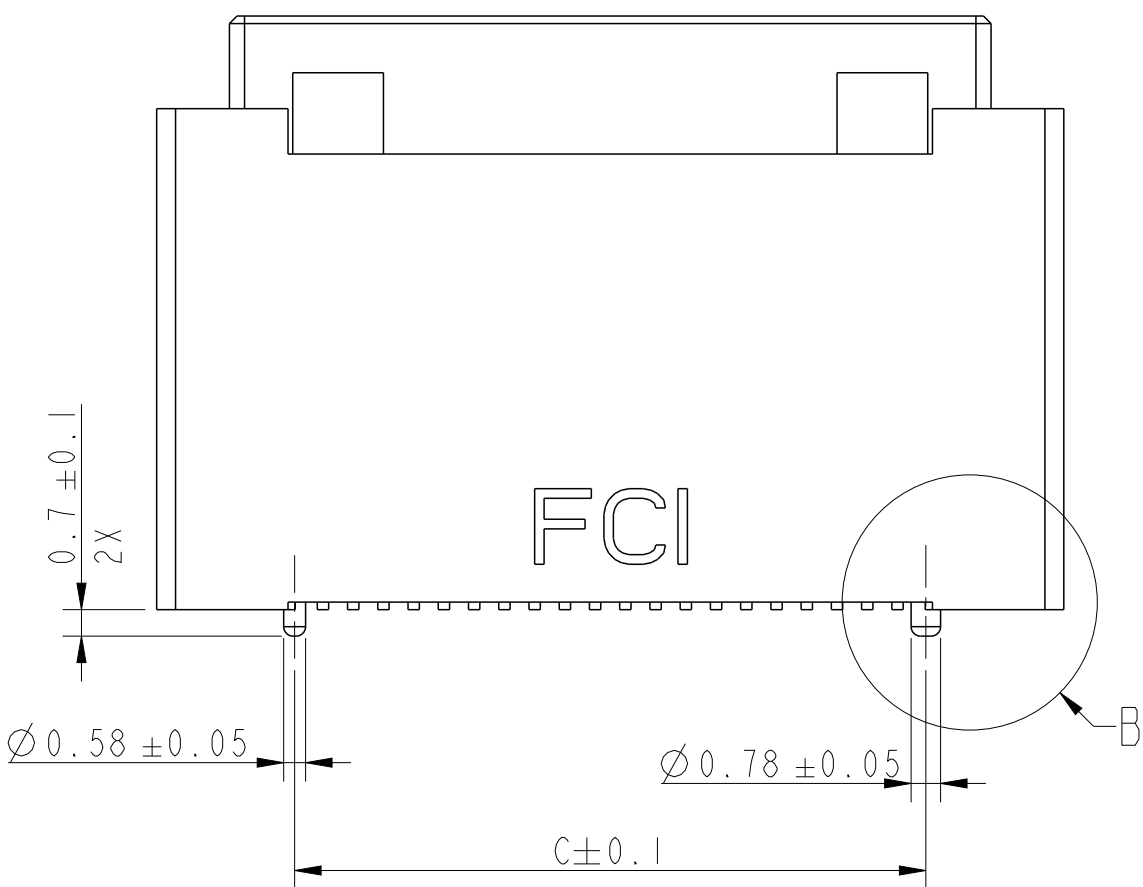
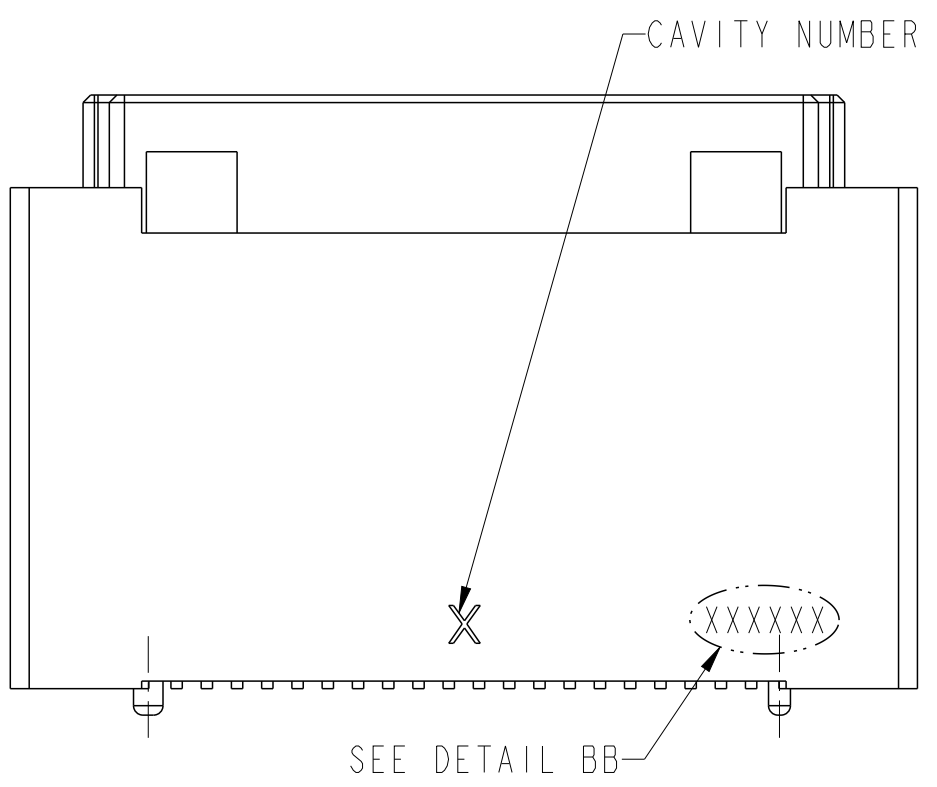
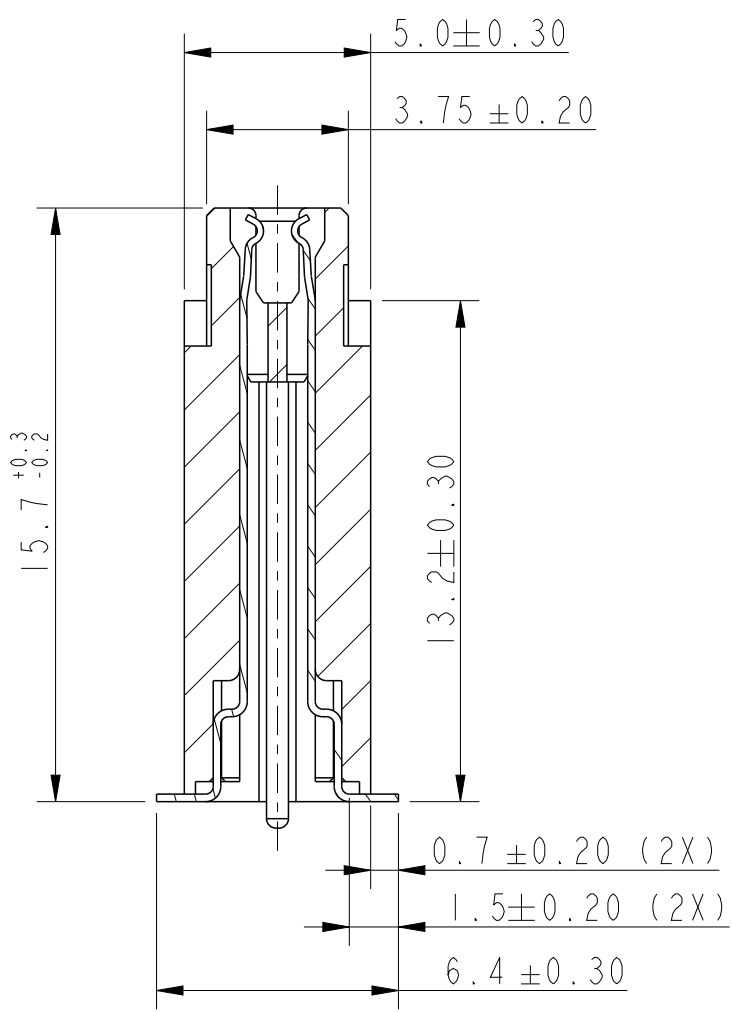
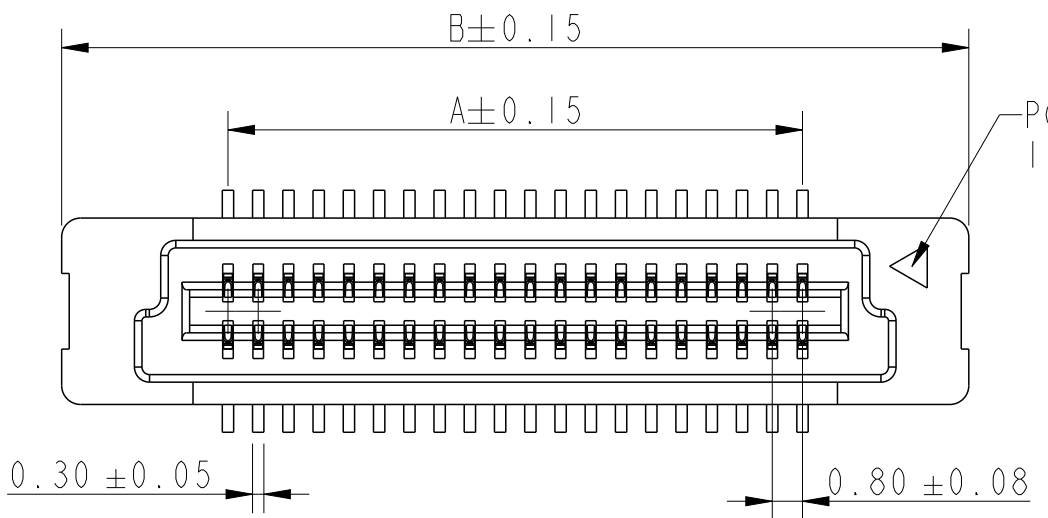
PRODUCT NO.	NO. OF POSITIONS	DIMENSION			PACKAGING INFORMATION(SHEET 4)		
		A	B	C	CARRIER TAPE WIDTH / PITCH	REEL WIDTH (DIM W)	Q'TY FOR ONE REEL / CARTON
10129305-064XXX	2X30	23.2	32.0	24.7	44.0/16.0	50.4	200
10129305-084XXX	2X40	31.2	40.0	32.7	56.0/16.0	62.4	200
10129305-104XXX	2X50	39.2	48.0	40.7	72.0/16.0	78.4	200
10129305-124XXX	2X60	47.2	56.0	48.7	72.0/16.0	78.4	200



DATE CODE: XX XX XX
 DAY(01~31)
 MONTH(01~12)
 YEAR(00~99)

COLANARITY OF TAIL : 0.1 MAX

DETAIL BB



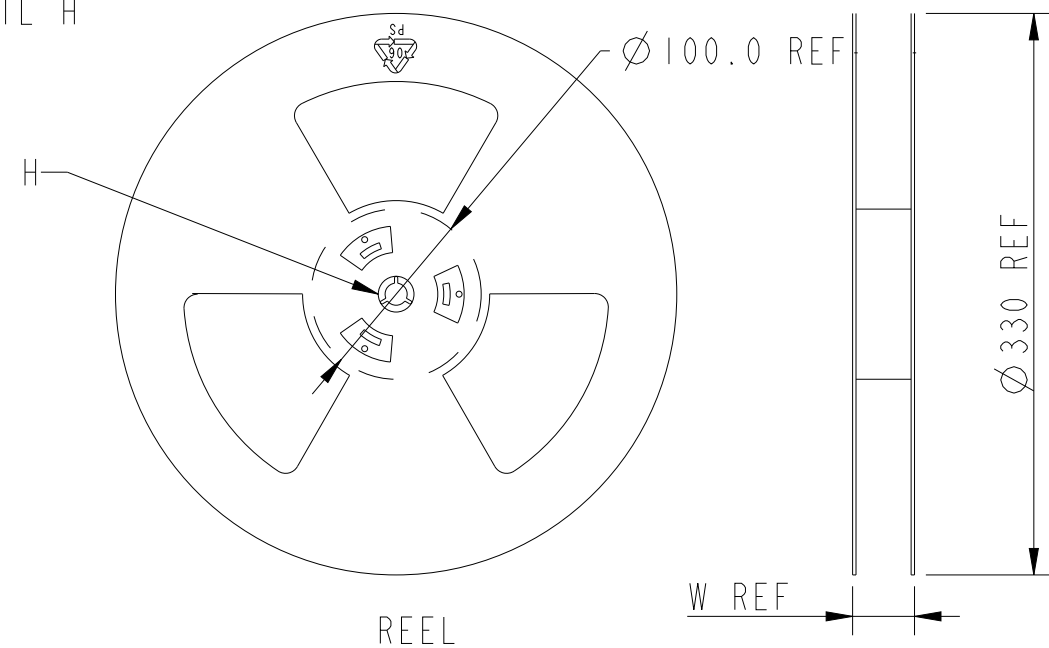
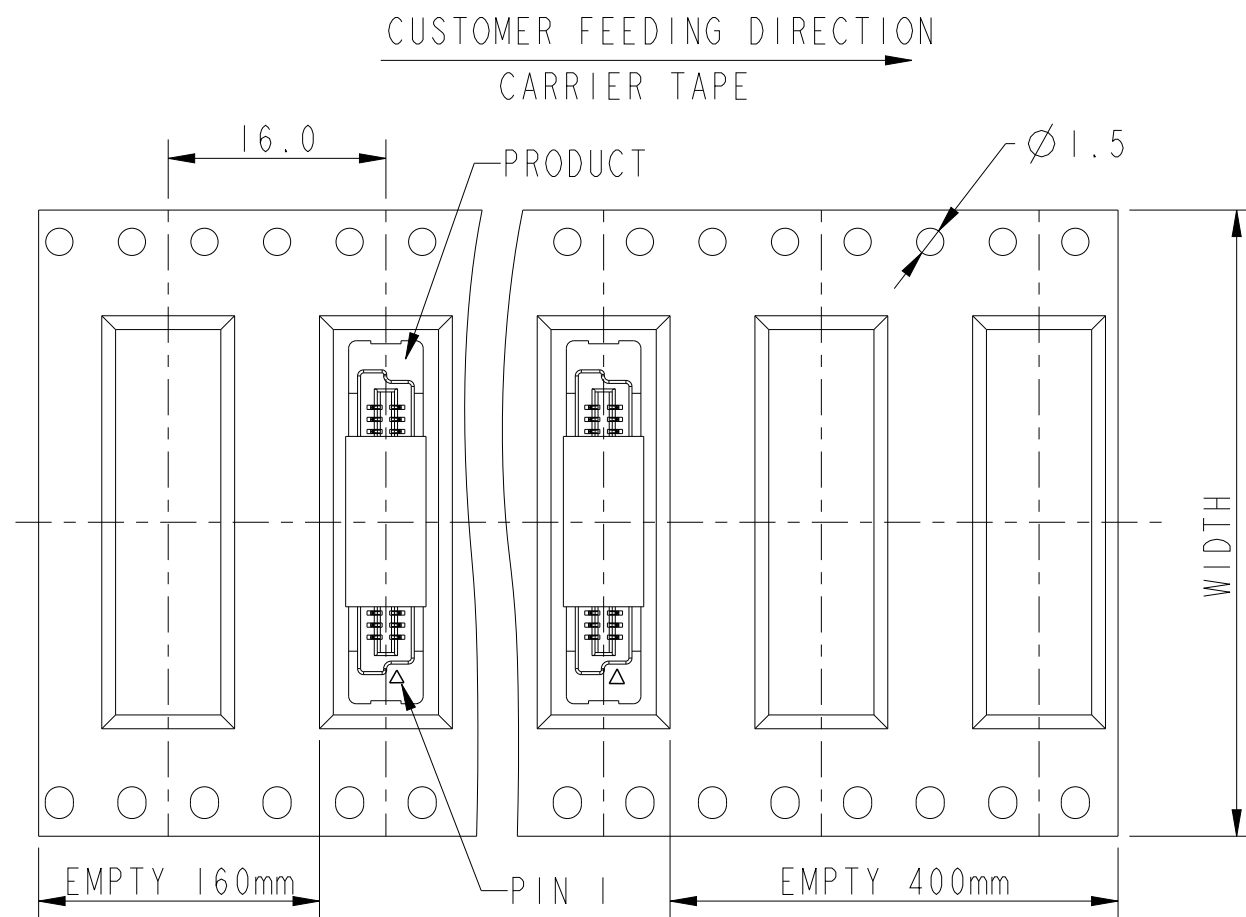
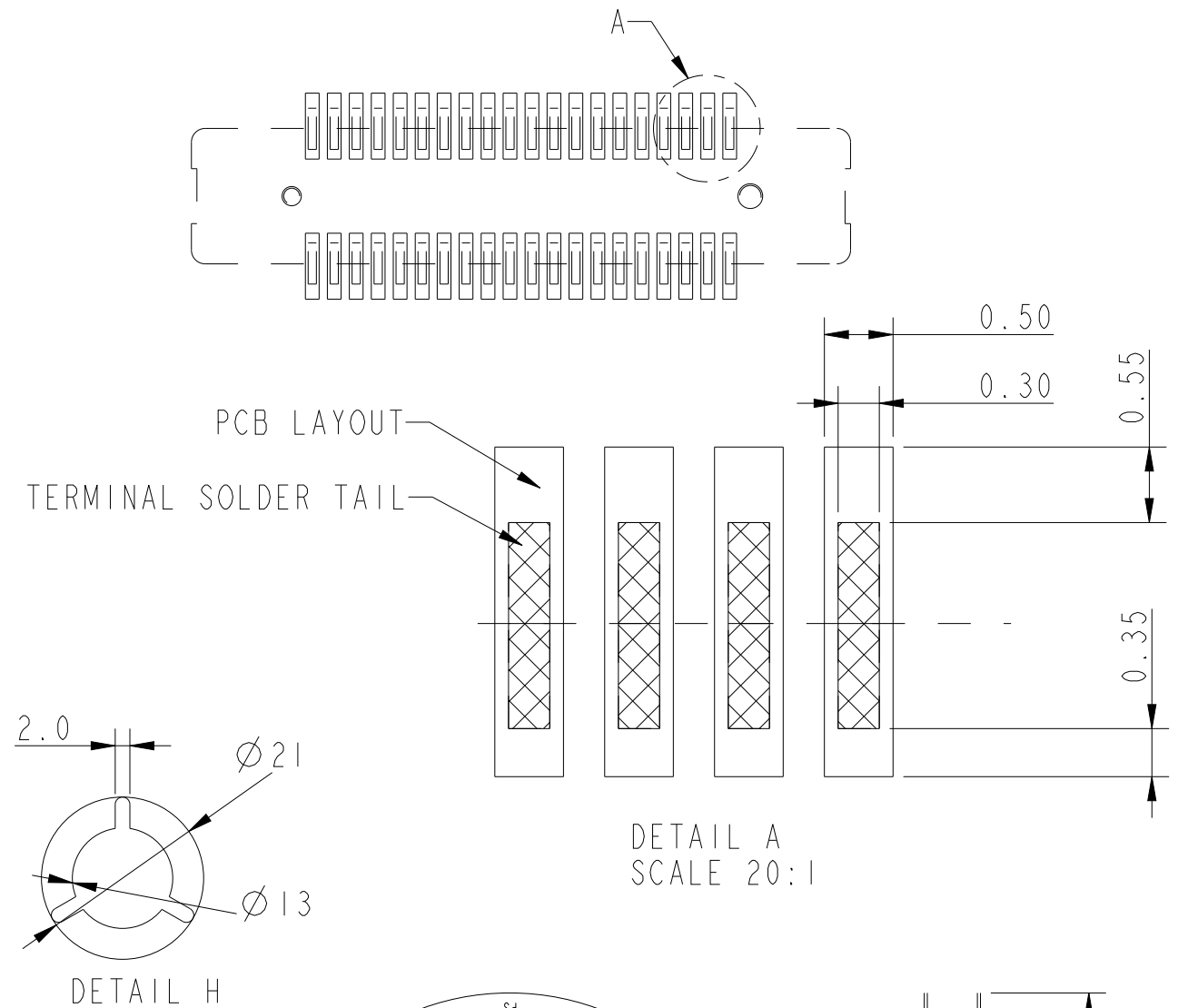
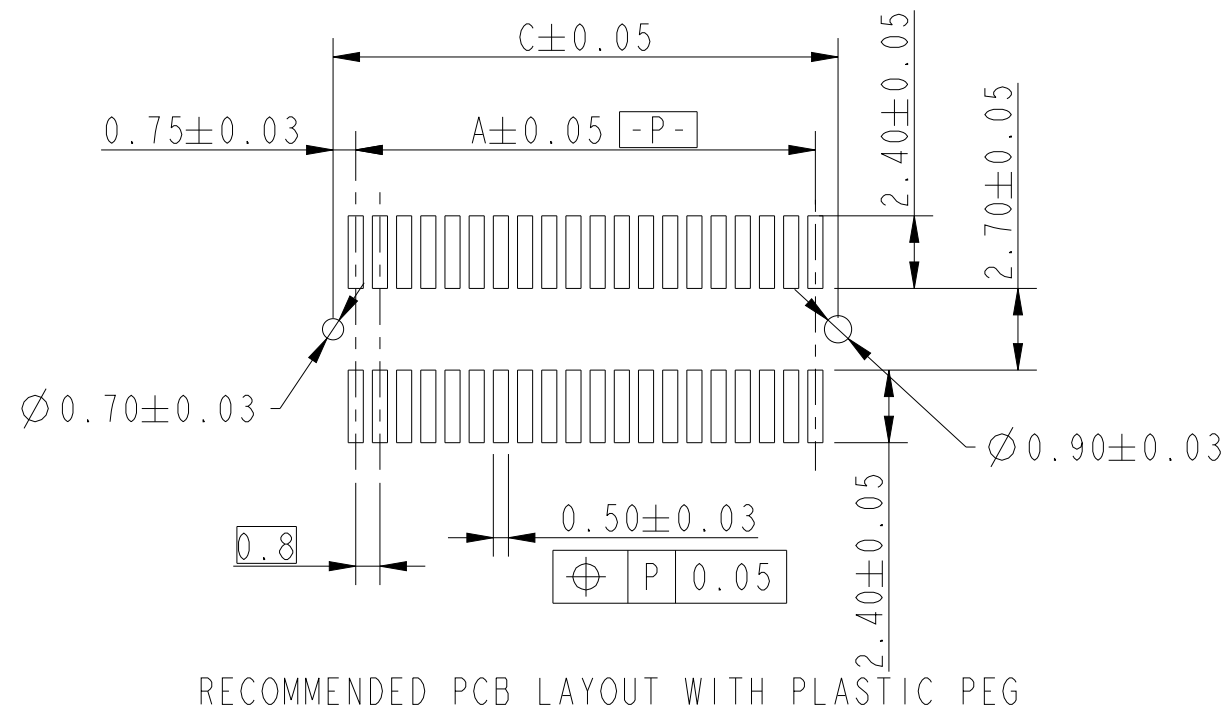
RECEPTACLE 4

dr	Guo-Min Sun	2014/07/28	projection	mm	size	A3	scale	5:1
eng	Guo-Min Sun	2014/12/19			ecn no ELX-N-19440-1			
chr	-	-			rel level Released			
appr	Tim Yao	2014/12/22	product family					

	title	BERGSTAK 0.8mm BTB	dwg no	10129305	rev	B
	www.fci.com	cat. no.	-	Product - Customer Drw	sheet 3 of 4	

Copyright FCI.

APPLY TO RECEPTACLE 2 & 4



dr	Guo-Min Sun	2014/07/28	projection	mm	size	A3	scale	2:1
eng	Guo-Min Sun	2014/12/19			ecn no			
chr	-	-			ELX-N-19440-1			
appr	Tim Yao	2014/12/22	product family	-	rel level			
			title BERGSTAK 0.8mm BTB RECEPTACLE ASSY		dwg no 10129305		rev B	
www.fci.com			cat. no.		-		Product - Customer Drw	
			-		-		sheet 4 of 4	